

2014

a dec®



A-DEC DENTAL EQUIPMENT

1.800.547.1883 Within USA/Canada
1.503.538.7478 Outside USA/Canada

Authorized Dealer Catalog

Q3 Edition – [View current catalog online](#)

Unpriced

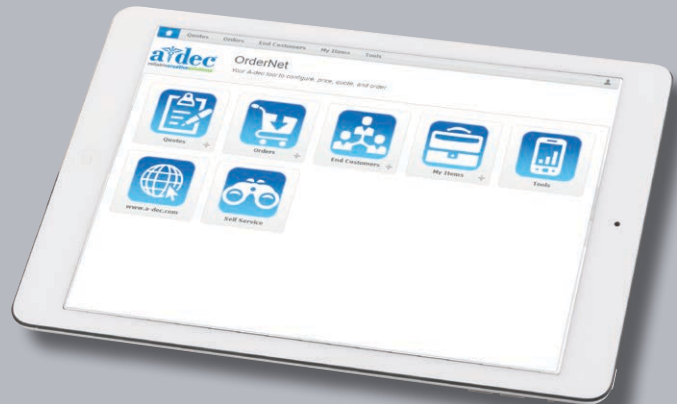
DEALER TOOLS FOR YOU



OrderNet

Use A-dec's new visual ordering tool to configure, price, quote and order.

portal.a-dec.com



Partner Resources Website

Find the latest news, promotions, dealer announcements, advertising and product images.

partnerresources.a-dec.com



A-dec|W&H Handpiece Advisor Tool

Compare handpiece models and find detailed product information.

handpiece-advisor.com



Inspire Me Tool

Turn the dream operatory into a reality and order customer samples with the A-dec Inspire Me tool. Get inspired.

a-dec-inspire-me.com



Table of Contents

GENERAL INFORMATION	CARTS	CLINICAL PRODUCTS continued
General Information 4	Factory and Dealer Installed Choices 89	Preventive - Education/Diagnostics....148-149
Warranty for A-dec Products 5	Decade 2561 Duo and	Acteon Intraoral Cameras148
Equipment Alterations, Symbols 6	2562 Doctor's Cart 90-91	Acteon Intraoral Camera Docks149
How to Order 7	5744 Oregon Cart..... 92-93	Infection Control - Water Treatment.....150
Cancellations, Changes, and Upcharges..... 8		A-dec ICX®150
Contact Us, Customer Service..... 9		Infection Control -
	DENTAL LIGHTS	Vacuum-Line Cleaning System151
A-DEC 500 SYSTEM	A-dec 500 LED Dental Light 97-98	A-dec ICV for Preference Collection151
511 Dental Chair 15	A-dec 300 LED Dental Light99-100	
533 Continental Delivery System 16-18	Post-Mount Dental Lights101-102	SIMULATOR
532 Traditional Delivery System 19-21	Dental Light Specifications103	Simulator 155-158
542 Side Delivery System..... 22-24		Worksurface and Countertop Options159
541 12 O'Clock Duo Delivery System..... 25-28	MONITOR MOUNTS	
545 12 O'Clock	Monitor Mounts107-109	DIMENSIONS
Assistant's Instrumentation..... 29-31		A-dec 500162-168
551 Assistant's Instrumentation..... 32-33	STOOLS	A-dec 400169-172
561 Cuspidor and Support Center..... 34-35	520 Doctor's and Assistant's Stools113	A-dec 300173-178
500 Options 36	420 Doctor's and Assistant's Stools114	A-dec 200179-180
		A-dec Stools181
A-DEC 400 SYSTEM	PORTABLES	A-dec Cart Delivery System..... 182
411 Dental Chair 40	Pac 1 3420 Delivery System117-118	A-dec Dental Light 183
461 Cuspidor and Support Center..... 41	3460 Porta-Chair.....119	A-dec Monitor Mounts..... 184-185
		A-dec Portable Chair and
A-DEC 300 SYSTEM	ACCESSORIES	Delivery Systems 186
311 Dental Chair48	Upholstery 123	
300 Delivery Systems: Getting Started49	Floor Boxes..... 124-125	INDEX
300 Touchpad Options50	Foot Controls..... 126	Part Number Index 189-190
333/335 Continental Delivery Systems 51-53	Electrical 127-129	Identifier Index191-192
332/334/336	A-dec Relay Module, Intraoral Light Source,	Alphabetical Index193
Traditional Delivery Systems..... 54-57	and Data Cables127	
351 Assistant's Instrumentation.....58	Power Supplies 128	
352 Assistant's Instrumentation59	Power Supply Cables..... 129	
353 Assistant's Instrumentation 60	Syringes130	
362/363 Cuspidor and Support Center 61-62	Touchpads131	
	Trays..... 132-133	
PERFORMER	Tubing134	
Performer 8000 Dental Chair 67	Vacuum Components..... 135-136	
Performer 8100	QD Kits.....137	
Traditional Delivery System 68-70	Handpiece Holders and Whip Assemblies .138	
Performer 8500		CLINICAL PRODUCTS
Assistant's Instrumentation..... 71-72		A-dec W&H Electric Handpieces 141
Performer Dental Light Options.....73-74		Restorative -
Performer Monitor Mount Options..... 75		Electric Handpiece Systems142-143
		NSK Electric Motors, Control Module,
A-DEC 200 SYSTEM		Tubing Kits.....142-143
Chair Options80		NSK Electric Motors, Control Module, Tubing
Delivery Options..... 81		Kits.....143
Support Options..... 82		Restorative - Filling144
Dental Light Options..... 83-84		Acteon Curing Lights144
Monitor Mount Options and Stool..... 85		Preventive - Treatment of Tartar
		and Soft Tissue 146-147
		Acteon Ultrasonic Instruments146
		Dentsply Cavitron Ultrasonic Instruments 147

General Information

Welcome to the *2018 A-dec International Authorized Dealer Equipment Catalog*. This catalog is an easy-to-use source of product information for ordering A-dec products.

INTENDED AUDIENCE

This catalog is intended for both newly trained and seasoned authorized dealers responsible for ordering A-dec product.

IN THIS CHAPTER

- Information sources
- Ordering information
- Warranty
- Dental furniture policies
(Dental furniture available in electronic catalog)
- Contact us

COMMENTS AND FEEDBACK

Thank you for taking the time to use the *2018 International Authorized A-dec Dealer Equipment Catalog*. We would appreciate any feedback or comments you have about this document. Please mail, email, or phone us with your comments. You can reach us at:

A-dec Inc.
Marketing Department
2601 Crestview Drive
Newberg, OR 97132
Reach us by phone at: 1.800.547.1883
email: a-dec.marketing@a-dec.com
website: a-dec.com

COPYRIGHT

© 2018 A-dec Inc. All Rights Reserved.

2601 Crestview Drive, Newberg, OR 97132. Printed in USA.

A-dec Inc. makes no warranty of any kind with regard to this material, including, but not limited to, the implied warranties of merchantability and fitness for a particular purpose. A-dec Inc. shall not be held liable for any errors contained herein or any consequential or other damages concerning the furnishing, performance or use of this material. The information in this document is subject to change without notice. If you find any problems in the documentation, please report them to us in writing. A-dec Inc. does not warrant that this document is error-free.

No part of this document may be copied, reproduced, altered, or transmitted in any form or by any means, electronic or mechanical, including photocopying, recording, or by any information storage and retrieval system, without prior written permission from A-dec Inc.

TRADEMARKS

A-dec, the A-dec logo, A-dec Inspire, A-dec 300, Cascade, Century Plus, Continental, Decade, ICX, ICV, Performer, Preference, Preference Collection, Preference ICC, Radius, and reliablecreativesolutions are trademarks of A-dec Inc. and are registered in the United States and other countries. A-dec 500, A-dec 400, and A-dec 200 are also trademarks of A-dec Inc. None of the trademarks or trade names in this document may be reproduced, copied, or manipulated in any manner without the express, written approval of the trademark owner.

Certain touchpad symbols are proprietary to A-dec Inc. Any use of these symbols, in whole or in part, without the express written consent of A-dec Inc., is strictly prohibited.

W&H® is a registered trademarks of W&H Dentalwerk Bürmoos GmbH (Austria).
Acteon®, Newtron®, Satelec®, Sopro®, SoproCARE®, and SoproLIFE® are registered trademarks of Financiere Acteon SAS.
NSK is a registered trademark of Nakanishi Inc.

All other trademarks cited herein are the property of their respective owners.

INFORMATION SOURCES

There are a number of sources that provide additional detail to help you learn about and use our product(s).

ORDERNET

OrderNet is a simple, convenient online ordering system that is available 24 hours a day. Use OrderNet to place quick orders for service parts or to configure product and prepare proposals. A-dec will email an order confirmation as soon as you place your order. Visit portal.a-dec.com to access OrderNet.

INTERNATIONAL GENUINE A-DEC SERVICE PARTS CATALOG

The *International Genuine A-dec Service Parts Catalog* (P/N 85.5016.00) provides pricing, part number and ordering information for A-dec service parts. This catalog includes frequently purchased service parts for current products and products that are no longer manufactured, but still in use. Other parts may be available. Contact A-dec Customer Service for more information.

A-DEC PRE-INSTALLATION GUIDES

A-dec provides pre-installation guides for current major product lines including A-dec 500, A-dec 400, A-dec 300, A-dec 200, Performer®, A-dec Inspire™, and Preference Collection. These documents include product dimensions and content to help specify plumbing, utilities, framing, and other construction requirements for installation of A-dec products. They are available as PDF documents in the Document Library on a-dec.com and under Planning Resources/Pre-Installation Guides on partnerresources.a-dec.com.

A-DEC 2D AND 3D CAD RESOURCES

A-dec has CAD models of most current products available in 2D DWG (AutoCAD) format and 3D DWG and RFA (Revit) formats. The models are available on partnerresources.a-dec.com under Planning Resources/2D CAD Blocks or 3D CAD Models.

Warranty for A-dec Products

Terms & Conditions

SCOPE

A-dec warrants all goods listed below against defects in material or workmanship under normal intended use, when purchased from A-dec or an authorized A-dec dealer. A-dec's sole obligation under the warranty is to provide parts for the repair, or replacement of any defective component with one that is equivalent to the original in performance. **This warranty is in lieu of all other warranties or obligations express or implied. A-dec expressly disclaims all implied warranties of merchantability or fitness for a particular purpose. In no event will A-dec be liable for indirect, special, incidental, exemplary, or consequential damages of any kind.**

The repair or replacement of components is contingent upon A-dec's styles and color options available at the time of the warranty claim. If a warranty claim is filed after a product or color has been discontinued, A-dec reserves the right to honor the warranty in one of the following ways:

1. Replace the affected component with a new component in the same style and/or color.
2. Replace the affected component, and other product components in the operatory with a product style and/or color similar to the originally purchased style and/or color.

The buyer shall have no other remedy. The warranties set forth herein provide specific legal rights. Additional rights may exist, based on the jurisdiction of purchase and use of the product to the extent that those rights apply to this agreement. Warranty exclusions are identified in the following sections. Written notice of product failure must be given to A-dec within the warranty period.

PERIOD

The warranty period, measured from the date of delivery, shall be as follows:

GOODS	WARRANTY
Hydraulic Dental Chair Cylinder (tilt and lift)	10 years
All Dental Chairs, Operator and Assistant Stools, Dental Lights, Delivery Systems, Monitor Mounts, Dental Furniture, and related components	5 years
A-dec EA-53 Electric Motor, Tubing, and Control Modules; A-dec W&H Synea®, Proxeo®, Endea®, Air Motors, and Assistina Products <i>(warranted per item V. in Exclusions)</i>	2 years
A-dec W&H Alegra® Products <i>(warranted per item V. in Exclusions)</i>	1 year
A-dec NLX and NLZ Electric Motors and Control Modules <i>(warranted per item V. in Exclusions)</i>	1 year

Components replaced under warranty or purchased retain the balance of the original product warranty or are warranted for 1 year after delivery (whichever is greater).

EXCLUSIONS

The warranty does not cover:

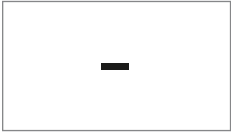
- I. Damage resulting from improper installation or maintenance, accident, misuse, abuse, neglect, alterations, freight damage, or natural disaster.
- II. Damage resulting from the use of chemicals and process for cleaning, disinfecting, or sterilization.
- III. Normal service items such as (but not limited to): light shields, light bulbs, filters, o-rings, handpiece tubing, and water cartridges. Also, normal wear and tear is not covered.
- IV. Consumable products held beyond the expiration date shown on the packaging.
- V. All other products, not manufactured by A-dec, including OEM, follow the original manufacturer's warranty, and are not covered by A-dec's warranty. Examples include, but not limited to: sterilizers, maintenance equipment, cameras, curing lights, ultrasonics, control modules, electric motors, attachments, handpieces, and turbines. Please contact A-dec Customer Service for specific warranty information.

Failure to follow A-dec Instructions for Use (operation and maintenance instructions) will void the warranty.

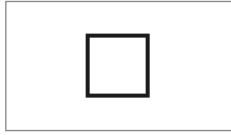
This warranty is effective for all new A-dec products, delivered after January 1, 2015.

Equipment Alterations, Symbols

SYMBOLS



Not available



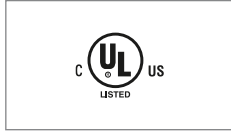
Available



Lighted handpiece



Included



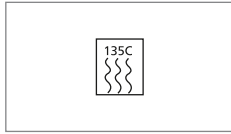
Listed by Underwriters Laboratories Inc.®



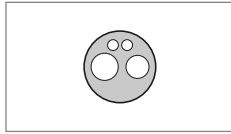
Non-lighted handpiece



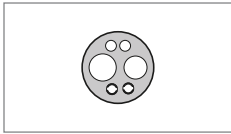
Classified by Underwriters Laboratories Inc.



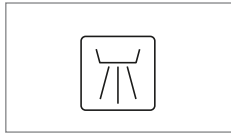
Sterilizable



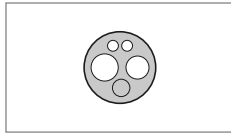
4-hole tubing



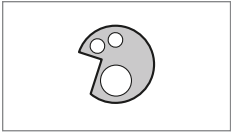
6-pin for fiber-optic tubing



Thermo disinfection approved



Fiber-optic with bulb tubing



3-hole tubing



Compliance with applicable E.U. directives



A-dec dental chairs, stools, delivery systems, delivery system accessories, and dental lights are manufactured within a quality management system registered to ISO 13485 by Underwriters Laboratories, Inc. (UL).

EQUIPMENT ALTERATIONS

Certain modifications or alterations of A-dec equipment which expand the use of A-dec equipment beyond its design and intent, or which override any safety features of A-dec equipment may jeopardize doctor, patient, or staff safety. Field modifications that alter the electrical and/or mechanical safety of A-dec dental devices are in conflict with Underwriters Laboratory (UL) construction file requirements and are not sanctioned by A-dec. Examples of field modifications that diminish safety design include, but are not limited to: rendering access to the line voltage without the use of tools, modification of supporting elements that increase or shift loading characteristics, and the addition of any powered device that exceeds the design limits of the dental system. The use of accessory equipment not complying with the equivalent safety requirements of A-dec equipment may lead to a reduced level of safety of the resulting system. It is the responsibility of the equipment distributor and the installer to assure that the installation complies with all building code requirements. The responsibility to determine whether a modification or alteration of A-dec equipment falls within these constraints is with the person(s) who initiates, approves and/or performs such modification or alteration. A-dec will not respond to inquiries on an individual basis. This person(s) will be deemed to have assumed all associated risks with such alteration or modification and will hold A-dec harmless from resulting claims, including product liability claims. Additionally, such modification or alteration voids A-dec's warranty and may invalidate UL or other regulatory agency approval.

How to Order

HOW TO ORDER

COMPLETE THE ORDER PAGE


Start your order by completing an order page (located in the catalog with each product). When using the order page, select the item by checking the box next to it and adding the price to the total line.

SUBMIT YOUR ORDER


To submit product orders:

- Use our online ordering system, OrderNet (portal.a-dec.com)
- Call Customer Service for ordering assistance +1.503.538.7478

511 Dental Chair



A-dec 511 dental chair shown with seamless upholstery and optional footswitch



A-dec 511 dental chair shown with sewn upholstery and optional footswitch

STANDARD FEATURES

- Dual-articulating gliding headrest
- Ultrathin 1" (25 mm) flexible backrest*
- 3 position armrests
- Soft start/stop hydraulic drive system
- Chair swivels 60° (30° each side of center)
- Integrated 300-watt power supply
- Ability to dual front mount A-dec 300 delivery system with Radius-style dental light and/or monitor (requires chair adapter)
- UL listed to 400 lb. (181 kg) maximum patient load**
- Base height range:
 - Low point: 13.9" (343 mm)***
 - High point: 31.5" (800 mm)

NOTE: Chair requires backrest or backrest to operate.
NOTE: *Based on seamless upholstery.
NOTE: ** Load rating is based on UL requirement of 41 (2000 N)/725 kg; certified static testing.
NOTE: *** Low point: 14.9" (378mm) when dual-mounting.

CHAIR CHOICES	CONFIGURED PART NUMBER	PRICE	TOTAL	ITEM PART NUMBER
A-dec 511 chair without upholstery	V0195.0096	\$9,735.00		
<input type="checkbox"/> 120 VAC <input type="checkbox"/> 120 VAC <input type="checkbox"/> 240 VAC				
Upholstery Choices				
<input type="checkbox"/> Seamless upholstery	V0070.0014	\$1,560.00		
<input type="checkbox"/> Sewn upholstery	V0070.0013	\$2,465.00		
<input type="checkbox"/> Programmable footswitch	V0042.0002	\$495.00		62.0163.01
Floor Box Choices				
<input type="checkbox"/> None		N/C		
<input type="checkbox"/> Contoured	V0040.0001	\$425.00		41.1506.01
Accessory Power Cord				
<input type="checkbox"/> 120 VAC	V0001.0004	\$50.00		43.0036.00
<input type="checkbox"/> 120 VAC	V0001.0003			
<input type="checkbox"/> 240 VAC	V0001.0002	\$29.00		43.0036.00
Chair choices subtotal		\$		
Quantity		\$		
Grand Total		\$		

UPHOLSTERY COLOR CHOICES

<input type="checkbox"/> Amethyst	<input type="checkbox"/> Seaw	<input type="checkbox"/> Ebony	<input type="checkbox"/> Poppy
<input type="checkbox"/> Black	<input type="checkbox"/> Apricot	<input type="checkbox"/> Fuchsia	<input type="checkbox"/> Riviera
<input type="checkbox"/> Driftwood	<input type="checkbox"/> Baltic	<input type="checkbox"/> Granite	<input type="checkbox"/> Sabie
<input type="checkbox"/> Hazelnut	<input type="checkbox"/> Camptfire	<input type="checkbox"/> Lilac	<input type="checkbox"/> Satiny
<input type="checkbox"/> Indigo	<input type="checkbox"/> Cave	<input type="checkbox"/> Lemon	<input type="checkbox"/> Sea Mist
<input type="checkbox"/> Lemongrass	<input type="checkbox"/> Charcoal	<input type="checkbox"/> Pacific	<input type="checkbox"/> Silver Pearl
<input type="checkbox"/> Pepperc	<input type="checkbox"/> Choccolat	<input type="checkbox"/> Rapsun	<input type="checkbox"/> Sky
<input type="checkbox"/> Sapphire	<input type="checkbox"/> Curry	<input type="checkbox"/> Parrot	<input type="checkbox"/> Sorbet
<input type="checkbox"/> Sky Blue	<input type="checkbox"/> Ocean	<input type="checkbox"/> Pecan	<input type="checkbox"/> Timberwolf
<input type="checkbox"/> Teavy	<input type="checkbox"/> Diplomat Blue	<input type="checkbox"/> Plum	<input type="checkbox"/> Vintage

CE UL 10

Estimated shipping weight: 410 lb. (186 kg)
30 Amp maximum

A-dec Equipment Catalog • 1.800.547.1883 Within USA/CAN • Tel: 1.503.538.7478 Outside USA/CAN • a-dec.com

Catalog order page

ORDERING INFORMATION

SHIPPING INFORMATION

- Provide your requested ship date with your orders. Our goal is to ship products on your requested ship date. A-dec ships orders based on the longest lead time of any of the items ordered. A-dec only ships multiple items separately upon specific request.
- Order confirmations show the estimated ship date.
- All equipment shown in this catalog is shipped F.O.B., Newberg, Oregon USA.
- Estimated shipping weights are guides to actual shipping weights, which vary from unit to unit.
- Products may differ from photos due to A-dec's policy of continual product improvement.
- Inspect all goods immediately upon receipt. The receiver must file claims for shipping damages with the carrier.

ORDERING INFORMATION CONTINUED

PRICING

- All prices are suggested retail prices. Pricing of optional accessories is "add-on."
- Orders for customized products (i.e., standard products that require modification) result in additional charges.
- A 20% re-stocking fee is assessed against the credit for returned items. Refer to Return Merchandise Policy.
- A 1% discount applies for prompt payment of domestic invoices paid within 20 days of invoice date, net 30 after shipment, provided account balance is current.

LARGE QUANTITY ORDERS

For large orders (quantity greater than 15), A-dec will build product over multiple weeks in order to meet your requested ship date. For these large orders, the cancellation/change policies are based on "build dates" rather than scheduled ship date.

RETURN POLICY

Authorized dealers wishing to return unopened merchandise to A-dec for credit consideration must adhere to the following guidelines: Returns will not be accepted outside of one year from the invoice date. Individual line item value less than US \$50 retail cannot be returned for credit. Items being returned for credit and/or warranty replacement must be authorized by an A-dec International Customer Service Representative with a Return Authorization Form and number. Please contact an International Customer Service Representative to receive approval and the appropriate form. The Return Authorization Number must appear on the outside of the carton or cartons being returned. A 20% re-stocking fee will be assessed.

The following types of items cannot be returned:

- Items built-in/integrated into an A-dec product
- Obsolete parts/equipment
- Specials
- Dental furniture
- Standard color upholstery ordered for obsolete chairs or stools

In the case of a defective warranty item, call A-dec International Customer Service for an RMA Number. Send returns and warranty returns to: A-dec Inc., 2601 Crestview Drive, Newberg, Oregon 97132, USA. ATTN: RETURNS.

Cancellations, Changes, and Upcharges

CORE EQUIPMENT AND DENTAL FURNITURE

The Preference Collection section has been removed from the printed catalog. Please refer to the electronic catalog for ordering information.

NOTE: Business days are Monday through Friday

CORE EQUIPMENT STANDARD PRODUCT:

Change and cancellation requests received within 15 business days of the scheduled ship date will be evaluated and ship dates may also be affected.

DENTAL FURNITURE CHANGE AND CANCELLATION CHARGES:

Standard product:

A 10% retail charge applies to orders changed or cancelled within 14 business days of the scheduled ship date and ship dates may also be affected.

Special material/color:

For all orders that are changed or cancelled within 21 business days of the scheduled ship date, the customer is still responsible for the Special Processing Fee (upcharges) and any costs associated with special material that was purchased before the cancellation that A-dec cannot return for credit

Dental furniture custom product:

Contact Customer Service for the current fee structure.

DENTAL FURNITURE ORDER CHANGE DEADLINES:

Standard product:

Dental furniture orders with standard laminates and countertop materials need to be finalized 15 business days prior to shipment. Ship dates may be affected by orders changed within 15 business days of the scheduled ship date.

Non-standard product:

Dental furniture orders with non-standard laminates and/or solid surface countertops need to be finalized 28 business days prior to shipment. Ship dates may be affected by orders changed within 28 business days of the scheduled ship date.

Dental furniture orders with non-standard quartz countertops need to be finalized 35 business days prior to shipment. Ship dates may be affected by orders changed within 35 business days of the scheduled ship date.

CUSTOM UPCHARGES

When placing orders for custom material, please be aware of the following additional charges:

UPHOLSTERY

Dauphine and select Ultrafabrics "contract" colors

- \$100 per chair set
- \$35 per chair component
- \$50 per stool set / component

All other upholstery will be evaluated and quoted through our specials process.

DENTAL FURNITURE

Laminate, solid surface and quartz upcharges: When placing orders for non-standard laminates, solid surfaces and quartz please be aware of the following additional charges.

Laminates

- Wilsonart® Contract Laminate with the following finishes (-60, -38, -01, -07, -12, -18, -52, -78, -90), \$100.00 per cabinet
- Formica® laminate with the following finishes (43, 58, 90, MC, NT, RD, SP, 42, 46, 77), \$100.00 per cabinet

Countertops

- Quartz (delivery date will be quoted)
 - Cambria® Quartz, \$300.00 per cabinet
 - Samsung® Radianz™ Quartz, \$300.00 per cabinet
- Solid Surface
 - Wilsonart Solid Surface, \$200.00 per cabinet
 - Dupont® Corian®, \$200.00 per cabinet
- Laminate
 - Wilsonart Laminate HD finishes (-35, -45, -55), \$300.00 per cabinet

All other laminate solid surface and quartz brands will be evaluated and quoted through our dental furniture tailored solutions process.

Contact Us, Customer Service

CONTACTING CUSTOMER SERVICE

The A-dec Customer Service team is ready to help you! Our product support representatives complete a comprehensive training program to assure they can respond to questions and assist you with orders. Count on them for answers your questions about products, delivery, and your account information.

If you have a question that has not been addressed in this document, please contact Customer Service.

INTERNATIONAL CUSTOMER SERVICE

Available from 6:00 a.m. to 5:00 p.m. Pacific Time (PT) to answer any questions you may have about equipment.

2601 Crestview Drive, Newberg, Oregon 97132 USA

Telephone: +1.503.538.7478

Fax: +1.503.538.5911

OrderNet/Partner Resources Website: portal.a-dec.com

Public Website: www.a-dec.com

INTERNATIONAL CUSTOMER SERVICE

Because you talk with Customer Service each time you call, we hope you'll enjoy being able to put a face with a voice.



Odra Randall
International Customer
Service Supervisor
503.537.2793
odra.randall@a-dec.com
16 years of service



Melanie Hauser (China Region)
Service Support Manager
86.571.89026291
melanie.hauser@a-dec.com
18 years of service



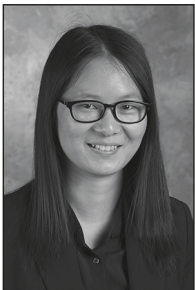
Craig Burk
503.537.2814
craig.burk@a-dec.com
11 years of service



David Capell
503.554.6991
david.capell@a-dec.com
11 years of service



Jon Dante
503.537.2864
jon.dante@a-dec.com
40 years of service



Vicky Jin (China Region)
86.571.89021965
vicky.jin@a-dec-hz.com
2 years of service



Carlos Larrondo
503.537.2859
carlos.larrondo@a-dec.com
1 year of service



Maja Mou (China Region)
86.571.89026290
maja.mou@a-dec-hz.com
3 years of service



Noelia Spaniol
503.537.2284
noelia.spaniol@a-dec.com
34 years of service



Dana Witmer
503.537.2873
dana.witmer@a-dec.com
30 years of service

Export Specialists



Patty Huarcaya
503.537.2728
Fax: 503.538.5911
patty.huarcaya@a-dec.com



Christine Schoenthal
503.538.7478
Fax: 503.538.5911
christine.schoenthal@a-dec.com



Tori Garcia
503.537.2711
Fax: 503.538.5911
tori.garcia@a-dec.com

A-dec 500 System



SECTION CONTENTS

Chair

511 Dental Chair15

Delivery

Chair Mount

533 Continental Delivery System16

532 Traditional Delivery System19

Non-Chair Mount

542 Side Delivery System22

541 12 O'clock Duo
Delivery System25

Assistant's Instrumentation / Support

545 12 O'clock
Assistant's Instrumentation29

551 Assistant's Instrumentation32

561 Cuspidor and Support Center34

DELIVERY SYSTEM CHOICES



Standard touchpad



Deluxe touchpad



Lever foot control



Disc foot control

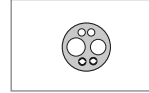
Tubing options:



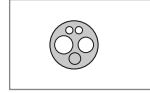
3-hole **E**



4-hole **E**



6-pin fiber-optic **E**



5-hole fiber-optic with bulb **E**



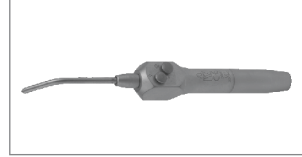
A-dec EA-53 electric motor



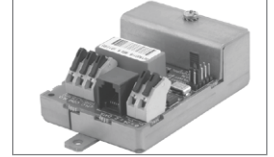
A-dec NSK NLX nano electric motor



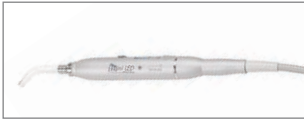
A-dec NSK NLZ electric motor



Autoclavable warm water syringe



A-dec relay module



Satelec Mini LED curing light



Satelec ScanWave curing light



SoproCare Intraoral camera handpiece only



Flex-holder HVE and SE (541/545)



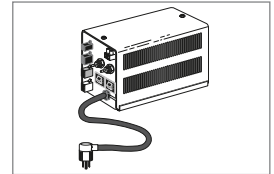
SoprolIFE Intraoral camera handpiece only



Sopro 717 First Intraoral camera handpiece only



Sopro 617 Intraoral camera handpiece only



300-watt power supply (541/542/545)



Satelec Newtron Slim B.LED ultrasonic handpiece



Satelec Newtron Slim ultrasonic handpiece



Dentsply Cavitron Steri-Mate ultrasonic handpiece



Dentsply Cavitron Steri-Mate 360 ultrasonic handpiece

TRAY CHOICES



Standard tray holder (533)



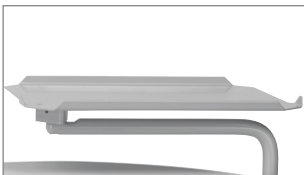
Large tray holder (533)



Standard tray holder (532, 542)



Large tray holder (532, 542)

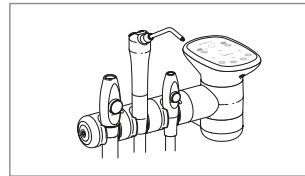


Standard tray holder (541/545)

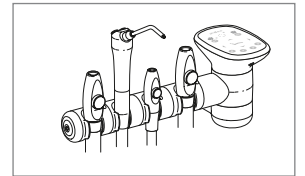


Large tray holder (541/545)

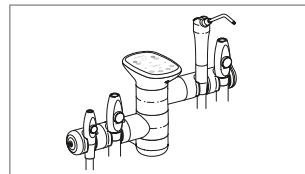
ASSISTANT'S CHOICES (FOR 541, 545, 551)



Single 3-position holder assembly with optional touchpad



Single 4-position holder assembly with dual HVE and optional touchpad



Dual 2-position holder assemblies with dual HVE and optional touchpad

A-dec 500 Radius System

Back **B**

Products that are connected to the back-mount of the chair.



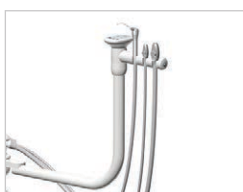
461 support center/ cuspidor



561 support center/ cuspidor
(compatible with or without cuspidor)



551 assistant's
instrumentation (shown)



351 assistant's instrumentation
(not compatible with cuspidor)



571L dental light (shown)



371L dental light



581 monitor mount (shown)

Front **F**

Products that are connected to the front-mount of the chair.

Single Mount Choices



532 Traditional
delivery system



533 Continental
delivery system (shown)

Dual Mount Choices



332 Traditional
delivery system



333 Continental
delivery system



336 Traditional
delivery system



382 monitor mount



572L dental light



372L dental light

Light Post Monitor Options (Front)



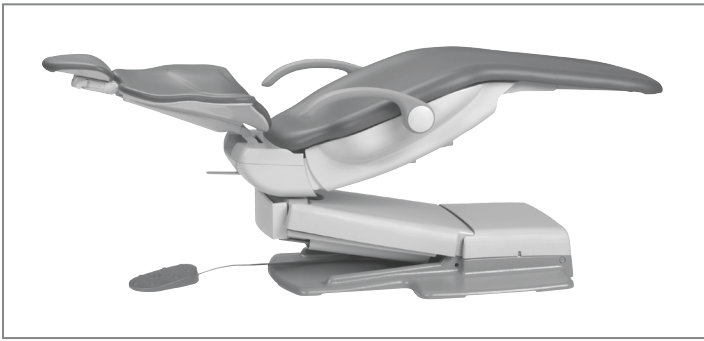
381 monitor mount



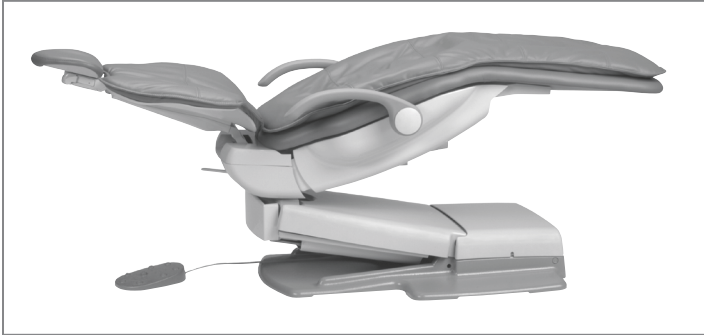
482 monitor mount (shown)



511 Dental Chair



A-dec 511 dental chair shown with formed upholstery and optional footswitch



A-dec 511 dental chair shown with sewn upholstery and optional footswitch

STANDARD FEATURES

- Dual-articulating gliding headrest
- Ultra-thin 1" (25 mm) flexible backrest*
- 3-position armrests
- Soft start/stop hydraulic drive system
- Chair swivels 60° (30° each side of center)
- Integrated 300-watt power supply
- Ability to dual front mount A-dec 300 delivery system with Radius dental light and/or monitor (requires chair adapter)
- UL rated to 400 lb. (181 kg.) maximum patient load**
- Base height range:
Low point: 13.5" (343 mm)**
High point 31.5" (800 mm)

NOTE: Chair requires touchpad or footswitch to operate.

NOTE: *Based on formed upholstery

NOTE: ** Load rating is based on UL requirement of 4X (1600 lb./725 kg.) overload static testing

NOTE: *** Low point: 14.5" (368mm) when dual mounting.

CHAIR CHOICES	CONFIGURED PART NUMBER	PRICE	TOTAL	ITEM PART NUMBER
A-dec 511 chair without upholstery	V0195.0096			-
<input type="checkbox"/> 100 VAC <input type="checkbox"/> 120 VAC <input type="checkbox"/> 240 VAC				
Upholstery Choices				
<input type="checkbox"/> Formed upholstery	V0075.0014			-
<input type="checkbox"/> Sewn upholstery	V0075.0013			-
<input type="checkbox"/> Programmable footswitch	V0042.0002			62.0163.01
Floor Box Choices				
<input type="checkbox"/> None	-			-
<input type="checkbox"/> Contoured	V0040.0001			41.1506.01
Accessory Power Cord				
<input type="checkbox"/> 100 VAC	V0001.0004			43.0035.00
<input type="checkbox"/> 120 VAC	V0001.0001			
<input type="checkbox"/> 240 VAC	V0001.0002			
Chair choices subtotal			\$	
Quantity			x	
Grand Total			\$	

UPHOLSTERY COLOR CHOICES

Formed

- Amethyst
- Black
- Driftwood
- Hazelnut
- Indigo
- Lemongrass
- Paprika
- Sapphire
- Sky Blue
- Tawny

Sewn

- Apricot
- Arctic
- Butterfly
- Campfire
- Cave
- Chamois
- Charcoal
- Curry
- Cyan
- Diplomat Blue

- Ebony
- Fuchsia
- Granite
- Lapis
- Pacific
- Papyrus
- Parrot
- Pecan
- Plum
- Red

- Riviera
- Sable
- Sassy
- Sea Mist
- Silver Pearl
- Sky
- Sorbet
- Timberwolf
- Vintage
- Violet



Estimated shipping weight: 410 lb. (186 kg)
10 Amp maximum

533 Continental Delivery System



White A-dec 533 Continental delivery system shown with QD syringe, optional deluxe touchpad, and gray handpiece tubings

STANDARD FEATURES

- White color with gray accents
- 2-liter self-contained water system with quick-disconnect (QD) water bottle
- Balanced flexarm with air brake
- Four handpiece position control block
- Autoclavable QD syringe
- Control head provides room to house integrated accessories
- Multi-voltage intraoral light source with independent adjustable settings for up to four positions
- Easy left/right conversion
- 1.5' (457 mm) umbilical with utilities
- Includes chair adapter for A-dec 511 dental chair
- 15' USB 2.0 cable from control head to chair, (effective on systems build after April 2010)
- Adjustable air coolant
- Individually adjustable water coolant
- Silicone handpiece tubing

NOTE: Front mount accommodates delivery system, radius light, or 382 monitor mount. These cannot be mounted at the same time.

NOTE: When left-hand configuration option is selected, the configuration will be a mirror image of the standard, right-hand, configuration.

LEGEND

- A** = Price reflects retail price adjustment to change from standard to optional feature
- B** = Additional whip assembly required
- C** = Touchpad required
- D** = Deluxe touchpad required
- E** = Requires control block position
- F** = Requires controller space
- G** = Requires access to 25-watt power supply
- H** = Requires access to 300-watt power supply
- I** = Requires Intraoral Light Source
- J** = Side exhausting Borden

CE
0843



Estimated shipping weight: 72 lb. (33 kg)

533 Continental Delivery System

DELIVERY SYSTEM BASE CHOICES	CONFIGURED PART NUMBER	PRICE	TOTAL	ITEM PART NUMBER	
533 Radius with deluxe touchpad	V0195.0101			-	
<input type="checkbox"/> Standard tray holder (does not include tray)	V0070.0006			77.1024.01	
<input type="checkbox"/> Large tray holder (does not include tray)	V0070.0007			77.1023.01	
Foot Control Choices					
<input type="checkbox"/> Disc foot control (Wet/dry with chip blower/accessory button)	V0041.0006			38.1829.00	
<input type="checkbox"/> Lever foot control (Wet/dry with chip blower/accessory button)	V0041.0004			38.1871.00	
<input type="checkbox"/> A-dec relay module	V0169.0001			90.1080.00	
<input type="checkbox"/> 10' (3,048 mm) umbilical	V0071.0002			41.1483.01	
<input type="checkbox"/> Moisture separator	V0156.0001			41.1477.00	
<input type="checkbox"/> Filter elements (pkg of 6)	V0088.0001			24.0234.01	
Delivery system base choices subtotal			\$		
DOCTOR'S CHOICES continued on next page	HANDPIECE POSITIONS	CONFIGURED PART NUMBER	PRICE	TOTAL	ITEM PART NUMBER
	0 1 2 3 4				
<input type="checkbox"/> Left-hand configuration		V0128.0002			-
<input type="checkbox"/> Standard touchpad A		V0036.0003			77.0297.01
<input type="checkbox"/> Shut-off valve, compression (x2)		V0062.0007			026.062.00
<input type="checkbox"/> Shut-off valve, threaded (x2)		V0062.0006			026.158.00
<input type="checkbox"/> Additional whip assembly and hardware (required for position 1)		V0102.0004			77.0291.02
Syringe choices					
QD syringe	<input type="checkbox"/> - - - -	V0267.0005			23.1305.00
Warm water QD syringe A	<input type="checkbox"/> - - - -	V0267.0004			23.1291.01
No tubing	- <input type="checkbox"/> <input type="checkbox"/> <input type="checkbox"/> <input type="checkbox"/> <input type="checkbox"/>	V0267.0003			-
Air Driven Silicone Handpiece Tubing					
3-hole I	- <input type="checkbox"/> <input type="checkbox"/> <input type="checkbox"/> <input type="checkbox"/> <input type="checkbox"/>	V0267.0015			98.1086.00
4-hole	- <input type="checkbox"/> <input type="checkbox"/> <input type="checkbox"/> <input type="checkbox"/> <input type="checkbox"/>	V0267.0002			98.1087.00
6-pin I	- <input type="checkbox"/> <input type="checkbox"/> <input type="checkbox"/> <input type="checkbox"/> <input type="checkbox"/>	V0267.0001			98.1089.00
5-hole fiber-optic w/bulb I	- <input type="checkbox"/> <input type="checkbox"/> <input type="checkbox"/> <input type="checkbox"/> <input type="checkbox"/>	V0267.0006			98.1088.00
Electric Motor Systems D E F H					
A-dec Manufacturing Partner W&H					
EA-53 electric motor and tubing	- <input type="checkbox"/> <input type="checkbox"/> <input type="checkbox"/> <input type="checkbox"/> <input type="checkbox"/>	V0267.0049			54.0497.00
Control module for EA-53					
<input type="checkbox"/> Single position CM 1.2		V0053.0004			54.0479.03
<input type="checkbox"/> Dual position CM 2.2		V0053.0005			54.0480.03
A-dec Manufacturing Partner NSK					
NLZ electric motor and tubing	- <input type="checkbox"/> <input type="checkbox"/> <input type="checkbox"/> <input type="checkbox"/> <input type="checkbox"/>	V0267.0080			54.0605.01
<input type="checkbox"/> Control module for NLZ		V0053.0006			54.0601.01
NLX nano electric motor and tubing	- <input type="checkbox"/> <input type="checkbox"/> <input type="checkbox"/> <input type="checkbox"/> <input type="checkbox"/>	V0267.0041			54.0446.01
<input type="checkbox"/> Control module for NLX		V0053.0003			54.0437.01
Curing Light Module H					
Satelec					
Satelec Mini LED curing light	- <input type="checkbox"/> <input type="checkbox"/> <input type="checkbox"/> <input type="checkbox"/> <input type="checkbox"/>	V0267.0014			54.0291.00
Satelec ScanWave curing light	- <input type="checkbox"/> <input type="checkbox"/> <input type="checkbox"/> <input type="checkbox"/> <input type="checkbox"/>	V0267.0050			54.0474.00

533 Continental Delivery System

DOCTOR'S CHOICES continued	HANDPIECE POSITIONS					CONFIGURED PART NUMBER	PRICE	TOTAL	ITEM PART NUMBER
	0	1 <input checked="" type="checkbox"/>	2	3	4				
Intraoral Camera Systems <input type="checkbox"/> <input type="checkbox"/> <input type="checkbox"/>									
Acteon									
Dock Modules									
Analog and USB2	-	<input type="checkbox"/>	<input type="checkbox"/>	<input type="checkbox"/>	<input type="checkbox"/>	V0267.0008			54.0294.00
USB2 only	-	<input type="checkbox"/>	<input type="checkbox"/>	<input type="checkbox"/>	<input type="checkbox"/>	V0267.0074			54.0584.00
Handpieces									
<input type="checkbox"/> SoproCare intraoral camera handpiece only, NTSC						V0043.0011			54.0471.00
<input type="checkbox"/> SoproCare intraoral camera handpiece only, PAL						V0043.0010			54.0472.00
<input type="checkbox"/> SoproLIFE intraoral camera handpiece only, NTSC						V0043.0009			54.0392.00
<input type="checkbox"/> SoproLIFE intraoral camera handpiece only, PAL						V0043.0008			54.0393.00
<input type="checkbox"/> Sopro 717 First intraoral camera handpiece only, NTSC						V0043.0006			54.0421.00
<input type="checkbox"/> Sopro 717 First intraoral camera handpiece only, PAL						V0043.0007			54.0422.00
<input type="checkbox"/> Sopro 617 intraoral camera handpiece only, NTSC						V0043.0005			54.0263.00
<input type="checkbox"/> Sopro 617 intraoral camera handpiece only, PAL						V0043.0002			54.0264.00
Ultrasonic Instrument Systems <input type="checkbox"/> <input type="checkbox"/> <input type="checkbox"/> <input type="checkbox"/>									
Satelec									
Satelec Newtron Slim control module and cord set	-	<input type="checkbox"/>	<input type="checkbox"/>	<input type="checkbox"/>	<input type="checkbox"/>	V0267.0072			54.0582.00
Handpieces									
<input type="checkbox"/> Satelec Newtron Slim B.LED ultrasonic handpiece						V0158.0004			54.0581.00
<input type="checkbox"/> Satelec Newtron Slim ultrasonic handpiece						V0158.0005			54.0580.00
<input type="checkbox"/> Satelec ultrasonic instrument tip kit						V0196.0001			54.0406.00
Dentsply									
Cavitron Steri-Mate handpiece, module, cord set, and insert	-	<input type="checkbox"/>	<input type="checkbox"/>	<input type="checkbox"/>	<input type="checkbox"/>	V0267.0079			
Cavitron Steri-Mate 360 handpiece, module, cord set, and insert	-	<input type="checkbox"/>	<input type="checkbox"/>	<input type="checkbox"/>	<input type="checkbox"/>	V0267.0078			
Delivery system base choices subtotal								\$	
Doctor's choices subtotal								\$	
Subtotal of all sections								\$	
Quantity								x	
Grand Total								\$	

532 Traditional Delivery System



White A-dec 532 Traditional delivery system shown with QD syringe, optional deluxe touchpad, and gray handpiece tubings

STANDARD FEATURES

- White color with gray accents
- 2-liter self-contained water system with quick-disconnect (QD) water bottle
- Balanced flexarm with air brake
- Four handpiece position control block
- Autoclavable QD syringe
- Control head provides room to house integrated accessories
- Multi-voltage intraoral light source with independent adjustable settings for up to four positions
- Easy left/right conversion
- 1.5' (457 mm) umbilical with utilities
- Includes chair adapter for A-dec 511 dental chair
- 15' USB 2.0 cable from control head to chair, (effective on systems build after April 2010)
- Adjustable air coolant
- Individually adjustable water coolant
- Silicone handpiece tubing

NOTE: Front mount accommodates delivery system, radius light, or 382 monitor mount. These cannot be mounted at the same time.

NOTE: When left-hand configuration option is selected, the configuration will be a mirror image of the standard, right-hand, configuration.

LEGEND

- A** = Price reflects retail price adjustment to change from standard to optional feature
- B** = Additional whip assembly required
- C** = Touchpad required
- D** = Deluxe touchpad required
- E** = Requires control block position
- F** = Requires controller space
- G** = Requires access to 25-watt power supply
- H** = Requires access to 300-watt power supply
- I** = Requires Intraoral Light Source
- J** = Side exhausting Borden



Estimated shipping weight: 60 lb. (27 kg)

532 Traditional Delivery System

DELIVERY SYSTEM BASE CHOICES	CONFIGURED PART NUMBER	PRICE	TOTAL	ITEM PART NUMBER	
532 Radius with deluxe touchpad	V0195.0099			-	
<input type="checkbox"/> Standard tray holder (does not include tray)	V0070.0006			77.1024.00	
<input type="checkbox"/> Large tray holder (does not include tray)	V0070.0007			77.1023.00	
Foot Control Choices					
<input type="checkbox"/> Disc foot control (Wet/dry with chip blower/accessory button)	V0041.0006			38.1829.00	
<input type="checkbox"/> Lever foot control (Wet/dry with chip blower/accessory button)	V0041.0004			38.1871.00	
<input type="checkbox"/> A-dec relay module	V0169.0001			90.1080.00	
<input type="checkbox"/> Filter elements (pkg of 6)	V0088.0001			24.0234.01	
<input type="checkbox"/> Moisture separator	V0156.0001			41.1477.00	
<input type="checkbox"/> 10' (3,048 mm) umbilical	V0071.0002			41.1483.01	
Delivery system choices subtotal			\$		
DOCTOR'S CHOICES continued on next page	HANDPIECE POSITIONS	CONFIGURED PART NUMBER	PRICE	TOTAL	ITEM PART NUMBER
	0 1 2 3 4				
<input type="checkbox"/> Left-hand configuration		V0128.0002			-
<input type="checkbox"/> Standard touchpad A		V0036.0003			77.0297.01
<input type="checkbox"/> Shut-off valve, compression (x2)		V0062.0007			026.062.00
<input type="checkbox"/> Shut-off valve, threaded (x2)		V0062.0006			026.158.00
Syringe Choices					
QD syringe	<input type="checkbox"/> - - - -	V0267.0005			23.1303.00
Warm water QD syringe A	<input type="checkbox"/> - - - -	V0267.0004			23.1290.01
No tubing	- <input type="checkbox"/> <input type="checkbox"/> <input type="checkbox"/> <input type="checkbox"/> <input type="checkbox"/>	V0267.0003			-
Air Driven Silicone Handpiece Tubing					
3-hole I	- <input type="checkbox"/> <input type="checkbox"/> <input type="checkbox"/> <input type="checkbox"/> <input type="checkbox"/>	V0267.0015			98.1086.00
4-hole	- <input type="checkbox"/> <input type="checkbox"/> <input type="checkbox"/> <input type="checkbox"/> <input type="checkbox"/>	V0267.0002			98.1087.00
6-pin I	- <input type="checkbox"/> <input type="checkbox"/> <input type="checkbox"/> <input type="checkbox"/> <input type="checkbox"/>	V0267.0001			98.1089.00
5-hole fiber-optic w/bulb I	- <input type="checkbox"/> <input type="checkbox"/> <input type="checkbox"/> <input type="checkbox"/> <input type="checkbox"/>	V0267.0006			98.1088.00
Electric Motor Systems D E F H					
A-dec Manufacturing Partner W&H					
EA-53 electric motor and tubing	- <input type="checkbox"/> <input type="checkbox"/> <input type="checkbox"/> <input type="checkbox"/> <input type="checkbox"/>	V0267.0049			54.0497.00
Control module for EA-53					
<input type="checkbox"/> Single position CM 1.2		V0053.0004			54.0479.03
<input type="checkbox"/> Dual position CM 2.2		V0053.0005			54.0480.03
A-dec Manufacturing Partner NSK					
NLZ electric motor and tubing	- <input type="checkbox"/> <input type="checkbox"/> <input type="checkbox"/> <input type="checkbox"/> <input type="checkbox"/>	V0267.0080			54.0605.01
<input type="checkbox"/> Control module for NLZ		V0053.0006			54.0601.01
NLX nano electric motor and tubing	- <input type="checkbox"/> <input type="checkbox"/> <input type="checkbox"/> <input type="checkbox"/> <input type="checkbox"/>	V0267.0041			54.0446.01
<input type="checkbox"/> Control module for NLX		V0053.0003			54.0437.01
Curing Light Module H					
Satelec					
Satelec Mini LED curing light	- <input type="checkbox"/> <input type="checkbox"/> <input type="checkbox"/> <input type="checkbox"/> <input type="checkbox"/>	V0267.0014			54.0291.00
Satelec ScanWave curing light	- <input type="checkbox"/> <input type="checkbox"/> <input type="checkbox"/> <input type="checkbox"/> <input type="checkbox"/>	V0267.0050			54.0474.00

532 Traditional Delivery System

DOCTOR'S CHOICES continued	HANDPIECE POSITIONS					CONFIGURED PART NUMBER	PRICE	TOTAL	ITEM PART NUMBER
	0	1	2	3	4				
Intraoral Camera Systems E F H									
Acteon									
Dock Modules									
Analog and USB2	-	<input type="checkbox"/>	<input type="checkbox"/>	<input type="checkbox"/>	<input type="checkbox"/>	V0267.0008			54.0294.00
USB2 only	-	<input type="checkbox"/>	<input type="checkbox"/>	<input type="checkbox"/>	<input type="checkbox"/>	V0267.0074			54.0584.00
Handpieces									
<input type="checkbox"/> SoproCare intraoral camera handpiece only, NTSC						V0043.0011			54.0471.00
<input type="checkbox"/> SoproCare intraoral camera handpiece only, PAL						V0043.0010			54.0472.00
<input type="checkbox"/> SoproLIFE intraoral camera handpiece only, NTSC						V0043.0009			54.0392.00
<input type="checkbox"/> SoproLIFE intraoral camera handpiece only, PAL						V0043.0008			54.0393.00
<input type="checkbox"/> Sopro 717 First intraoral camera handpiece only, NTSC						V0043.0006			54.0421.00
<input type="checkbox"/> Sopro 717 First intraoral camera handpiece only, PAL						V0043.0007			54.0422.00
<input type="checkbox"/> Sopro 617 intraoral camera handpiece only, NTSC						V0043.0005			54.0263.00
<input type="checkbox"/> Sopro 617 intraoral camera handpiece only, PAL						V0043.0002			54.0264.00
Ultrasonic Instrument Systems D E F H									
Satelec									
Satelec Newtron Slim control module and cord set	-	<input type="checkbox"/>	<input type="checkbox"/>	<input type="checkbox"/>	<input type="checkbox"/>	V0267.0072			54.0582.00
Handpieces									
<input type="checkbox"/> Satelec Newtron Slim B.LED ultrasonic handpiece only						V0158.0004			54.0581.00
<input type="checkbox"/> Satelec Newtron Slim ultrasonic handpiece only						V0158.0005			54.0580.00
<input type="checkbox"/> Satelec ultrasonic instrument tip kit						V0196.0001			54.0406.00
Dentsply									
Cavitron Steri-Mate handpiece, module, cord set, and insert	-	<input type="checkbox"/>	<input type="checkbox"/>	<input type="checkbox"/>	<input type="checkbox"/>	V0267.0079			
Cavitron Steri-Mate 360 handpiece, module, cord set, and insert	-	<input type="checkbox"/>	<input type="checkbox"/>	<input type="checkbox"/>	<input type="checkbox"/>	V0267.0078			
Delivery system base choices subtotal								\$	
Doctor's choices subtotal								\$	
Subtotal of all sections								\$	
Quantity								x	
Grand Total								\$	

542 Side Delivery System



White A-dec 542 side delivery system shown with QD syringe, optional deluxe touchpad, and gray handpiece tubings

STANDARD FEATURES

- White color with gray accents
- For use with A-dec Inspire 592, 593, Preference Collection 5543, 5531, 5631, or wall mount
- Wall mount delivery system mounts to walls; includes a crystal-color laminate backboard
- 2-liter self-contained water system with quick-disconnect (QD) water bottle
- Balanced flexarm with single handle air brake
- Four handpiece position control block
- Autoclavable QD syringe
- Control head provides room to house integrated accessories
- Multi-voltage intraoral light source with independent adjustable settings for up to four positions
- Utilities
- Rigid arm (13" with Preference mount hardware or upgrade to 13" or 22" wall mount hardware)
- 15' USB 2.0 cable from control head to chair, (effective on systems build after April 2010)
- Adjustable air coolant
- Individually adjustable water coolant
- Silicone handpiece tubing

NOTE: Touchpads are compatible with all A-dec 511, A-dec 411, A-dec 311, and Cascade 1040/ Performer III chairs built after August 2005. Cascade®, Decade®, and Performer® III chairs built before August 2005 require a new circuit board (P/N 90.1029.02) to allow the touchpad to operate the chair. Pencil drawer restricts parking for A-dec 542 delivery system.

NOTE: When left-hand configuration option is selected, the configuration will be a mirror image of the standard, right-hand, configuration.

LEGEND

- A** = Price reflects retail price adjustment to change from standard to optional feature
- C** = Touchpad required
- D** = Deluxe touchpad required
- E** = Requires control block position
- F** = Requires controller space
- G** = Requires access to 25-watt power supply
- H** = Requires access to 300-watt power supply
- I** = Requires Intraoral Light Source
- J** = Side exhausting Borden



0843

Estimated shipping weight: 94 lb. (43 kg)

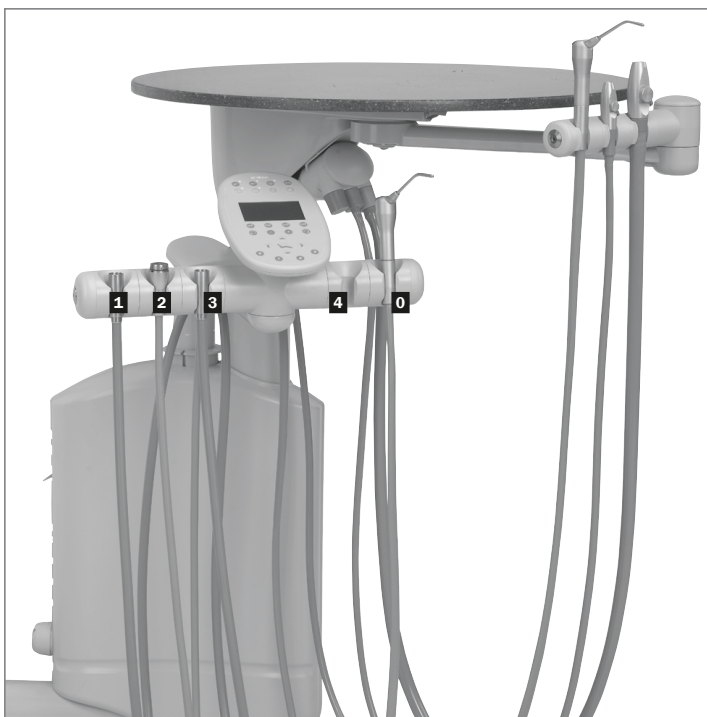
542 Side Delivery System

DELIVERY SYSTEM BASE CHOICES	CONFIGURED PART NUMBER	PRICE	TOTAL	ITEM PART NUMBER	
542 Side mount with deluxe touchpad <small>includes 13" rigid arm and A-dec Inspire/Preference mount hardware</small>	V0195.0106			-	
<input type="checkbox"/> Standard tray holder (does not include tray)	V0070.0006			77.1024.00	
<input type="checkbox"/> Large tray holder (does not include tray)	V0070.0007			77.1023.00	
Foot Control Choices					
<input type="checkbox"/> Disc foot control <small>(Wet/dry with chip blower/accessory button)</small>	V0041.0006			38.1829.01	
<input type="checkbox"/> Lever foot control <small>(Wet/dry with chip blower/accessory button)</small>	V0041.0004			38.1871.03	
<input type="checkbox"/> A-dec relay module H	V0169.0001			90.1080.00	
<input type="checkbox"/> Filter elements (pkg of 6)	V0088.0001			24.0234.01	
<input type="checkbox"/> Moisture separator	V0156.0001			41.1477.00	
<input type="checkbox"/> Shut-off valve, compression	V0062.0002			026.062.00	
<input type="checkbox"/> Shut-off valve, threaded	V0062.0003			026.158.00	
Mount Location					
<input type="checkbox"/> 13" rigid arm with hardware for wall mount	V0030.0007			-	
<input type="checkbox"/> 22" rigid arm with hardware for wall mount	V0030.0008			-	
25-watt power supply					
<input type="checkbox"/> 100 volts	V0060.0011			28.1479.00	
<input type="checkbox"/> 120 volts	V0060.0010			28.1480.00	
<input type="checkbox"/> 240 volts	V0060.0009			28.1481.00	
300-watt power supply					
<input type="checkbox"/> 100 volts	V0060.0005			43.0259.00	
<input type="checkbox"/> 120 volts	V0060.0006			43.0260.00	
<input type="checkbox"/> 240 volts	V0060.0007			43.0261.00	
<input type="checkbox"/> Power supply connector kit <small>(Required to connect 542 to A-dec 511 chair power supply)</small>	V0060.0002			77.1239.00	
<input type="checkbox"/> Power supply connector kit <small>(Required to connect 542 to A-dec 311 or 411 chair power supply)</small>	V0060.0003			77.1240.00	
<input type="checkbox"/> Remote stainless steel floor box with cover and 7' (2,134 mm) umbilical	V0040.0014			41.1491.01	
Delivery system base choices subtotal			\$		
DOCTOR'S CHOICES continued on next page	HANDPIECE POSITIONS	CONFIGURED PART NUMBER	PRICE	TOTAL	ITEM PART NUMBER
	0 1 2 3 4				
<input type="checkbox"/> Left-hand configuration		V0128.0002			-
Touchpad Choices					
<input type="checkbox"/> Standard touchpad		V0036.0003			77.0297.01
<input type="checkbox"/> No touchpad		V0036.0009			-
Syringe Choices					
QD syringe	<input type="checkbox"/> - - - -	V0267.0005			23.1303.00
Warm water QD syringe A	<input type="checkbox"/> - - - -	V0267.0004			23.1290.01
No tubing	- <input type="checkbox"/> <input type="checkbox"/> <input type="checkbox"/> <input type="checkbox"/> <input type="checkbox"/>	V0267.0003			-
Air Driven Silicone Handpiece Tubing					
3-hole I	- <input type="checkbox"/> <input type="checkbox"/> <input type="checkbox"/> <input type="checkbox"/> <input type="checkbox"/>	V0267.0015			98.1086.00
4-hole	- <input type="checkbox"/> <input type="checkbox"/> <input type="checkbox"/> <input type="checkbox"/> <input type="checkbox"/>	V0267.0002			98.1087.00
6-pin I	- <input type="checkbox"/> <input type="checkbox"/> <input type="checkbox"/> <input type="checkbox"/> <input type="checkbox"/>	V0267.0001			98.1089.00
5-hole fiber-optic w/bulb I	- <input type="checkbox"/> <input type="checkbox"/> <input type="checkbox"/> <input type="checkbox"/> <input type="checkbox"/>	V0267.0006			98.1088.00
Electric Motor Systems D E F H					
A-dec Manufacturing Partner W&H					
EA-53 electric motor and tubing	- <input type="checkbox"/> <input type="checkbox"/> <input type="checkbox"/> <input type="checkbox"/> <input type="checkbox"/>	V0267.0049			54.0497.00
Control module for EA-53					
<input type="checkbox"/> Single position CM 1.2		V0053.0004			54.0479.03
<input type="checkbox"/> Dual position CM 2.2		V0053.0005			54.0480.03
A-dec Manufacturing Partner NSK					
NLZ electric motor and tubing	- <input type="checkbox"/> <input type="checkbox"/> <input type="checkbox"/> <input type="checkbox"/> <input type="checkbox"/>	V0267.0080			54.0605.01
Control module for NLZ		V0053.0006			54.0601.01
NLX nano electric motor and tubing	- <input type="checkbox"/> <input type="checkbox"/> <input type="checkbox"/> <input type="checkbox"/> <input type="checkbox"/>	V0267.0041			54.0446.01
Control module for NLX		V0053.0003			54.0437.01

542 Side Delivery System

DOCTOR'S CHOICES continued	HANDPIECE POSITIONS					CONFIGURED PART NUMBER	PRICE	TOTAL	ITEM PART NUMBER
	0	1	2	3	4				
Curing Light Module H									
Satelec									
Satelec Mini LED curing light	-	<input type="checkbox"/>	<input type="checkbox"/>	<input type="checkbox"/>	<input type="checkbox"/>	V0267.0014			54.0291.00
Satelec ScanWave curing light	-	<input type="checkbox"/>	<input type="checkbox"/>	<input type="checkbox"/>	<input type="checkbox"/>	V0267.0050			54.0474.00
Intraoral Camera Systems E F H									
Acteon									
Dock Modules									
Analog and USB2	-	<input type="checkbox"/>	<input type="checkbox"/>	<input type="checkbox"/>	<input type="checkbox"/>	V0267.0008			54.0294.00
USB2 only	-	<input type="checkbox"/>	<input type="checkbox"/>	<input type="checkbox"/>	<input type="checkbox"/>	V0267.0074			54.0584.00
Handpieces									
<input type="checkbox"/> SoproCare intraoral camera handpiece only, NTSC						V0043.0011			54.0471.00
<input type="checkbox"/> SoproCare intraoral camera handpiece only, PAL						V0043.0010			54.0472.00
<input type="checkbox"/> SoproLIFE intraoral camera handpiece only, NTSC						V0043.0009			54.0392.00
<input type="checkbox"/> SoproLIFE intraoral camera handpiece only, PAL						V0043.0008			54.0393.00
<input type="checkbox"/> Sopro 717 First intraoral camera handpiece only, NTSC						V0043.0006			54.0421.00
<input type="checkbox"/> Sopro 717 First intraoral camera handpiece only, PAL						V0043.0007			54.0422.00
<input type="checkbox"/> Sopro 617 intraoral camera handpiece only, NTSC						V0043.0005			54.0263.00
<input type="checkbox"/> Sopro 617 intraoral camera handpiece only, PAL						V0043.0002			54.0264.00
Ultrasonic Instrument Systems D E F H									
Satelec									
Satelec Newtron Slim control module and cord set	-	<input type="checkbox"/>	<input type="checkbox"/>	<input type="checkbox"/>	<input type="checkbox"/>	V0267.0072			54.0582.00
Handpieces									
<input type="checkbox"/> Satelec Newtron Slim B.LED ultrasonic handpiece only						V0158.0004			54.0581.00
<input type="checkbox"/> Satelec Newtron Slim ultrasonic handpiece only						V0158.0005			54.0580.00
<input type="checkbox"/> Satelec ultrasonic instrument tip kit						V0196.0001			54.0406.00
Dentsply									
Cavitron Steri-Mate handpiece, module, cord set, and insert	-	<input type="checkbox"/>	<input type="checkbox"/>	<input type="checkbox"/>	<input type="checkbox"/>	V0267.0079			
Cavitron Steri-Mate 360 handpiece, module, cord set, and insert	-	<input type="checkbox"/>	<input type="checkbox"/>	<input type="checkbox"/>	<input type="checkbox"/>	V0267.0078			
Delivery system base choices subtotal								\$	
Doctor's choices subtotal								\$	
Subtotal of all sections								\$	
Quantity								x	
Grand Total								\$	

541 12 O'Clock Duo Delivery System



White A-dec 541 12 O'Clock duo delivery system shown with QD syringe, 3-position assistant's instrumentation, optional deluxe touchpad, and gray handpiece tubings

STANDARD FEATURES

- White color with gray accents
- Includes Gibraltar solid surface worksurface
- Designed for use with A-dec Inspire 591, Preference Collection 5562, 5662, 5580, or stand-alone. Please refer to the electronic catalog for ordering information.
- 2-liter self-contained water system with quick-disconnect (QD) water bottle
- Four handpiece position control block
- Autoclavable QD syringe
- Control center provides room to house integrated accessories
- Multi-voltage intraoral light source with independent adjustable settings for up to four positions
- Height-adjustable doctor's instrumentation
- Utilities
- Floor mounting bracket
- 15' USB 2.0 cable from control head to chair, (effective on systems built after April 2010)
- Adjustable air coolant
- Individually adjustable water coolant
- Silicone handpiece tubing

ASSISTANT'S INSTRUMENTATION

- Solids collector, 11 mm high-volume evacuator (HVE) and saliva ejector (SE)

WORKSURFACE

- 22.5" diameter (571.5 mm) round worksurface
- Height adjustable worksurface

NOTE: Touchpads are compatible with all A-dec 511, A-dec 411, A-dec 311, and Cascade 1040/ Performer III chairs built after August 2005. Cascade, Decade, and Performer III chairs built before August 2005 require a new circuit board (P/N 90.1029.02) to allow the touchpad to operate the chair.

NOTE: When left-hand configuration option is selected, the configuration will be a mirror image of the standard, right-hand, configuration.

LEGEND

- A** = Price reflects retail price adjustment to change from standard to optional feature
- C** = Touchpad required
- D** = Deluxe touchpad required
- E** = Requires control block position
- F** = Requires controller space
- G** = Requires access to 25-watt power supply
- H** = Requires access to 300-watt power supply
- I** = Requires Intraoral Light Source
- J** = Side exhausting Borden



0843

Estimated shipping weight: 94 lb. (43 kg)

541 12 O'Clock Duo Delivery System

DELIVERY SYSTEM BASE CHOICES	CONFIGURED PART NUMBER	PRICE	TOTAL	ITEM PART NUMBER	
541 12 O'Clock duo with deluxe touchpad	V0195.0103			-	
Mount Location					
<input type="checkbox"/> A-dec Inspire (591) or Preference Collection (5562, 5662, 5580)	V0055.0001			-	
<input type="checkbox"/> Stand-alone	V0055.0003			-	
Worksurface Choices, see page 155					
<input type="checkbox"/> Solid surface; color choice is:	V0334.0002			-	
<input type="checkbox"/> Quartz A ; color choice is:	V0334.0004			-	
<input type="checkbox"/> HPD laminate A ; color choice is:	V0334.0003			-	
<input type="checkbox"/> Standard tray holder (does not include tray)	V0070.0009			77.0462.01	
<input type="checkbox"/> Large tray holder (does not include tray)	V0070.0008			77.0543.01	
Foot Control Choices					
<input type="checkbox"/> Disc foot control (Wet/dry with chip blower/accessory button)	V0041.0006			38.1829.01	
<input type="checkbox"/> Lever foot control (Wet/dry with chip blower/accessory button)	V0041.0004			38.1871.03	
Quick Disconnect Choices					
<input type="checkbox"/> QD for self-contained water system	V0003.0009			90.1097.00	
<input type="checkbox"/> QD for air	V0003.0008			90.1098.00	
<input type="checkbox"/> A-dec relay module A	V0169.0001			90.1080.00	
<input type="checkbox"/> Filter elements (pkg of 6)	V0088.0001			24.0234.01	
<input type="checkbox"/> Moisture separator	V0156.0001			41.1477.00	
<input type="checkbox"/> Shut-off valve, compression	V0062.0002			026.062.00	
<input type="checkbox"/> Shut-off valve, threaded	V0062.0003			026.158.00	
300-watt power supply					
<input type="checkbox"/> 100 volts	V0060.0005			43.0259.00	
<input type="checkbox"/> 120 volts	V0060.0006			43.0260.00	
<input type="checkbox"/> 240 volts	V0060.0007			43.0261.00	
<input type="checkbox"/> Power supply connector kit (Required to connect 541 to A-dec 511 chair power supply)	V0060.0004			77.0707.00	
<input type="checkbox"/> Power supply connector kit (Required to connect 541 to A-dec 311 or 411 chair power supply)	V0060.0001			77.0980.00	
Delivery system base choices subtotal			\$		
DOCTOR'S CHOICES continued on next page	HANDPIECE POSITIONS	CONFIGURED PART NUMBER	PRICE	TOTAL	ITEM PART NUMBER
	0 1 2 3 4				
<input type="checkbox"/> Left-hand configuration		V0128.0002			-
Touchpad Choices					
<input type="checkbox"/> Standard touchpad		V0036.0003			90.1127.01
<input type="checkbox"/> No touchpad		V0036.0009			-
Syringe Choices					
QD syringe	<input type="checkbox"/> - - - -	V0267.0005			23.1303.00
Warm water QD syringe A	<input type="checkbox"/> - - - -	V0267.0004			23.1290.01
<input type="checkbox"/> No tubing	- <input type="checkbox"/> <input type="checkbox"/> <input type="checkbox"/> <input type="checkbox"/>	V0267.0003			-
Air Driven Silicone Handpiece Tubing					
3-hole A	- <input type="checkbox"/> <input type="checkbox"/> <input type="checkbox"/> <input type="checkbox"/>	V0267.0015			98.1109.00
4-hole	- <input type="checkbox"/> <input type="checkbox"/> <input type="checkbox"/> <input type="checkbox"/>	V0267.0002			98.1106.00
6-pin A	- <input type="checkbox"/> <input type="checkbox"/> <input type="checkbox"/> <input type="checkbox"/>	V0267.0001			98.1108.00
5-hole fiber-optic w/bulb A	- <input type="checkbox"/> <input type="checkbox"/> <input type="checkbox"/> <input type="checkbox"/>	V0267.0006			98.1107.00

541 12 O'Clock Duo Delivery System

DOCTOR'S CHOICES continued	HANDPIECE POSITIONS					CONFIGURED PART NUMBER	PRICE	TOTAL	ITEM PART NUMBER
	0	1	2	3	4				
Electric Motor Systems D E F H									
A-dec Manufacturing Partner W&H									
EA-53 electric motor and tubing	-	<input type="checkbox"/>	<input type="checkbox"/>	<input type="checkbox"/>	<input type="checkbox"/>	V0267.0064			54.0498.00
Control module for EA-53									
<input type="checkbox"/> Single position CM 1.2						V0053.0004			54.0479.03
<input type="checkbox"/> Dual position CM 2.2						V0053.0005			54.0480.03
A-dec Manufacturing Partner NSK									
NLZ electric motor and tubing	-	<input type="checkbox"/>	<input type="checkbox"/>	<input type="checkbox"/>	<input type="checkbox"/>	V0267.0081			54.0606.01
<input type="checkbox"/> Control module for NLZ						V0053.0006			54.0601.01
NLX nano electric motor and tubing	-	<input type="checkbox"/>	<input type="checkbox"/>	<input type="checkbox"/>	<input type="checkbox"/>	V0267.0065			54.0447.01
<input type="checkbox"/> Control module for NLX						V0053.0003			54.0437.01
Curing Light Choices H									
<input type="checkbox"/> Holder only						V0462.0001			99.0653.03
Satelec									
<input type="checkbox"/> Satelec Mini LED curing light						V0267.0014			54.0291.00
<input type="checkbox"/> Satelec ScanWave curing light						V0267.0050			54.0474.00
Intraoral Camera Systems E F H									
Acteon									
Dock Modules									
Analog and USB2	-	<input type="checkbox"/>	<input type="checkbox"/>	<input type="checkbox"/>	<input type="checkbox"/>	V0267.0067			54.0311.00
USB 2 only	-	<input type="checkbox"/>	<input type="checkbox"/>	<input type="checkbox"/>	<input type="checkbox"/>	V0267.0075			54.0584.00
Handpieces									
<input type="checkbox"/> SoproCare intraoral camera handpiece only, NTSC						V0043.0011			54.0471.00
<input type="checkbox"/> SoproCare intraoral camera handpiece only, PAL						V0043.0010			54.0472.00
<input type="checkbox"/> SoproLIFE intraoral camera handpiece only, NTSC						V0043.0009			54.0392.00
<input type="checkbox"/> SoproLIFE intraoral camera handpiece only, PAL						V0043.0008			54.0393.00
<input type="checkbox"/> Sopro 717 First intraoral camera handpiece only, NTSC						V0043.0006			54.0421.00
<input type="checkbox"/> Sopro 717 First intraoral camera handpiece only, PAL						V0043.0007			54.0422.00
<input type="checkbox"/> Sopro 617 intraoral camera handpiece only, NTSC						V0043.0005			54.0263.00
<input type="checkbox"/> Sopro 617 intraoral camera handpiece only, PAL						V0043.0002			54.0264.00
Ultrasonic Instrument Systems D E F H									
Satelec									
Satelec Newtron Slim control module and cord set	-	<input type="checkbox"/>	<input type="checkbox"/>	<input type="checkbox"/>	<input type="checkbox"/>	V0267.0073			54.0583.00
Handpieces									
<input type="checkbox"/> Satelec Newtron Slim B.LED ultrasonic handpiece only						V0158.0004			54.0581.00
<input type="checkbox"/> Satelec Newtron Slim ultrasonic handpiece only						V0158.0005			54.0580.00
<input type="checkbox"/> Satelec ultrasonic instrument tip kit						V0196.0001			54.0406.00
Dentsply									
Cavitron Steri-Mate handpiece, module, cord set, and insert	-	<input type="checkbox"/>	<input type="checkbox"/>	<input type="checkbox"/>	<input type="checkbox"/>	V0267.0076			
Cavitron Steri-Mate 360 handpiece, module, cord set, and insert	-	<input type="checkbox"/>	<input type="checkbox"/>	<input type="checkbox"/>	<input type="checkbox"/>	V0267.0077			
Doctor's choices subtotal								\$	

541 12 O'Clock Duo Delivery System

ASSISTANT'S CHOICES	HANDPIECE POSITIONS					CONFIGURED PART NUMBER	PRICE	TOTAL	ITEM PART NUMBER
	0	1	2	3	4				
541 12 O'Clock worksurface and instrumentation						V0006.0008			-
<input type="checkbox"/> Standard touchpad						V0007.0002			90.1128.01
Syringe Choices									
<input type="checkbox"/> QD syringe						V0267.0044			23.1303.00
<input type="checkbox"/> Warm water QD syringe						V0267.0061			23.1294.01
<input type="checkbox"/> No tubing						V0267.0003			-
Curing Light Module 									
Holder only	-	-	-	-	-	V0462.0001			99.0653.03
Satelec Mini LED curing light <small>(Requires holder)</small>	-	<input type="checkbox"/>	<input type="checkbox"/>	<input type="checkbox"/>	<input type="checkbox"/>	V0004.0014			54.0291.00
Satelec ScanWave curing light <small>(Requires holder)</small>	-	<input type="checkbox"/>	<input type="checkbox"/>	<input type="checkbox"/>	<input type="checkbox"/>	V0004.0050			54.0474.00
<input type="checkbox"/> Auto-electric holders <small>(If selected with second HVE, dual turret is required)</small>						V0402.0002			-
<input type="checkbox"/> Dual turret configuration						V0403.0001			-
<input type="checkbox"/> Large bore 15mm HVE <small>(Available with auto-electric selection)</small>						V0200.0002			-
<input type="checkbox"/> Additional HVE and holder						V0087.0003			-
Choose one:									
<input type="checkbox"/> Flex-holder for syringe or SE; non-active						V0005.0007			99.0705.01
<input type="checkbox"/> Flex-holder for Standard 11mm HVE; non-active						V0005.0001			99.0706.01
<input type="checkbox"/> Flex-holder for Large Bore 15mm HVE; non-active						V0005.0002			99.0707.01
<input type="checkbox"/> Remote stainless steel floor box with cover and 7' (2134 mm) umbilical						V0040.0014			41.1490.01
Assistant's choices subtotal								\$	
Delivery system base choices subtotal								\$	
Doctor's choices subtotal								\$	
Subtotal of all sections								\$	
Quantity								x	
Grand Total								\$	

545 12 O'Clock Assistant's Instrumentation



White A-dec 545 assistant's instrumentation shown with 3-position holder with QD syringe, saliva ejector, HVE and optional touchpad

STANDARD FEATURES

- White color with gray accents
- Designed for use with A-dec Inspire 591, Preference Collection 5562, 5662, 5580, or stand-alone. Please refer to the electronic catalog for ordering information.
- Multi-positionable instrumentation
- 2-liter self-contained water system with quick-disconnect (QD) water bottle
- 11 mm high-volume evacuator (HVE) and saliva ejector (SE)
- Utilities
- Floor mounting bracket

WORKSURFACE

- 22.5" diameter (571.5 mm) round worksurface
- Height-adjustable worksurface

NOTE: Touchpads are compatible with all A-dec 511, A-dec 411, A-dec 311 chairs, and Cascade 1040/Performer III built after August 2005. Cascade, Decade, and Performer III chairs built before August 2005 require a new circuit board (P/N 90.1029.02) to allow the touchpad to operate the chair.

LEGEND

- A** = Price reflects retail price adjustment to change from standard to optional feature
- C** = Touchpad required
- D** = Deluxe touchpad required
- E** = Requires control block position
- F** = Requires controller space
- G** = Requires access to 25-watt power supply
- H** = Requires access to 300-watt power supply
- I** = Requires Intraoral Light Source
- J** = Side exhausting Borden



Estimated shipping weight: 89 lb. (40 kg)

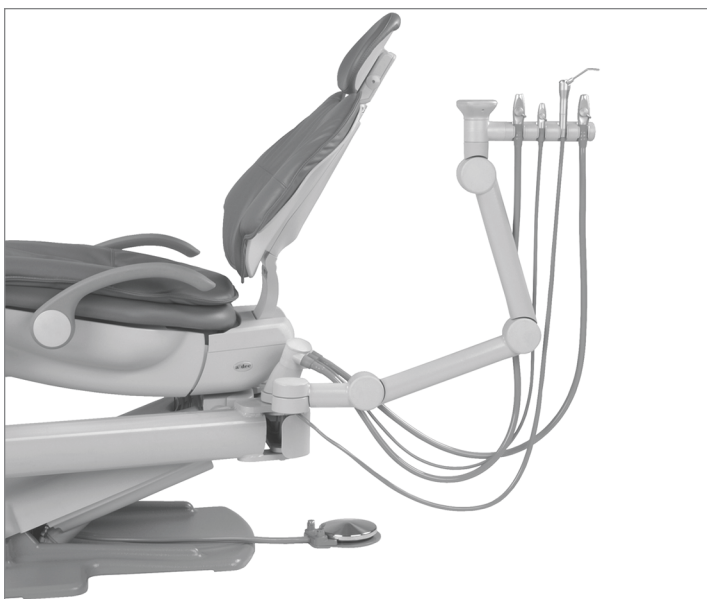
545 12 O'Clock Assistant's Instrumentation

ASSISTANT'S INSTRUMENTATION CHOICES continued on next page	CONFIGURED PART NUMBER	PRICE	TOTAL	ITEM PART NUMBER
545 12 O'Clock worksurface and instrumentation	V0195.0125			-
Mount Location				
<input type="checkbox"/> A-dec Inspire (591) or Preference Collection (5562, 5662, 5580)	V0055.0001			-
<input type="checkbox"/> Stand-alone	V0055.0003			-
Worksurface Choices, see page 159				
<input type="checkbox"/> Solid surface; color choice is:	V0334.0002			
<input type="checkbox"/> Quartz (A) ; color choice is:	V0334.0004			
<input type="checkbox"/> HPD laminate (A) ; color choice is:	V0334.0003			
<input type="checkbox"/> Standard tray holder (does not include tray)	V0070.0009			77.0462.01
<input type="checkbox"/> Large tray holder (does not include tray)	V0070.0008			77.0543.01
<input type="checkbox"/> QD for air	V0003.0008			90.1098.00
<input type="checkbox"/> QD for self-contained water system	V0003.0009			90.1097.00
<input type="checkbox"/> A-dec relay module (I)	V0169.0001			90.1080.00
25-watt power supply				
<input type="checkbox"/> 100 volts	V0060.0011			28.1479.00
<input type="checkbox"/> 120 volts	V0060.0010			28.1480.00
<input type="checkbox"/> 240 volts	V0060.0009			28.1481.00
300-watt power supply				
<input type="checkbox"/> 100 volts	V0060.0005			43.0259.00
<input type="checkbox"/> 120 volts	V0060.0006			43.0260.00
<input type="checkbox"/> 240 volts	V0060.0007			43.0261.00
<input type="checkbox"/> Power supply connector kit; (Required to connect A-dec 545 to A-dec 511 chair power supply)	V0060.0016			77.0708.00
<input type="checkbox"/> Power supply connector kit; (Required to connect A-dec 545 to A-dec 311 or 411 chair power supply)	V0060.0015			77.0981.00
<input type="checkbox"/> Worksurface only - no holder	V0404.0002			-
<input type="checkbox"/> Assistant's standard touchpad (G)	V0007.0002			90.1128.01
Autoclavable Syringe				
<input type="checkbox"/> Assistant's QD syringe	V0267.0044			23.1303.00
<input type="checkbox"/> Assistant's warm water QD syringe (H)	V0267.0061			23.1294.01
<input type="checkbox"/> No tubing	V0267.0003			-
Curing Light Choices (H)				
<input type="checkbox"/> Holder only	V0462.0001			99.0653.03
<input type="checkbox"/> Satelec Mini LED curing light (Requires holder)	V0004.0014			54.0291.00
<input type="checkbox"/> Satelec ScanWave curing light (Requires holder)	V0004.0050			54.0474.00
<input type="checkbox"/> Auto-electric holders (If selected with additional HVE, dual turret is required)	V0402.0002			-
<input type="checkbox"/> Dual turret configuration	V0403.0001			-
<input type="checkbox"/> Large bore 15mm HVE (Available with auto-electric selection)	V0200.0002			-
<input type="checkbox"/> Additional HVE and holder	V0087.0003			-

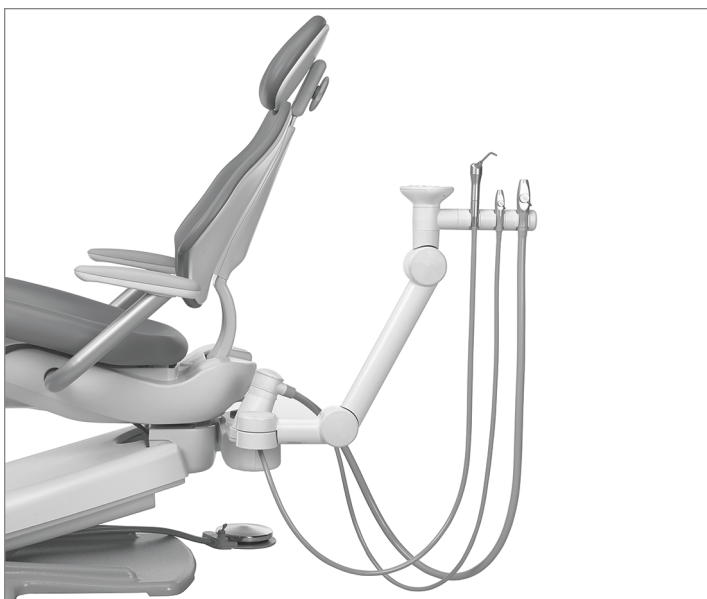
545 12 O'Clock Assistant's Instrumentation

ASSISTANT'S INSTRUMENTATION CHOICES continued	CONFIGURED PART NUMBER	PRICE	TOTAL	ITEM PART NUMBER
Choose one:				
<input type="checkbox"/> Flex-holder for syringe or SE; non-active	V0005.0007			99.0705.01
<input type="checkbox"/> Flex-holder for Standard 11mm HVE; non-active	V0005.0001			99.0706.01
<input type="checkbox"/> Flex-holder for Large Bore 15mm HVE; non-active	V0005.0002			99.0707.01
<input type="checkbox"/> Shut-off valve, compression	V0062.0002			026.062.00
<input type="checkbox"/> Shut-off valve, threaded	V0062.0003			026.158.00
<input type="checkbox"/> Remote stainless steel floor box with cover and 7' (2,134mm) umbilical	V0040.0014			41.1490.01
Assistant's instrumentation choices subtotal			\$	
Subtotal of all sections			\$	
Quantity			x	
Grand Total			\$	

551 Assistant's Instrumentation



A-dec 511 chair shown with A-dec 551 long assistant's arm, single 4-position holder, and dual HVE



A-dec 411 chair shown with A-dec 551 short assistant's arm and single 3-position holder

LEGEND

- A** = Price reflects retail price adjustment to change from standard to optional feature
- C** = Touchpad required
- D** = Deluxe touchpad required
- E** = Requires control block position
- F** = Requires controller space
- G** = Requires access to 25-watt power supply
- H** = Requires access to 300-watt power supply
- I** = Requires Intraoral Light Source
- J** = Side exhausting Borden



Estimated shipping weight: 39 lb. (18 kg)
UPS shipping available

STANDARD FEATURES

- White color with gray accents
- Standard multi-function touchpad
- Touchpad designed to be used as a handle for easy positioning of the assistant's arm
- Maximized vacuum flow
- 11 mm high-volume evacuator (HVE) and saliva ejector (SE)
- Three common connection ports for SE and HVE
- Solids collector mounted on support link
- Mounts to A-dec 511, A-dec 411 or A-dec 311 dental chair

LONG ARM

- Vertical and horizontal adjustments

SHORT ARM

- Horizontal adjustments

NOTE: Assistant's Instrumentation purchased without a chair-mounted delivery system requires a floor box and utilities. If a self-contained water system is desired, then you must order a lower support arm and support center or a remote mount water bottle kit (P/N 14.0471.00).

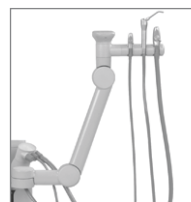
NOTE: The A-dec 551 assistant's Instrumentation is not compatible with the A-dec 362 support center when mounted to the A-dec 511, 411, or 311 chair.

MODEL COMPATIBILITY MATRIX

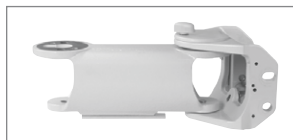
	400 SUPPORT LINK	500 SUPPORT LINK
A-dec 511 Chair	✓	✓
A-dec 551 assistant's instrumentation	✓	✓
A-dec 561 Cuspidor / Support center		✓
A-dec 581 Monitor mount		✓
A-dec 571 Light		✓
A-dec 411 Chair	✓	
A-dec 461 Cuspidor	✓	
A-dec 311 Chair	✓	



Long arm



Short arm



Support link with cover



400 Support link

551 Assistant's Instrumentation

ASSISTANT'S INSTRUMENTATION CHOICES	CONFIGURED PART NUMBER	PRICE	TOTAL	ITEM PART NUMBER
551 Rear-mount adjustable arm	V0195.0146			-
Arm Style				
<input type="checkbox"/> Short arm	V0030.0001			-
<input type="checkbox"/> Long arm	V0030.0004			-
Stand-alone utilities for post mount water bottle kit (with 3' umbilical):				
<input type="checkbox"/> For 511 chair	V0071.0007			41.1519.00
<input type="checkbox"/> For 411 or 311 chair				41.1521.00
Umbilical extension - 10' (3048mm):				
<input type="checkbox"/> For 511 chair	V0117.0001			41.1483.01
<input type="checkbox"/> For 411 or 311 chair				41.1522.00
Autoclavable Syringe				
<input type="checkbox"/> Assistant's QD syringe	V0267.0044			23.1303.00
<input type="checkbox"/> Assistant's warm water QD syringe I	V0267.0061			23.1306.01
<input type="checkbox"/> No tubing	V0267.0003			-
Curing Light Module I				
<input type="checkbox"/> Holder only	V0462.0001			99.0653.03
<input type="checkbox"/> Satelec Mini LED curing light (Requires holder)	V0004.0014			54.0291.00
<input type="checkbox"/> Satelec ScanWave curing light (Requires holder)	V0004.0050			54.0474.00
<input type="checkbox"/> Auto-electric holders (If selected with additional HVE, dual turret is required)	V0402.0002			-
<input type="checkbox"/> Dual turret configuration	V0403.0001			-
<input type="checkbox"/> Large bore 15mm HVE (Available with auto-electric selection)	V0200.0002			-
<input type="checkbox"/> Additional HVE and holder	V0087.0003			-
Support link style:				
<input type="checkbox"/> 500 Support link	V0090.0001			77.1020.00
<input type="checkbox"/> 400/300 Support link	V0090.0002			77.1256.00
<input type="checkbox"/> Shut-off valve, compression	V0062.0002			026.062.00
<input type="checkbox"/> Shut-off valve, threaded	V0062.0003			026.158.00
Master toggle kit	V0113.0001			90.1088.01
Assistant's instrumentation choices subtotal			\$	
Quantity			x	
Grand Total			\$	

LEGEND

- A** = Price reflects retail price adjustment to change from standard to optional feature
- B** = Additional handpiece position required
- C** = Touchpad required
- D** = Deluxe touchpad required
- E** = Requires control block position
- F** = Requires controller space
- G** = Requires access to 25-watt power supply
- H** = Requires access to 300-watt power supply
- I** = Requires Intraoral Light Source
- J** = Side exhausting Borden

561 Cuspidor and Support Center

STANDARD FEATURES

SUPPORT CENTER

- 24 VAC accessory accommodation
- Integrates self-contained water for chairs without delivery system
- White color with gray accents
- Mounts only on A-dec 511 dental chair
- Easy left/right conversion

CUSPIDOR

- Vitreous china bowl with bowl screen
- Accommodates large tumbler
- Rotates $\pm 90^\circ$
- Programmable cup fill and bowl rinse timers

NOTE: Floor box and utilities are required for self-contained water for the cuspidor or support centers when purchased without a chair-mounted delivery system. Requires bolting chair to the floor.



511 Chair with 561 cuspidor and support center (shown with 581 monitor mount. See monitor mount section for ordering details.)

SUPPORT SYSTEM REQUIREMENTS

	SUPPORT LINK	LOWER SUPPORT ARM
A-dec 551 assistant's instrumentation	✓	
A-dec 561 Cuspidor	✓	✓
A-dec 581 Monitor mount	✓	✓
A-dec 571 Light	✓	✓



Estimated shipping weight:
 561 w/cuspidor - 76 lb. (34 kg)
 561 w/cuspidor, support link, and lower arm - 120 lb. (54 kg)
 UPS shipping available

561 Cuspidor and Support Center

CUSPIDOR/SUPPORT CENTER

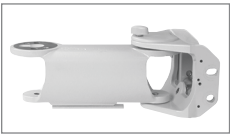


A-dec 561 cuspidor with support center



A-dec 561 support center only

SUPPORT ITEMS (SEE REQUIREMENTS ON PREVIOUS PAGE)



Support link with cover



Lower support arm

NOT SHOWN:
 Contoured floor box
 Master toggle kit
 Cup fill water bottle
 10' umbilical

NOTE: Must have support link and lower support arm to mount A-dec 561 to A-dec 511 dental chair.

SUPPORT CENTER CHOICES	CONFIGURED PART NUMBER	PRICE	TOTAL	ITEM PART NUMBER
561 Support center	V0195.0240			-
<input type="checkbox"/> Cuspidor	V0111.0010			-
<input type="checkbox"/> Master toggle kit*	V0113.0001			90.1088.01
<input type="checkbox"/> Shut-off valve, compression (x2)	V0062.0007			026.062.00
<input type="checkbox"/> Shut-off valve, threaded (x2)	V0062.0006			026.158.00
<input type="checkbox"/> 3' (914 mm) umbilical and utilities for post mount water bottle kit*	V0071.0007			41.1519.00
<input type="checkbox"/> 10' (3,048 mm) umbilical	V0117.0001			41.1483.01
<input type="checkbox"/> Cup fill water bottle (2 liter)*	V0116.0001			14.0464.02
<input type="checkbox"/> Support link	V0090.0001			77.1020.00
<input type="checkbox"/> Lower support arm	V0091.0001			77.1029.00
Support center choices subtotal			\$	
Quantity			x	
Grand Total			\$	

*NOTE: Required when ordered without chair mounted delivery system



A-dec 500 Standard Touchpad

A-DEC 500 STANDARD TOUCHPAD FEATURES

The standard touchpad offers four programmable chair position buttons, a dental light button with high, medium and composite/cure safe settings, and cuspidor bowl rinse and cup fill buttons, or two A-dec relay function buttons (a1 and a2). The A-dec intraoral camera can work with a standard touchpad, in holder position 1. The A-dec EA-52LED electric motor is not compatible with the standard touchpad.

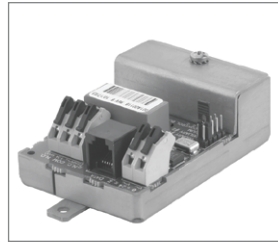
A-DEC 500 DELUXE TOUCHPAD FEATURES

The deluxe touchpad offers the same functionality as the standard touchpad, as well as the ability to easily integrate accessories. It also allows individual programming for two operators. The A-dec electric motor was specifically designed to integrate with the A-dec 500 system and to be controlled from the deluxe touchpad. The deluxe touchpad supports various combinations of A-dec electric motors.

Dual operator modes, air and water coolant buttons, four memory buttons and forward/reverse buttons are designed to bring efficiency and technology into the treatment room. Intraoral camera, electric motors, ultrasonic instruments, and curing lights are offered with the deluxe touchpad in a variety of holder positions.

ENDODONTIC FEATURES INCLUDE:

- Programmable speed and torque settings for ease of use and safety
- Auto-sensing with auto-forward, auto-stop and auto-reverse
- Up to 16 memory presets per handpiece position
- Single-button push between endo and standard modes for efficiency
- Handpiece auto-position sensing

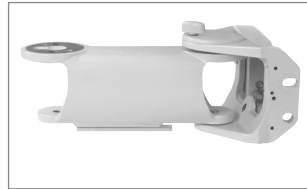


A-dec relay module

A-DEC RELAY MODULE FEATURES

The A-dec relay module allows flexibility in turning on and off electrical devices within the treatment room or building from one of the touchpads. The A-dec relay module can be used for items such as non-A-dec lighting or equipment. This module functions with both the standard and deluxe touchpads. It operates similar to an air-electric switch but uses electrical signals from the data communication system instead of air signals.

A-dec recommends installation of the A-dec relay module be performed by a certified electrical technician.

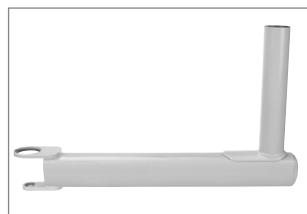


Support link

SUPPORT LINK FEATURES

The A-dec 500 assistant's instrumentation, cuspidor, support center, monitor mount, and light are modular, offering the flexibility to choose as many or as few items as needed. This system starts with the support link.

The support link is the hub for all product mounted off the back of the chair. The assistant's instrumentation is the only product mounted on the back of the chair that requires just the support link. The rest of the support system requires both a support link and a lower support arm.



Lower support arm

LOWER SUPPORT ARM FEATURES

The lower support arm is the next foundation piece for products mounted off the back of the chair. The cuspidor, support center, light, and monitor mount all require both a support link and lower support arm to install on an A-dec 511 chair.



A-dec 300 on 511 chair mount

A-DEC 300 ON 500 CHAIR MOUNT FEATURES

The chair mount provides single or dual mounting of select A-dec 300 modules on the A-dec 500 chair. This flexible hub can support single mounting of A-dec 300 Radius®-style delivery systems, lights or Radius monitor. Dual mounting will allow a combination of Radius delivery with a light or monitor.

A-dec 400 System



SECTION CONTENTS

411 Dental Chair	40
461 Cuspidor and Support Center	41

A-dec 400 Radius System

Back **B**

Products that are connected to the back-mount of the chair.



461 support center/cuspidor



551 assistant's instrumentation
(shown with 461, compatible with or without cuspidor)



351 assistant's instrumentation
(not compatible with cuspidor)



Front **F**

Products that are connected to the front-mount of the chair.

Dual Mount Choices



332 Traditional delivery system
(shown)



333 Continental delivery system



336 Traditional delivery system



572L dental light (shown)



372L dental light



382 monitor mount

Light post monitor options

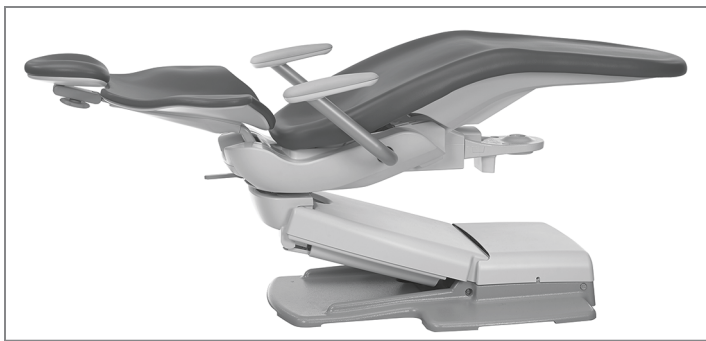


381 monitor mount (mounts to light post) (shown)

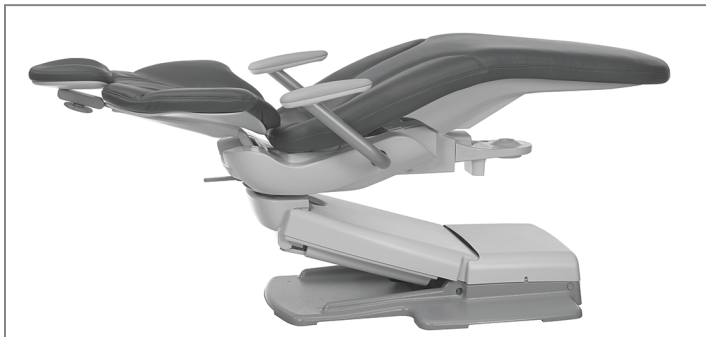


482 monitor mount (mounts to light post)

411 Dental Chair



A-dec 411 dental chair shown with formed upholstery



A-dec 411 dental chair shown with sewn upholstery

STANDARD FEATURES

- Dual-articulating gliding headrest
- Ultra-thin 1" (25 mm) flexible backrest*
- 2-position armrests
- Hybrid drive system (electromechanical back, hydraulic base)
- Chair swivels 60° (30° each side of center)
- Integrated 300-watt power supply
- Chair adapter for single or dual front mounting of A-dec 300 delivery system, A-dec dental light, and/or Monitor
- UL rated to 400 lb. (181 kg.) maximum patient load**
- Range:
Low point: 13.75" (349 mm)***
High point 31.5" (800 mm)

NOTE: Chair requires touchpad or footswitch to operate.

NOTE: *Based on formed upholstery.

NOTE: ** Load rating is based on UL requirement of 4X (1600 lb./725 kg.) overload static testing.

NOTE: *** Low point: 14.75" (375 mm) when dual mounting.



Locking knob headrest



Lever release headrest

CHAIR CHOICES	CONFIGURED PART NUMBER	PRICE	TOTAL	ITEM PART NUMBER
A-dec 411 chair without upholstery	V0195.0083			-
<input type="checkbox"/> 100 VAC <input type="checkbox"/> 120 VAC <input type="checkbox"/> 240 VAC				
Upholstery Choices				
<input type="checkbox"/> Formed upholstery	V0075.0014			-
<input type="checkbox"/> Sewn upholstery	V0075.0013			-
Headrest Choices				
<input type="checkbox"/> Locking knob	V0035.0002			-
<input type="checkbox"/> Lever release A	V0035.0001			90.1091.01
<input type="checkbox"/> Programmable footswitch	V0042.0002			62.0163.01
Floor box choices				
<input type="checkbox"/> None	V0040.0002			-
<input type="checkbox"/> Contoured	V0040.0001			41.1506.01
Chair choices subtotal			\$	
Quantity			x	
Grand Total			\$	

UPHOLSTERY COLOR CHOICES

Formed

- Amethyst
- Black
- Driftwood
- Hazelnut
- Indigo
- Lemongrass
- Paprika
- Sapphire
- Sky Blue
- Tawny

Sewn

- Apricot
- Arctic
- Butterfly
- Campfire
- Cave
- Chamois
- Charcoal
- Curry
- Cyan
- Diplomat Blue

- Ebony
- Fuchsia
- Granite
- Lapis
- Pacific
- Papyrus
- Parrot
- Pecan
- Plum
- Red

- Riviera
- Sable
- Sassy
- Sea Mist
- Silver Pearl
- Sky
- Sorbet
- Timberwolf
- Vintage
- Violet



Estimated shipping weight: 410 lb. (186 kg)
10 Amp maximum

461 Cuspidor and Support Center

STANDARD FEATURES

- White color with gray accents
- Vitreous china bowl with bowl screen
- Accommodates large tumbler
- Rotates +/- 45°
- Back mount radius hub for easy left / right conversion
- Programmable cup fill and bowl rinse timers
- Mounts to A-dec 511, A-dec 411, or A-dec 311 dental chairs
- Accommodates amalgam separator -or- cup fill water bottle
- Support link and support arm



A-dec 461 cuspidor and support center

NOTE: Master toggle and cup fill water bottle are only necessary if cuspidor is on a chair without a chair-mounted delivery system.

CUSPIDOR AND SUPPORT CENTER CHOICES	CONFIGURED PART NUMBER	PRICE	TOTAL	ITEM PART NUMBER
A-dec 461 cuspidor and support center	V0195.0089			-
Stand-alone utilities for post mount water bottle kit (with 3' umbilical)*				
<input type="checkbox"/> For 511 chair	V0100.0001			41.1519.00
<input type="checkbox"/> For 411 or 311 chair	V0100.0003			41.1521.00
<input type="checkbox"/> Master toggle kit*	V0113.0001			90.1088.01
<input type="checkbox"/> Shut-off valve, compression (x2)	V0062.0007			026.062.00
<input type="checkbox"/> Shut-off valve, threaded (x2)	V0062.0006			026.158.00
Umbilical extension - 10' (3048mm)				
<input type="checkbox"/> For 511 chair	V0117.0003			41.1483.01
<input type="checkbox"/> For 411 or 311 chair	V0117.0004			41.1522.00
<input type="checkbox"/> Additional cup fill water bottle*	V0116.0001			14.0464.02
Cuspidor and support center choices Subtotal			\$	
Quantity			x	
Grand Total			\$	

NOTE: *Required when ordered without chair mounted delivery system.

OPTIONAL MOUNTING HARDWARE	PART NUMBER	PRICE	TOTAL
Hub & spacer kit**	90.1422.00		

NOTE: **To achieve full range of motion on a single-mount light or Radius monitor mount used with a 461 support center, order the hub & spacer kit (90.1422.00)



Estimated shipping weight:
66 lb. (30 kg)
UPS shipping available

A-dec 300 System



SECTION CONTENTS

Chair

311 Dental Chair48

Delivery

333/335 Continental
Delivery Systems51

332/334/336 Traditional
Delivery Systems54

Assistant's Instrumentation / Support

351 Assistant's Instrumentation58

352 Assistant's Instrumentation59

353 Assistant's Instrumentation60

362/363 Cuspidor and Support Center 61

DELIVERY SYSTEM CHOICES



Standard touchpad



Deluxe touchpad



Lever foot control

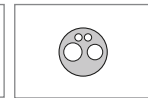


Disc foot control

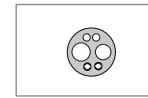
Tubing options:



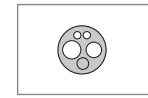
3-hole **E**



4-hole **E**



6-pin fiber-optic **E**



5-hole fiber-optic with bulb **E**



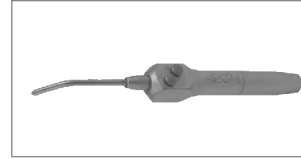
A-dec EA-53 electric motor



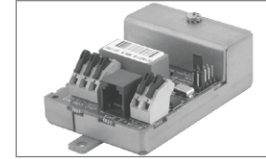
A-dec NSK NLX nano electric motor



A-dec NSK NLZ electric motor



Autoclavable warm water syringe



A-dec relay module



Satelec Mini LED curing light



Satelec ScanWave curing light



SoproLIFE Intraoral camera handpiece only



SoproCare Intraoral camera handpiece only



Sopro 717 First Intraoral camera handpiece only



Sopro 617 Intraoral camera handpiece only



Satelec Newtron Slim B.LED ultrasonic handpiece



Satelec Newtron Slim ultrasonic handpiece



Dentsply Cavitron Steri-Mate ultrasonic handpiece



Dentsply Cavitron Steri-Mate 360 ultrasonic handpiece



Brake Handle Kit

TRAY CHOICES



Standard tray holder (332/334)



Large tray holder (332/334)

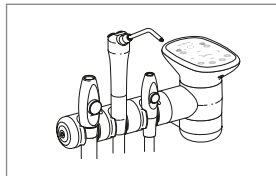


Standard tray holder (333/335)

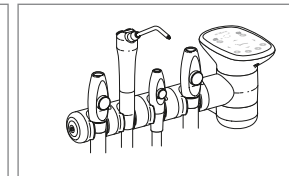


Large tray holder (333/335)

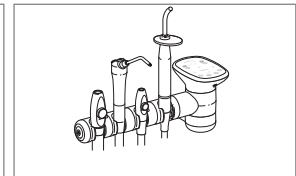
ASSISTANT'S CHOICES (FOR 351, 352, 353)



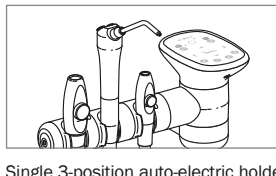
Single 3-position holder assembly with optional touchpad



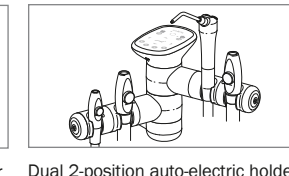
Single 4-position holder assembly with dual HVE and optional touchpad



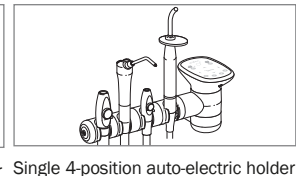
Single 4-position holder assembly with curing light, and optional touchpad



Single 3-position auto-electric holder assembly with 11 or 15 mm HVE, QD syringe, SE, and standard touchpad



Dual 2-position auto-electric holder assembly with 11 or 15 mm HVE, QD syringe, HVE, SE, and standard touchpad



Single 4-position auto-electric holder assembly with 11 or 15 mm HVE, QD syringe, SE, curing light, and standard touchpad

A-dec 300 Radius System

Availability varies: Contact Customer Service for your region's availability.

Back **B**

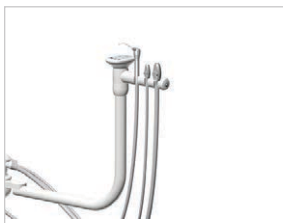
Products that are connected to the back-mount of the chair.



461 support center/cuspidor



551 assistant's instrumentation
(shown with 461, compatible with or without cuspidor)



351 assistant's instrumentation
(not compatible with cuspidor)



Front **F**

Products that are connected to the front-mount of the chair.

Dual Mount Choices



332 Traditional delivery system
(shown)



333 Continental delivery system



336 Traditional delivery system



572L dental light (shown)



372L dental light

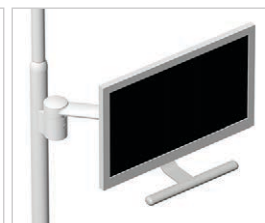


382 monitor mount

Light post monitor options



381 monitor mount
(mounts to light post)



482 monitor mount
(shown mounts to light post)

A-dec 300 Dedicated Left-Right System

Availability varies: Contact Customer Service for your region's availability.

Side

Products that are connected to the side-mount of the chair. Left or right option is available.



362 post-mounted support center with cuspidor or without cuspidor (shown)



334 Traditional delivery system (shown)



335 Continental delivery system



352 telescoping assistant's instrumentation (shown)



353 cuspidor-mounted assistant's instrumentation



571L dental light



371L dental light (shown)



381 monitor mount (mounts to light post)



482 monitor mount (mounts to light post)



A-dec 300 Dedicated Left-Right System (Pedestal System)

Availability varies: Contact Customer Service for your region's availability.

Side

Products that are connected to the side-mount of the chair. Left or right option is available.



363 post-mounted support center with cuspidor (shown) or without cuspidor



364 Traditional delivery system



365 Continental delivery system (shown)



352 telescoping assistant's instrumentation



353 cuspidor-mounted assistant's instrumentation (shown)



351L dental light



371L dental light (shown)



381 monitor mount (mounts to light post)



482 monitor mount (mounts to light post)



311 Dental Chair

Availability varies: Contact Customer Service for your region's availability.



A-dec 311 dental chair shown with formed upholstery



A-dec 311 Radius dental chair with sewn upholstery

STANDARD FEATURES

- Dual-articulating gliding headrest
- Ultra-Thin 1.25" (32 mm) flexible backrest*
- 2-position armrests
- Hybrid drive system (electromechanical tilt, hydraulic base)
- Integrated 300-watt power supply
- Chair adapter for single or dual front mounting of A-dec 300 delivery system, A-dec dental light, and/or monitor
- Accepts dedicated left or right Pedestal or Radius equipment modules
- UL rated to 400 lb. (181 kg.) maximum patient load**
- Range:
Low point: 13.75" (349 mm)***
High point: 31.5" (800 mm)

NOTE: Chair requires touchpad or footswitch to operate.

NOTE: *Based on formed upholstery.

NOTE: **Load rating is based on UL requirement of 4X (1600 lb./725 kg.) overload static testing.

NOTE: ***Low point: 14.75" (375 mm) when dual mounting.



A-dec 311 dental chair without armrests

CHAIR CHOICES	CONFIGURED PART NUMBER	PRICE	TOTAL	ITEM PART NUMBER
A-dec 311 chair without upholstery	V0195.0016			-
<input type="checkbox"/> 100 VAC <input type="checkbox"/> 120 VAC <input type="checkbox"/> 240 VAC				
Upholstery Choices				
<input type="checkbox"/> Formed upholstery	V0075.0014			-
<input type="checkbox"/> Sewn upholstery	V0075.0013			-
<input type="checkbox"/> Less armrests	V0083.0003			-
<input type="checkbox"/> Programmable footswitch	V0042.0002			62.0163.01
Floor Box Choices				
<input type="checkbox"/> Contoured	V0040.0001			41.1540.00
Chair choices subtotal			\$	
Quantity			x	
Grand Total			\$	

UPHOLSTERY COLOR CHOICES

Formed

- Amethyst
- Black
- Driftwood
- Hazelnut
- Indigo
- Lemongrass
- Paprika
- Sapphire
- Sky Blue
- Tawny

Sewn

- Apricot
- Arctic
- Butterfly
- Campfire
- Cave
- Chamois
- Charcoal
- Curry
- Cyan
- Diplomat Blue
- Ebony
- Fuchsia
- Granite
- Lapis
- Pacific
- Papyrus
- Parrot
- Pecan
- Plum
- Red
- Riviera
- Sable
- Sassy
- Sea Mist
- Silver Pearl
- Sky
- Sorbet
- Timberwolf
- Vintage
- Violet



Estimated shipping weight: 401 lb. (182 kg)
10 Amp maximum

300 Delivery Systems: Getting Started

Availability varies: Contact Customer Service for your region's availability.



A-dec 335 Continental delivery system shown with optional handpiece tubings and deluxe touchpad



A-dec 334 Traditional delivery system shown with optional handpiece tubings and deluxe touchpad

HELPFUL TIPS IN CONFIGURING YOUR DELIVERY SYSTEM

- Position 0: Syringe only
- Position 1: Curing light or blank with 3-position block
 - Handpiece or clinical product available with 4th block position
- Positions 2-4: Use these three holder positions to configure your handpieces and clinical products

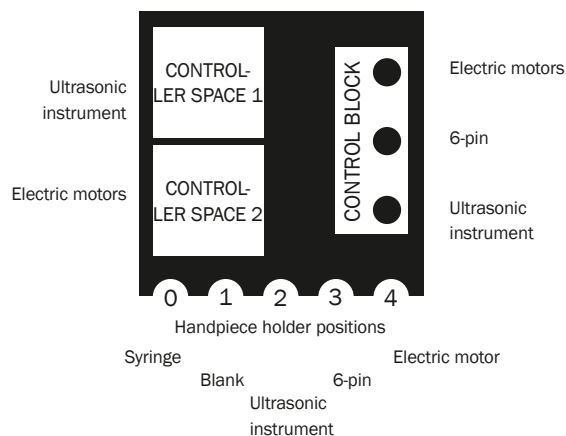
THE CONTROL HEAD CONTAINS:

- Space for up to 2 clinical product controllers
- Control block with optional 4 block positions

IMPORTANT:

As you select your handpieces you will use a mix of control block positions and spaces for up to two ancillary controllers. Your combination of handpieces cannot exceed the number of available controller spaces (2) or block positions (4). Since controller spaces dictate your choice of handpieces, it is easier to start your handpiece configuration by considering the most critical applications and determining how many controller spaces are required.

A-DEC 300 CONTROL HEAD LAYOUT - EXAMPLE: A-DEC 334 DELIVERY SYSTEM



Position 0: Autoclavable QD syringe

Position 1: Blank

Position 2: Ultrasonic instrument

Position 3: 6-pin silicone tubing

Position 4: Electric motor



300 Touchpad Options

Availability varies: Contact Customer Service for your region's availability.



A-dec 300 standard touchpad



A-dec 300 deluxe touchpad

A-DEC 300 STANDARD TOUCHPAD FEATURES

The standard touchpad offers four programmable chair position buttons, a dental light button with high and composite cure safe settings, and cuspidor bowl rinse and cup fill buttons.

A-DEC 300 DELUXE TOUCHPAD FEATURES

The deluxe touchpad offers the same functionality as the standard touchpad, as well as the ability to easily integrate accessories. It supports up to two electric motors and an ultrasonic instrument.

The pre-set buttons and clinical product handpiece control are designed to bring efficiency and technology into the treatment room. These options are offered with the deluxe touchpad in a variety of holder positions, plus the choice to offer endodontic features.

LEGEND

- A** = Price reflects retail price adjustment to change from standard to optional feature
- B** = Additional handpiece position required
- D** = Deluxe touchpad required
- E** = Requires control block position
- F** = Requires controller space
- H** = Requires access to 300-watt power supply
- I** = Requires intraoral light source
- J** = Side exhausting Borden tubing
- K** = Compatible with A-dec 311 version B

333/335 Continental Delivery Systems

Availability varies: Contact Customer Service for your region's availability.



A-dec 333 Radius Continental delivery system shown with optional QD syringe, handpiece tubings, and deluxe touchpad



A-dec 335 Continental delivery system shown with optional syringe, handpiece tubing and deluxe touchpad

STANDARD FEATURES

- Balanced flexarm with air brake
- Can be configured for left- or right-handed dentistry
- Three-position or optional four-position handpiece control block
- Autoclavable QD syringe
- Control head accommodates two ancillary control modules
- 15' USB 2.0 cable from control head to chair
- Radius systems include self contained water system with quick disconnect 2-liter water bottle
- Adjustable air coolant
- Individually adjustable water coolant

NOTE: A-dec 362 or 363 support center required when ordering an A-dec 334 or 335 delivery system.

NOTE: When left-hand configuration option is selected, the configuration will be a mirror image of the standard, right-hand configuration.

NOTE: Floor Box ordered with chair. Included only with A-dec 362 support center.

NOTE: Water bottle for A-dec 334 or 335 is included in the A-dec 362 or 363 support center.

MOUNTING CHOICES

- Radius chair mounted
 - Available on A-dec 511, A-dec 411, and A-dec 311 chairs
 - Left/right delivery system
- Support center mounted
 - Available on all A-dec and competitor chairs that accept 2" post mount
 - Available on A-dec 311 chairs version B
 - Dedicated left or right delivery system

DELIVERY SYSTEM BASE CHOICES continued on next page	CONFIGURED PART NUMBER	PRICE	TOTAL	ITEM PART NUMBER
<input type="checkbox"/> 333 Radius without touchpad	V0195.0026			-
<input type="checkbox"/> 335 Support mount without touchpad (Requires A-dec 362 support center)	V0195.0032			-
Chair Mount options				
<input type="checkbox"/> A-dec 311 B	V0055.0038			-
<input type="checkbox"/> A-dec 411 Radius mount for 333	V0055.0009			-
<input type="checkbox"/> A-dec 511 Radius chair mount for 333	V0055.0006			77.1165.00
<input type="checkbox"/> A-dec 200 support center mounting kit for 335	V0055.0028			-
<input type="checkbox"/> Standard tray holder (does not include tray)	V0070.0011			77.0942.00
<input type="checkbox"/> Large tray holder (does not include tray)	V0070.0010			77.0943.00



Estimated shipping weight: 55 lb. (25 kg)

333/335 Continental Delivery Systems

Availability varies: Contact Customer Service for your region's availability.

DELIVERY SYSTEM BASE CHOICES continued	CONFIGURED PART NUMBER	PRICE	TOTAL	ITEM PART NUMBER	
Foot Control Choices					
<input type="checkbox"/> Disc foot control (Wet/dry foot control)	V0041.0003			38.1834.00 ⁽³³³⁾ 38.1821.00 ⁽³³⁵⁾	
<input type="checkbox"/> Disc foot control (Wet/dry foot control with chip blower/accessory button)	V0041.0002			38.1862.00 ⁽³³³⁾ 38.1838.00 ⁽³³⁵⁾	
<input type="checkbox"/> Lever foot control (Wet/dry foot control with chip blower/accessory button)	V0041.0007			38.1871.00 ⁽³³³⁾ 38.1871.02 ⁽³³⁵⁾	
<input type="checkbox"/> Euro-style foot control conversion kit	V0079.0001			38.0825.00	
<input type="checkbox"/> A-dec relay module H	V0169.0001			90.1080.00	
<input type="checkbox"/> Second brake handle	V0080.0001			90.1281.00	
<input type="checkbox"/> Shut-off valve, compression	V0062.0002			026.062.00	
<input type="checkbox"/> Shut-off valve, threaded	V0062.0003			026.158.00	
Delivery system base choices subtotal			\$		
DOCTOR'S CHOICES continued on next page	HANDPIECE POSITION	CONFIGURED PART NUMBER	PRICE	TOTAL	ITEM PART NUMBER
	0 1 H 2 3 4				
<input type="checkbox"/> Left-hand configuration		V0128.0002			-
<input type="checkbox"/> Standard touchpad		V0036.0007			90.1196.00
<input type="checkbox"/> Deluxe touchpad		V0036.0006			90.1197.00
<input type="checkbox"/> Quad-voltage intraoral light source (Required for handpieces requiring a light source)		V0086.0003			90.1168.00
<input type="checkbox"/> Additional control block position		V0101.0006			-
<input type="checkbox"/> Additional whip assembly		V0102.0003			90.1205.00
Syringe Choices					
QD syringe	<input type="checkbox"/> - - - -	V0267.0005			23.1305.00
Warm water QD syringe F H A	<input type="checkbox"/> - - - -	V0267.0004			23.1291.01
Air Driven Silicone Handpiece Tubing					
3-hole E I	- <input type="checkbox"/> <input type="checkbox"/> <input type="checkbox"/> <input type="checkbox"/>	V0267.0015			98.1086.00
4-hole E	- <input type="checkbox"/> <input type="checkbox"/> <input type="checkbox"/> <input type="checkbox"/>	V0267.0002			98.1087.00
6-pin E I	- <input type="checkbox"/> <input type="checkbox"/> <input type="checkbox"/> <input type="checkbox"/>	V0267.0001			98.1089.00
5-hole fiber-optic with bulb E I	- <input type="checkbox"/> <input type="checkbox"/> <input type="checkbox"/> <input type="checkbox"/>	V0267.0006			98.1088.00
Air Driven Vinyl Handpiece Tubing					
3-hole E I	- <input type="checkbox"/> <input type="checkbox"/> <input type="checkbox"/> <input type="checkbox"/>	V0267.0029			98.1093.00
4-hole E	- <input type="checkbox"/> <input type="checkbox"/> <input type="checkbox"/> <input type="checkbox"/>	V0267.0031			98.1094.00
6-pin E I	- <input type="checkbox"/> <input type="checkbox"/> <input type="checkbox"/> <input type="checkbox"/>	V0267.0030			98.1096.00
5-hole fiber-optic with bulb E I	- <input type="checkbox"/> <input type="checkbox"/> <input type="checkbox"/> <input type="checkbox"/>	V0267.0028			98.1095.00
Electric Motor Systems D E F H					
A-dec Manufacturing Partner W&H					
EA-53 electric motor and tubing	- <input type="checkbox"/> <input type="checkbox"/> <input type="checkbox"/> <input type="checkbox"/>	V0267.0049			54.0497.00
Control module for EA-53					
<input type="checkbox"/> Single position CM 1.2		V0053.0004			54.0479.03
<input type="checkbox"/> Dual position CM 2.2		V0053.0005			54.0480.03
A-dec Manufacturing Partner NSK					
NLZ electric motor and tubing	- <input type="checkbox"/> <input type="checkbox"/> <input type="checkbox"/> <input type="checkbox"/>	V0267.0080			54.0605.01
<input type="checkbox"/> Control module for NLZ		V0053.0006			54.0601.01
NLX nano electric motor and tubing	- <input type="checkbox"/> <input type="checkbox"/> <input type="checkbox"/> <input type="checkbox"/>	V0267.0041			54.0446.01
<input type="checkbox"/> Control module for NLX		V0053.0003			54.0437.01
Curing Light Module H					
Satelec					
Satelec Mini LED curing light	- <input type="checkbox"/> <input type="checkbox"/> <input type="checkbox"/> <input type="checkbox"/>	V0267.0014			54.0291.00
Satelec ScanWave curing light	- <input type="checkbox"/> <input type="checkbox"/> <input type="checkbox"/> <input type="checkbox"/>	V0267.0050			54.0474.00

333/335 Continental Delivery Systems

Availability varies: Contact Customer Service for your region's availability.

DOCTOR'S CHOICES continued	HANDPIECE POSITIONS					CONFIGURED PART NUMBER	PRICE	TOTAL	ITEM PART NUMBER
	0	1 [ⓐ]	2	3	4				
Intraoral Camera Systems [ⓑ] [ⓒ] [ⓓ]									
Acteon									
Dock Modules									
Analog and USB2	-	<input type="checkbox"/>	<input type="checkbox"/>	<input type="checkbox"/>	<input type="checkbox"/>	V0267.0008			54.0294.00
USB2 only	-	<input type="checkbox"/>	<input type="checkbox"/>	<input type="checkbox"/>	<input type="checkbox"/>	V0267.0074			54.0584.00
Handpieces									
<input type="checkbox"/> SoproCare intraoral camera handpiece only, NTSC						V0043.0011			54.0471.00
<input type="checkbox"/> SoproCare intraoral camera handpiece only, PAL						V0043.0010			54.0472.00
<input type="checkbox"/> SoproLIFE intraoral camera handpiece only, NTSC						V0043.0009			54.0392.00
<input type="checkbox"/> SoproLIFE intraoral camera handpiece only, PAL						V0043.0008			54.0393.00
<input type="checkbox"/> Sopro 717 First intraoral camera handpiece only, NTSC						V0043.0006			54.0421.00
<input type="checkbox"/> Sopro 717 First intraoral camera handpiece only, PAL						V0043.0007			54.0422.00
<input type="checkbox"/> Sopro 617 intraoral camera handpiece only, NTSC						V0043.0005			54.0263.00
<input type="checkbox"/> Sopro 617 intraoral camera handpiece only, PAL						V0043.0002			54.0264.00
Ultrasonic Instrument Systems [ⓓ] [ⓔ] [ⓕ] [ⓖ]									
Satelec									
Satelec Newtron Slim control module and cord set	-	<input type="checkbox"/>	<input type="checkbox"/>	<input type="checkbox"/>	<input type="checkbox"/>	V0267.0072			54.0582.00
Handpieces									
<input type="checkbox"/> Satelec Newtron Slim B.LED ultrasonic handpiece only						V0158.0004			54.0581.00
<input type="checkbox"/> Satelec Newtron Slim ultrasonic handpiece only						V0158.0005			54.0580.00
<input type="checkbox"/> Satelec ultrasonic instrument tip kit						V0196.0001			54.0406.00
Dentsply									
Cavitron Steri-Mate handpiece, module, cord set, and insert	-	<input type="checkbox"/>	<input type="checkbox"/>	<input type="checkbox"/>	<input type="checkbox"/>	V0267.0079			
Cavitron Steri-Mate 360 handpiece, module, cord set, and insert	-	<input type="checkbox"/>	<input type="checkbox"/>	<input type="checkbox"/>	<input type="checkbox"/>	V0267.0078			
Delivery system base choices subtotal								\$	
Doctor's choices subtotal								\$	
Subtotal for all sections								\$	
Quantity								x	
Grand Total								\$	

Confirm there are a maximum of 2 controller spaces [ⓕ] used in the configuration.

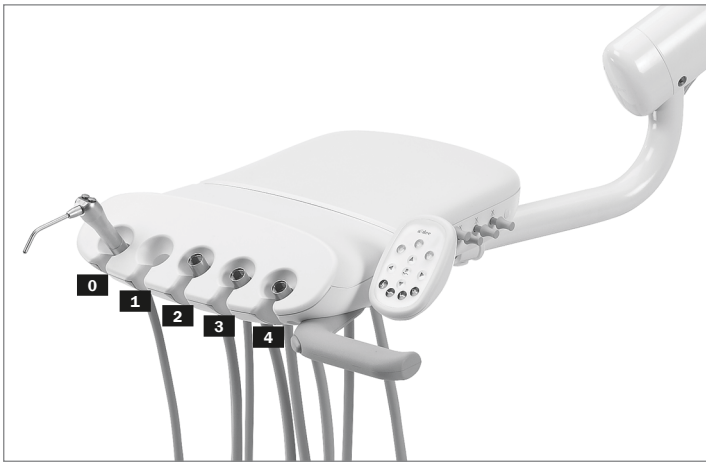
Note: 3 block positions [ⓑ] are standard; 4th control block position requires upgrade [ⓓ].

LEGEND

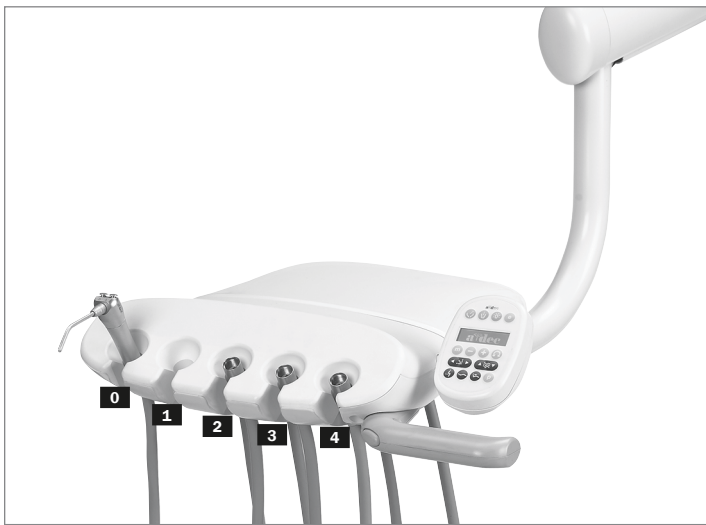
- [ⓐ] = Price reflects retail price adjustment to change from standard to optional feature
- [ⓑ] = Additional handpiece position required
- [ⓒ] = Deluxe touchpad required
- [ⓓ] = Requires control block position
- [ⓔ] = Requires controller space
- [ⓕ] = Requires access to 300-watt power supply
- [ⓖ] = Requires intraoral light source
- [ⓗ] = Side exhausting Borden tubing
- [ⓓ] = Compatible with A-dec 311 version B

332/334/336 Traditional Delivery Systems

Availability varies: Contact Customer Service for your region's availability.



A-dec 332 Radius Traditional delivery system shown with optional QD syringe, handpiece tubings, and standard touchpad



A-dec 334 Traditional delivery system shown with optional QD syringe, handpiece tubings and deluxe touchpad



A-dec 336 Radius Traditional delivery system with manual height adjustment shown with optional QD syringe, handpiece tubings, and deluxe touchpad

STANDARD FEATURES

- Balanced flexarm with air brake (332/334) or manual height adjustment (336)
- Can be configured for left- or right-handed dentistry
- Four handpiece holder positions
- Autoclavable QD syringe
- Control head accommodates two ancillary control modules
- 15' USB 2.0 cable from control head to chair
- Radius systems include self contained water system with quick disconnect 2-liter water bottle
- Adjustable air coolant
- Individually adjustable water coolant

NOTE: A-dec 362 or 363 support center required when ordering an A-dec 334 or 335 delivery system.

NOTE: When left-hand configuration option is selected, the configuration will be a mirror image of the standard, right-hand, configuration.

NOTE: Floor box ordered with chair. Included only with A-dec 362 support mount.

NOTE: Water bottle for A-dec 334 or 335 is included in the A-dec 362 or 363 support center.



Estimated shipping weight: 61 lb. (28 kg)

332/334/336 Traditional Delivery Systems

Availability varies: Contact Customer Service for your region's availability.

MOUNTING CHOICES

- Radius chair mounted
 - Available on A-dec 511, A-dec 411, and A-dec 311 chairs
 - Left/right delivery system
- Support center mounted
 - Available on all A-dec and competitor chairs that accept 2" post mount
 - Available on A-dec 311 chairs (version B)
 - Dedicated left or right delivery system

DELIVERY SYSTEM BASE CHOICES	CONFIGURED PART NUMBER	PRICE	TOTAL	ITEM PART NUMBER
<input type="checkbox"/> 332 Radius without touchpad	V0195.0023			-
<input type="checkbox"/> 334 Support mount without touchpad (Requires A-dec 362 or 363 support center)	V0195.0029			-
<input type="checkbox"/> 336 Radius without touchpad	V0195.0241			-
Chair Mount Choices				
<input type="checkbox"/> A-dec 311B K	V0055.0038			-
<input type="checkbox"/> A-dec 411 Radius chair mount for 332/336	V0055.0009			-
<input type="checkbox"/> A-dec 511 Radius chair mount for 332/336	V0055.0006			77.1165.00
<input type="checkbox"/> A-dec 200 support center mounting kit for 334	V0055.0028			-
<input type="checkbox"/> Standard tray holder (does not include tray)	V0070.0011			77.0933.00
<input type="checkbox"/> Large tray holder (does not include tray)	V0070.0010			77.0932.00
Foot Control Choices				
<input type="checkbox"/> Disc foot control (Wet/dry foot control)	V0041.0003			38.1834.00 (332/336)
				38.1821.00 (334)
<input type="checkbox"/> Disc foot control (Wet/dry foot control with chip blower / accessory button)	V0041.0002			38.1862.00 (332/336)
				38.1838.00 (334)
<input type="checkbox"/> Lever foot control (Wet/dry foot control with chip blower/accessory button)	V0041.0007			38.1871.00 (332/336)
				38.1871.02 (334)
<input type="checkbox"/> Euro-style foot control conversion kit	V0079.0001			38.0825.00
<input type="checkbox"/> A-dec relay module I	V0169.0001			90.1080.00
<input type="checkbox"/> A-dec 332/334 second brake handle	V0080.0001			90.1281.00
<input type="checkbox"/> A-dec 336 second handle kit	V0080.0003			90.1451.00
<input type="checkbox"/> Shut-off valve, compression	V0062.0002			026.062.00
<input type="checkbox"/> Shut-off valve, threaded	V0062.0003			026.158.00
Delivery system base choices subtotal			\$	

LEGEND

- A** = Price reflects retail price adjustment to change from standard to optional feature
- B** = Additional handpiece position required
- D** = Deluxe touchpad required
- E** = Requires control block position
- F** = Requires controller space
- H** = Requires access to 300-watt power supply
- I** = Requires intraoral light source
- J** = Side exhausting Borden tubing
- K** = Compatible with A-dec 311 version B

332/334/336 Traditional Delivery Systems

Availability varies: Contact Customer Service for your region's availability.

DOCTOR'S CHOICES	HANDPIECE POSITION					CONFIGURED PART NUMBER	PRICE	TOTAL	ITEM PART NUMBER
	0	1	2	3	4				
<input type="checkbox"/> Left-hand configuration						V0128.0002			-
<input type="checkbox"/> Standard touchpad						V0036.0007			90.1196.00
<input type="checkbox"/> Deluxe touchpad						V0036.0006			90.1197.00
<input type="checkbox"/> Quad-voltage intraoral light source (Required for handpieces requiring a light source)						V0086.0003			90.1168.00
<input type="checkbox"/> Additional control block position						V0101.0006			-
Syringe Choices									
QD syringe	<input type="checkbox"/>	-	-	-	-	V0267.0005			23.1303.00
Warm water QD syringe F H A	<input type="checkbox"/>	-	-	-	-	V0267.0004			23.1290.01
Air Driven Silicone Handpiece Tubing									
3-hole E I	-	<input type="checkbox"/>	<input type="checkbox"/>	<input type="checkbox"/>	<input type="checkbox"/>	V0267.0015			98.1086.00
4-hole E	-	<input type="checkbox"/>	<input type="checkbox"/>	<input type="checkbox"/>	<input type="checkbox"/>	V0267.0002			98.1087.00
6-pin E I	-	<input type="checkbox"/>	<input type="checkbox"/>	<input type="checkbox"/>	<input type="checkbox"/>	V0267.0001			98.1089.00
5-hole fiber-optic with bulb E I	-	<input type="checkbox"/>	<input type="checkbox"/>	<input type="checkbox"/>	<input type="checkbox"/>	V0267.0006			98.1088.00
Air Driven Vinyl Handpiece Tubing									
3-hole E I	-	<input type="checkbox"/>	<input type="checkbox"/>	<input type="checkbox"/>	<input type="checkbox"/>	V0267.0029			98.1093.00
4-hole E	-	<input type="checkbox"/>	<input type="checkbox"/>	<input type="checkbox"/>	<input type="checkbox"/>	V0267.0031			98.1094.00
6-pin E I	-	<input type="checkbox"/>	<input type="checkbox"/>	<input type="checkbox"/>	<input type="checkbox"/>	V0267.0030			98.1096.00
5-hole fiber-optic with bulb E I	-	<input type="checkbox"/>	<input type="checkbox"/>	<input type="checkbox"/>	<input type="checkbox"/>	V0267.0028			98.1095.00
Electric Motor Systems D E F H									
A-dec Manufacturing Partner W&H									
EA-53 electric motor and tubing	-	<input type="checkbox"/>	<input type="checkbox"/>	<input type="checkbox"/>	<input type="checkbox"/>	V0267.0049			54.0497.00
Control module for EA-53									
<input type="checkbox"/> Single position CM 1.2						V0053.0004			54.0479.03
<input type="checkbox"/> Dual position CM 2.2						V0053.0005			54.0480.03
A-dec Manufacturing Partner NSK									
NLZ electric motor and tubing	-	<input type="checkbox"/>	<input type="checkbox"/>	<input type="checkbox"/>	<input type="checkbox"/>	V0267.0080			54.0605.01
<input type="checkbox"/> Control module for NLZ						V0053.0006			54.0601.01
NLX nano electric motor and tubing	-	<input type="checkbox"/>	<input type="checkbox"/>	<input type="checkbox"/>	<input type="checkbox"/>	V0267.0041			54.0446.01
<input type="checkbox"/> Control module for NLX						V0053.0003			54.0437.01
Curing Light Module H									
Satelec									
Satelec Mini LED curing light	-	<input type="checkbox"/>	<input type="checkbox"/>	<input type="checkbox"/>	<input type="checkbox"/>	V0267.0014			54.0291.00
Satelec ScanWave curing light	-	<input type="checkbox"/>	<input type="checkbox"/>	<input type="checkbox"/>	<input type="checkbox"/>	V0267.0050			54.0474.00
Intraoral Camera Systems E F H									
Acteon									
Dock Modules									
*Analog and USB2	-	<input type="checkbox"/>	<input type="checkbox"/>	<input type="checkbox"/>	<input type="checkbox"/>	V0267.0008			54.0294.00
USB2 only	-	<input type="checkbox"/>	<input type="checkbox"/>	<input type="checkbox"/>	<input type="checkbox"/>	V0267.0074			54.0584.00
Handpieces									
<input type="checkbox"/> SoproCare intraoral camera handpiece only, NTSC						V0043.0011			54.0471.00
<input type="checkbox"/> SoproCare intraoral camera handpiece only, PAL						V0043.0010			54.0472.00
<input type="checkbox"/> SoproLIFE intraoral camera handpiece only, NTSC						V0043.0009			54.0392.00
<input type="checkbox"/> SoproLIFE intraoral camera handpiece only, PAL						V0043.0008			54.0393.00
<input type="checkbox"/> Sopro 717 First intraoral camera handpiece only, NTSC						V0043.0006			54.0421.00
<input type="checkbox"/> Sopro 717 First intraoral camera handpiece only, PAL						V0043.0007			54.0422.00
<input type="checkbox"/> Sopro 617 intraoral camera handpiece only, NTSC						V0043.0005			54.0263.00
<input type="checkbox"/> Sopro 617 intraoral camera handpiece only, PAL						V0043.0002			54.0264.00

Note: *On A-dec 336 - Only available as a field install item

332/334/336 Traditional Delivery Systems

Availability varies: Contact Customer Service for your region's availability.

DEALER-INSTALLED CHOICES	HANDPIECE POSITION					CONFIGURED PART NUMBER	PRICE	TOTAL	ITEM PART NUMBER
	0	1 [Ⓐ]	2	3	4				
Ultrasonic Instrument Systems [Ⓓ] [Ⓔ] [Ⓕ] [Ⓖ] [Ⓗ]									
Satelec									
Satelec Newtron Slim control module and cord set	-	<input type="checkbox"/>	<input type="checkbox"/>	<input type="checkbox"/>	<input type="checkbox"/>	V0267.0072			54.0582.00
Handpieces									
<input type="checkbox"/> Satelec Newtron Slim B.LED ultrasonic handpiece						V0158.0004			54.0581.00
<input type="checkbox"/> Satelec Newtron Slim ultrasonic handpiece						V0158.0005			54.0580.00
<input type="checkbox"/> Satelec ultrasonic instrument tip kit						V0196.0001			54.0406.00
Dentsply									
Cavitron Steri-Mate handpiece, module, cord set, and insert	-	<input type="checkbox"/>	<input type="checkbox"/>	<input type="checkbox"/>	<input type="checkbox"/>	V0267.0079			
Cavitron Steri-Mate 360 handpiece, module, cord set, and insert	-	<input type="checkbox"/>	<input type="checkbox"/>	<input type="checkbox"/>	<input type="checkbox"/>	V0267.0078			
Delivery system base choices subtotal								\$	
Doctor's choices subtotal								\$	
Subtotal for all sections								\$	
Quantity								x	
Grand Total								\$	

Confirm there are a maximum of 2 controller spaces [Ⓕ] used in the configuration.

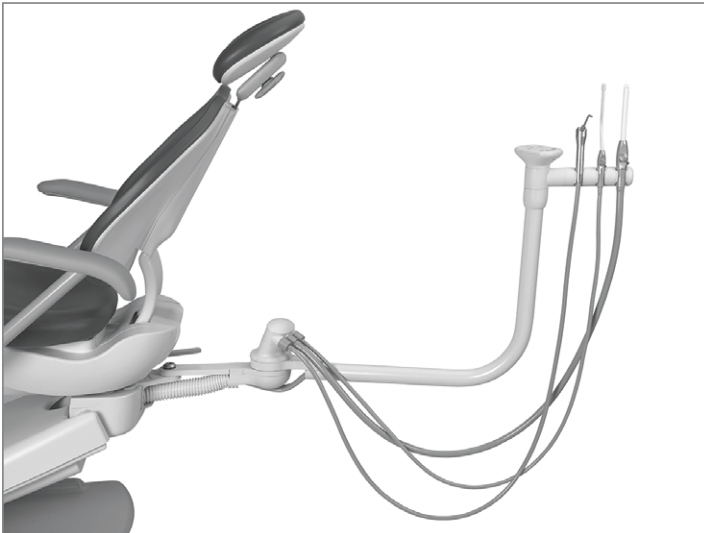
Note: 3 block positions [Ⓔ] are standard; 4th control block position requires upgrade [Ⓕ].

LEGEND

- [Ⓐ] = Price reflects retail price adjustment to change from standard to optional feature
- [Ⓑ] = Additional handpiece position required
- [Ⓓ] = Deluxe touchpad required
- [Ⓔ] = Requires control block position
- [Ⓕ] = Requires controller space
- [Ⓖ] = Requires access to 300-watt power supply
- [Ⓗ] = Requires intraoral light source
- [Ⓙ] = Side exhausting Borden tubing
- [Ⓚ] = Compatible with A-dec 311 version B

351 Assistant's Instrumentation

Availability varies: Contact Customer Service for your region's availability.



A-dec 351 Radius assistant's Instrumentation shown with 3-Holder positions and standard touchpad

STANDARD FEATURES

- Autoclavable 11 mm high-volume evacuator (HVE) and saliva ejector (SE).
- Mounts to A-dec 311, 411, or 511 chair
- Back radius hub to position assistant's instrumentation on either side of the chair

NOTE: A-dec relay module (p/n 90.1080.00) is required to activate (central) vacuum / amalgam separator via the auto-electric switches.



351 without touchpad

ASSISTANT'S INSTRUMENTATION CHOICES	CONFIGURED PART NUMBER	PRICE	TOTAL	ITEM PART NUMBER
351 Rear mount rigid arm	V0195.0039			-
<input type="checkbox"/> Moisture separator	V0156.0001			41.1477.00
<input type="checkbox"/> Standard touchpad	V0007.0004			90.1184.00
Autoclavable Syringe				
<input type="checkbox"/> Assistant's QD syringe	V0267.0044			23.1362.00
<input type="checkbox"/> Assistant's warm water QD syringe [Ⓜ]	V0267.0061			23.1306.01
<input type="checkbox"/> No tubing	V0267.0003			-
Curing Light Choices [Ⓜ]				
<input type="checkbox"/> Holder only	V0462.0001			99.0653.03
<input type="checkbox"/> Satelec Mini LED curing light (Requires holder)	V0004.0014			54.0291.00
<input type="checkbox"/> Satelec ScanWave curing light (Requires holder)	V0004.0050			54.0474.00
<input type="checkbox"/> Auto-electric holders [Ⓜ] (If selected with additional HVE, dual turret is required)	V0402.0002			-
<input type="checkbox"/> Dual turret configuration	V0403.0001			-
<input type="checkbox"/> Large bore 15mm HVE (Available with auto-electric selection)	V0200.0002			-
<input type="checkbox"/> Additional HVE and holder	V0087.0003			-
<input type="checkbox"/> Shut-off valve, compression	V0062.0002			026.062.00
<input type="checkbox"/> Shut-off valve, threaded	V0062.0003			026.158.00
<input type="checkbox"/> Master toggle kit	V0113.0001			90.1088.01
<input type="checkbox"/> Stand-alone utility kit	V0100.0004			-
<input type="checkbox"/> Remote water bottle kit (Required for use with stand-alone utility kit)	V0116.0002			14.0471.00
Assistant's instrumentation choices subtotal			\$	
Quantity			x	
Grand Total			\$	

LEGEND

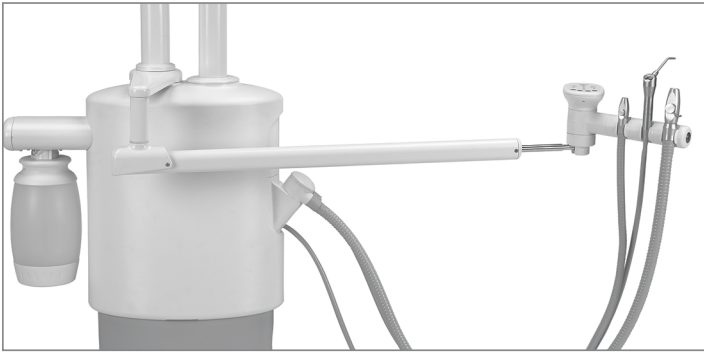
- [Ⓜ] = Requires access to 300-watt power supply
- [Ⓛ] = Requires intraoral light source
- [Ⓜ] = Side exhausting Borden tubing
- [Ⓚ] = Compatible with A-dec 311 version B
- [Ⓛ] = Requires touchpad



Estimated shipping weight: 28 lb. (13 kg)

352 Assistant's Instrumentation

Availability varies: Contact Customer Service for your region's availability.



A-dec 352 support center-mounted telescoping assistant's instrumentation shown with 3 holder positions

STANDARD FEATURES

- 11 mm high-volume evacuator (HVE) and saliva ejector (SE)
- Telescoping A-dec 352 assistant's instrumentation arm

NOTE: Important - Vacuum canister required on A-dec 362 or 363 support center when ordering assistant's instrumentation. For a new A-dec 362 or 363 support center installation, order the vacuum canister with the A-dec 362 or 363 support center for factory installation.

NOTE: A-dec Relay Module (p/n 90.1080.00) is required to activate (central) vacuum / amalgam separator via the auto-electric switches.

ASSISTANT'S INSTRUMENTATION CHOICES	CONFIGURED PART NUMBER	PRICE	TOTAL	ITEM PART NUMBER
352 Support center mount telescoping arm	V0195.0050			-
<input type="checkbox"/> Standard touchpad	V0007.0004			90.1184.00
Autoclavable Syringe				
<input type="checkbox"/> Assistant's QD syringe	V0267.0044			23.1303.00
<input type="checkbox"/> Assistant's warm water QD syringe [Ⓜ]	V0267.0061			23.1294.01
<input type="checkbox"/> No tubing	V0267.0003			-
Curing Light Choices [Ⓜ]				
<input type="checkbox"/> Holder only	V0462.0001			99.0653.03
<input type="checkbox"/> Satelec Mini LED curing light (Requires holder)	V0004.0014			54.0291.00
<input type="checkbox"/> Satelec ScanWave curing light (Requires holder)	V0004.0050			54.0474.00
<input type="checkbox"/> Auto-electric holders [Ⓛ] (If selected with additional HVE, dual turret is required)	V0402.0002			-
<input type="checkbox"/> Dual turret configuration	V0403.0001			-
<input type="checkbox"/> Large bore 15mm HVE (Available with auto-electric selection)	V0200.0002			-
<input type="checkbox"/> Additional HVE and holder	V0087.0003			-
<input type="checkbox"/> Vacuum canister (Required for field upgrade on an existing A-dec 362 or 363 support center)	V0112.0001			77.0941.01
Assistant's instrumentation choices subtotal			\$	
Quantity			x	
Grand Total			\$	

NOTE: A-dec 352/353 assistant's instrumentation require an A-dec 362 or 363 support center.

LEGEND

- [Ⓜ] = Requires access to 300-watt power supply
- [Ⓛ] = Requires intraoral light source
- [Ⓜ] = Side exhausting Borden tubing
- [Ⓚ] = Compatible with A-dec 311 version B
- [Ⓛ] = Requires touchpad



Estimated shipping weight: 15 lb. (7 kg)

353 Assistant's Instrumentation

Availability varies: Contact Customer Service for your region's availability.



A-dec 353 cuspidor-mounted fixed position assistant's instrumentation shown with 3 holder positions

STANDARD FEATURES

- 11 mm high-volume evacuator (HVE) and saliva ejector (SE)
- Fixed position mounted cuspidor A-dec 353 assistant's instrumentation arms

NOTE: Important - Vacuum canister required on A-dec 362 or 363 support center when ordering assistant's instrumentation. For a new A-dec 362 or 363 support center installation, order the vacuum canister with the A-dec 362 or 363 support center for factory installation.

NOTE: A built-in relay module on the cuspidor board can be used for ancillary, central vacuum, or amalgam separator activation via the auto-electric switches.

ASSISTANT'S INSTRUMENTATION CHOICES	CONFIGURED PART NUMBER	PRICE	TOTAL	ITEM PART NUMBER
353 Cuspidor mount fixed-position arm	V0195.0064			-
<input type="checkbox"/> Standard touchpad	V0007.0004			90.1184.00
Autoclavable Syringe				
<input type="checkbox"/> Assistant's QD syringe	V0267.0044			23.1303.00
<input type="checkbox"/> Assistant's warm water QD syringe H	V0267.0061			23.1294.01
<input type="checkbox"/> No tubing	V0267.0003			-
Curing Light Choices H				
<input type="checkbox"/> Holder only	V0462.0001			99.0653.03
<input type="checkbox"/> Satelec Mini LED curing light (Requires holder)	V0004.0014			54.0291.00
<input type="checkbox"/> Satelec ScanWave curing light (Requires holder)	V0004.0050			54.0474.00
<input type="checkbox"/> Auto-electric holders L (If selected with additional HVE, dual turret is required)	V0402.0002			-
<input type="checkbox"/> Dual turret configuration	V0403.0001			-
<input type="checkbox"/> Large bore 15mm HVE (Available with auto-electric selection)	V0200.0002			-
<input type="checkbox"/> For use with AVS	V0200.0006			-
<input type="checkbox"/> Additional HVE and holder	V0087.0003			-
<input type="checkbox"/> Vacuum canister (Required for field upgrades on an existing A-dec 362 or 363 support center)	V0112.0001			77.0941.01
Assistant's instrumentation choices subtotal			\$	
Quantity			x	
Grand Total			\$	

NOTE: A-dec 352/353 assistant's instrumentation require an A-dec 362 or 363 support center.

LEGEND

- H** = Requires access to 300-watt power supply
- I** = Requires intraoral light source
- J** = Side exhausting Borden tubing
- K** = Compatible with A-dec 311 version B
- L** = Requires touchpad

CE
0843



US Estimated shipping weight: 7 lb. (3 kg)

362/363 Cuspidor and Support Center

Availability varies: Contact Customer Service for your region's availability.

STANDARD FEATURES

SUPPORT CENTER

POST MOUNT (362)

- Mounts to any manufacturer's chair that accepts 2" post mount
- Includes remote stainless steel floor box
- AVS capability
- Mount dedicated left or right
- 2-liter self-contained water system with quick-disconnect (QD) water bottle

PEDESTAL MOUNT (363)

- Rigid support structure
- Ability to mount on left or right side of 311 chair version B
- Independent snap fit side covers for easy support center access
- AVS capability
- Mount dedicated left or right
- 2-liter self-contained water system with quick-disconnect (QD) water bottle

CUSPIDOR

- Glass bowl with bowl screen
- Accommodates large tumbler
- Manual and timed adjustable cup fill and bowl rinse
- Built-in A-dec relay module on cuspidor board
- Local cup fill/bowl rinse actuation and programming

NOTE: A-dec 362 or 363 support center required when ordering an A-dec 334 or A-dec 335 delivery system and/or A-dec 352 or A-dec 353 assistant's instrumentation.

NOTE: Vacuum canister required when ordering assistant's instrumentation.

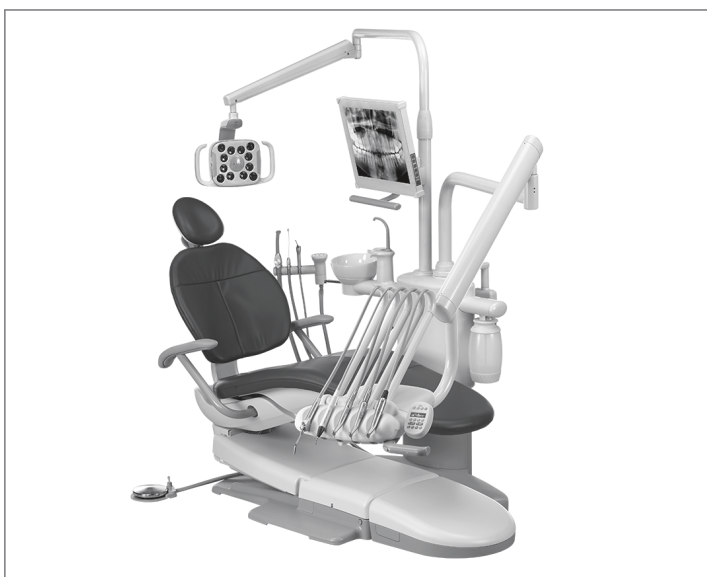
NOTE: A-dec 300 touchpads require data ports on the chair printed circuit board to operate the auto dental light and chair movement.

NOTE: A built-in relay module on the cuspidor board can be used for ancillary, central vacuum, or amalgam separator activation via the auto-electric switches.

NOTE: If a cuspidor is not included on the 362 or 363 model, an A-dec relay module (p/n 90.1080.00) is required to activate (central) vacuum / amalgam separator via the auto-electric switches.



A-dec 362 Support center, cuspidor, light and monitor mount shown on A-dec 311 chair



A-dec 363 Support center, cuspidor, light and monitor mount shown on A-dec 311 chair



Support center with cuspidor



Support center without cuspidor



A-dec 362 post mount support center



A-dec 363 pedestal mount support center



Estimated shipping weight:
 A-dec 362 - 84 lb. (38 kg)
 A-dec 363 - 73 lb. (33 kg)
 UPS shipping available

362/363 Cuspidor and Support Center

Availability varies: Contact Customer Service for your region's availability.

SUPPORT CENTER CHOICES	CONFIGURED PART NUMBER	PRICE	TOTAL	ITEM PART NUMBER
<input type="checkbox"/> A-dec 362 Post mount (Includes remote floor box)	V0195.0242			-
<input type="checkbox"/> A-dec 363 Pedestal mount	V0195.0243			-
<input type="checkbox"/> A-dec 362/363 cuspidor H	V0111.0002			-
<input type="checkbox"/> A-dec 362/363 cuspidor with AVS (requires canister)	V0111.0001			-
<input type="checkbox"/> P-trap for gravity drain (Available only for A-dec 363 pedestal mount units)	V0114.0001			77.0923.00
<input type="checkbox"/> A-dec relay module H	V0169.0001			90.1080.00
<input type="checkbox"/> Air and water QD kit	V0003.0005			90.1166.00
<input type="checkbox"/> Vacuum canister for assistant's instrumentation (Required for A-dec 352 or A-dec 353 assistant's Instrumentation)	V0112.0001			77.0941.01
<input type="checkbox"/> Master toggle kit*	V0113.0001			90.1189.00
300-watt power supply				
<input type="checkbox"/> 100 volts	V0060.0005			43.0259.00
<input type="checkbox"/> 120 volts	V0060.0006			43.0260.00
<input type="checkbox"/> 240 volts	V0060.0007			43.0261.00
<input type="checkbox"/> Moisture separator	V0156.0001			41.1477.00
<input type="checkbox"/> Shut-off valve, compression (x 2)	V0062.0007			026.062.00
<input type="checkbox"/> Shut-off valve, threaded (x 2)	V0062.0006			026.158.00
Support center choices subtotal			\$	
Quantity			x	
Grand Total			\$	

NOTE: *Required when ordered without chair mounted delivery system.

NOTE: **Chair Adapter p/n 77.0922.00 will only work with Performer III chairs, this mount is not compatible with Performer I or Performer II chairs.

CHAIR ADAPTER CHOICES FOR A-DEC 362 POST MOUNTING	ITEM PART NUMBER	PRICE	TOTAL
<input type="checkbox"/> A-dec 511 chair adapter	77.0921.00		
<input type="checkbox"/> A-dec 311 version B or 411 chair adapter	77.1301.00		
<input type="checkbox"/> Performer III 8000 chair adapter**	77.0922.00		
<input type="checkbox"/> A-dec 1010/1015/1020/1021 chair adapter	35.1741.00		
<input type="checkbox"/> A-dec 1005 chair adapter	35.1743.00		
<input type="checkbox"/> A-dec 1040 chair adapter	35.1742.00		

LEGEND

C = Touchpad required

H = Requires access to 300-watt power supply

Performer



SECTION CONTENTS

8000 Dental Chair67
8100 Delivery System68
8500 Assistant's Instrumentation71
8200 Cuspidor and Support Center72
Dental Light Options.73
Monitor Mount Options75



TOUCHPAD CHOICES

Delivery system options vary based on the touchpad choice.

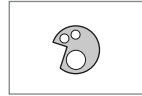


Standard touchpad

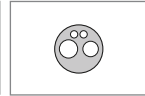


Deluxe touchpad

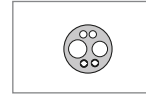
TUBING CHOICES



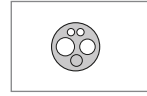
3-hole **E**



4-hole **E**



6-pin
fiber-optic **E**



5-hole fiber-optic
with bulb **E**

Performer Radius System

Availability varies: Contact Customer Service for your region's availability.

Back **B** or Front **F**

Products can be connected to the back-mount or front-mount of the chair.



8100 Traditional delivery system (shown)



8500 assistant's instrumentation (shown)



571L/572L dental light (shown)



371L/372L dental light



Light post monitor options



Performer monitor mount (shown)



381 monitor mount (mounts to light post)



482 monitor mount (shown mounts to light post)

Performer Cuspidor/Support Center System

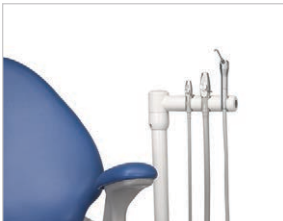
Availability varies: Contact Customer Service for your region's availability.

Back **B** or Front **F**

Products can be connected to the back-mount or front-mount of the chair.



8100 Traditional delivery system (shown)



8500 assistant's instrumentation (shown)



571L/572L dental light



371L/372L dental light (shown)

Light post monitor options



Performer monitor mount (shown)



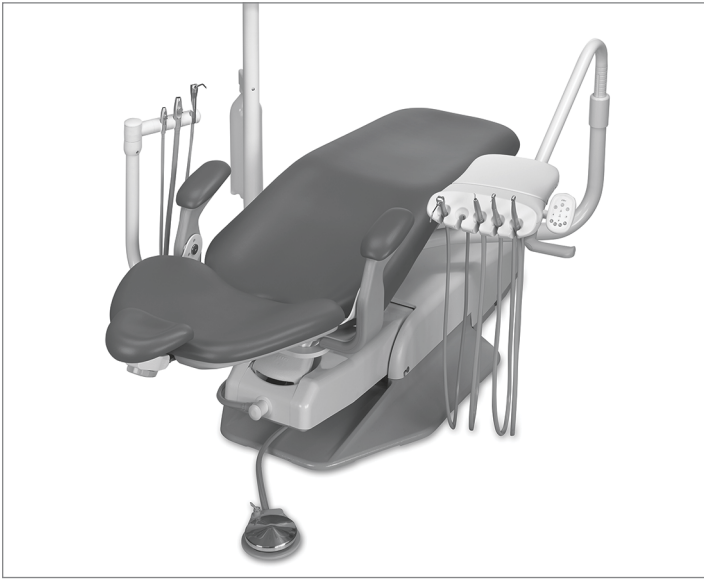
381 monitor mount (mounts to light post)



482 monitor mount (shown mounts to light post)

Performer 8000 Dental Chair

Availability varies: Contact Customer Service for your region's availability.



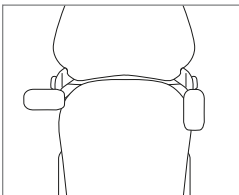
Performer 8000 chair

STANDARD FEATURES

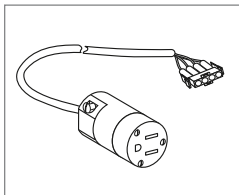
- Dual-articulating headrest
- Contoured floor box
- Thin-profile backrest
- Upholstered armrests
- Front- or back-mounting location for the delivery system
- Cast-aluminum baseplate
- Hydraulic cantilever system with stop plate shut-off
- 300 watt power supply
- UL rated to 400 lb. (181 kg) maximum patient load*

NOTE: *Load rating is based on UL requirement of 4X (1600 lb/725 kg) overload static testing

DOCTOR'S CHOICES



Pivot arm rest, arm pivots 90°



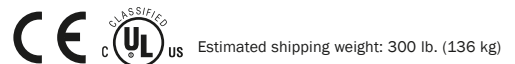
Accessory power cord

BASE CHOICES	CONFIGURED PART NUMBER	PRICE	TOTAL	ITEM PART NUMBER
8000 chair without upholstery <input type="checkbox"/> 120 VAC <input type="checkbox"/> 240 VAC	V0195.0249			-
Upholstery Choices				
<input type="checkbox"/> Formed upholstery	V0075.0014			
Floor box Choices				
<input type="checkbox"/> Remote floor box	V0040.0018			
DOCTOR'S CHOICES	CONFIGURED PART NUMBER	PRICE	TOTAL	ITEM PART NUMBER
<input type="checkbox"/> Programmable footswitch	V0042.0002			62.0163.01
Accessory power cord				
<input type="checkbox"/> 110-120 volts	V0001.0006			28.1264.00
<input type="checkbox"/> 220-240 volts	V0001.0005			28.1276.00
<input type="checkbox"/> Pivot armrest; one left/right compatible	V0083.0001			61.3125.01
<input type="checkbox"/> Air Vacuum System (AVS)	-			77.1421.00
Subtotal of all sections			\$	
Quantity			x	
Grand Total			\$	

UPHOLSTERY COLOR CHOICES

Formed

- | | | |
|------------------------------------|-------------------------------------|-----------------------------------|
| <input type="checkbox"/> Amethyst | <input type="checkbox"/> Indigo | <input type="checkbox"/> Sky Blue |
| <input type="checkbox"/> Black | <input type="checkbox"/> Lemongrass | <input type="checkbox"/> Tawny |
| <input type="checkbox"/> Driftwood | <input type="checkbox"/> Paprika | |
| <input type="checkbox"/> Hazelnut | <input type="checkbox"/> Sapphire | |



Performer 8100 Traditional Delivery System

Availability varies: Contact Customer Service for your region's availability.



Performer 8100 delivery system shown with optional QD syringe, tray, handpiece tubings, and standard touchpad

STANDARD FEATURES

- Manual height adjustment
- Can be configured for left- or right-handed dentistry
- Four handpiece holder positions
- Autoclavable QD syringe
- Control head accommodates two ancillary control modules
- 15' USB 2.0 cable from control head to chair

NOTE: When left-hand configuration option is selected, the configuration will be a mirror image of the standard, right-hand configuration.

MOUNTING CHOICES

- Radius chair mounted
 - Available on Performer chairs
 - Left/right delivery system
- Support center mounted
 - Available on Performer chairs
 - Dedicated left or right delivery system

DELIVERY SYSTEM BASE CHOICES	CONFIGURED PART NUMBER	PRICE	TOTAL	ITEM PART NUMBER
<input type="checkbox"/> 8100 delivery without touchpad	V0195.0250			-
Tray holder				
<input type="checkbox"/> Standard tray holder (does not include tray)	V0070.0011			77.0933.00
<input type="checkbox"/> Large tray holder (does not include tray)	V0070.0010			77.0932.00
Foot Control				
<input type="checkbox"/> Disc foot control (Wet/dry foot control)	V0041.0003			38.1834.00
<input type="checkbox"/> Disc foot control (Wet/dry foot control with chip blower / accessory button)	V0041.0002			38.1862.00
<input type="checkbox"/> Lever foot control (Wet/dry foot control with chip blower/accessory button)	V0041.0007			38.1871.00
<input type="checkbox"/> Euro-style foot control conversion kit	V0079.0001			38.0825.00
<input type="checkbox"/> A-dec relay module (A)	V0169.0001			90.1080.00
<input type="checkbox"/> Second handle kit	V0080.0003			90.1451.00
<input type="checkbox"/> Shut-off valve, compression	V0062.0002			026.062.00
<input type="checkbox"/> Shut-off valve, threaded	V0062.0003			026.158.00
<input type="checkbox"/> Moisture Separator	V0156.0001			41.1477.00
Delivery system base choices subtotal			\$	

LEGEND

- (A)** = Price reflects retail price adjustment to change from standard to optional feature
- (B)** = Additional handpiece position required
- (D)** = Deluxe touchpad required
- (E)** = Requires control block position
- (F)** = Requires controller space
- (I)** = Requires intraoral light source
- (J)** = Side exhausting Borden tubing

CE
0843



Estimated shipping weight: 61 lb. (28 kg)

Performer 8100 Traditional Delivery System

Availability varies: Contact Customer Service for your region's availability.

DOCTOR'S CHOICES	HANDPIECE POSITION					CONFIGURED PART NUMBER	PRICE	TOTAL	ITEM PART NUMBER
	0	1 E	2	3	4				
<input type="checkbox"/> Left-hand configuration						V0128.0002			-
Touchpad									
<input type="checkbox"/> Standard touchpad						V0036.0007			90.1196.00
<input type="checkbox"/> Deluxe touchpad						V0036.0006			90.1197.00
Control Choices									
<input type="checkbox"/> Quad-voltage intraoral light source (Required for handpieces requiring a light source)						V0086.0003			90.1168.00
<input type="checkbox"/> Additional control block position						V0101.0006			-
Syringe Choices									
QD syringe	<input type="checkbox"/>	-	-	-	-	V0267.0005			23.1303.00
Warm water QD syringe F H A	<input type="checkbox"/>	-	-	-	-	V0267.0004			23.1290.01
Air Driven Silicone Handpiece Tubing									
3-hole E I	-	<input type="checkbox"/>	<input type="checkbox"/>	<input type="checkbox"/>	<input type="checkbox"/>	V0267.0015			98.1086.00
4-hole E	-	<input type="checkbox"/>	<input type="checkbox"/>	<input type="checkbox"/>	<input type="checkbox"/>	V0267.0002			98.1087.00
6-pin E I	-	<input type="checkbox"/>	<input type="checkbox"/>	<input type="checkbox"/>	<input type="checkbox"/>	V0267.0001			98.1089.00
5-hole fiber-optic with bulb E I	-	<input type="checkbox"/>	<input type="checkbox"/>	<input type="checkbox"/>	<input type="checkbox"/>	V0267.0006			98.1088.00
Air Driven Vinyl Handpiece Tubing									
3-hole E I	-	<input type="checkbox"/>	<input type="checkbox"/>	<input type="checkbox"/>	<input type="checkbox"/>	V0267.0029			98.1093.00
4-hole E	-	<input type="checkbox"/>	<input type="checkbox"/>	<input type="checkbox"/>	<input type="checkbox"/>	V0267.0031			98.1094.00
6-pin E I	-	<input type="checkbox"/>	<input type="checkbox"/>	<input type="checkbox"/>	<input type="checkbox"/>	V0267.0030			98.1096.00
5-hole fiber-optic with bulb E I	-	<input type="checkbox"/>	<input type="checkbox"/>	<input type="checkbox"/>	<input type="checkbox"/>	V0267.0028			98.1095.00
Electric Motor Systems D E F H									
A-dec Manufacturing Partner W&H									
EA-53 electric motor and tubing	-	<input type="checkbox"/>	<input type="checkbox"/>	<input type="checkbox"/>	<input type="checkbox"/>	V0267.0049			54.0497.00
Control module for EA-53									
<input type="checkbox"/> Single position CM 1.2						V0053.0004			54.0479.03
<input type="checkbox"/> Dual position CM 2.2						V0053.0005			54.0480.03
A-dec Manufacturing Partner NSK									
NLZ electric motor and tubing	-	<input type="checkbox"/>	<input type="checkbox"/>	<input type="checkbox"/>	<input type="checkbox"/>	V0267.0080			54.0605.01
<input type="checkbox"/> Control module for NLZ						V0053.0006			54.0601.01
NLX nano electric motor and tubing	-	<input type="checkbox"/>	<input type="checkbox"/>	<input type="checkbox"/>	<input type="checkbox"/>	V0267.0041			54.0446.01
<input type="checkbox"/> Control module for NLX						V0053.0003			54.0437.01
Curing Light Module H									
Satelec									
Satelec Mini LED curing light	-	<input type="checkbox"/>	<input type="checkbox"/>	<input type="checkbox"/>	<input type="checkbox"/>	V0267.0014			54.0291.00
Satelec ScanWave curing light	-	<input type="checkbox"/>	<input type="checkbox"/>	<input type="checkbox"/>	<input type="checkbox"/>	V0267.0050			54.0474.00
Intraoral Camera Systems E F H									
Dock Modules									
*Analog and USB2	-	<input type="checkbox"/>	<input type="checkbox"/>	<input type="checkbox"/>	<input type="checkbox"/>	V0267.0008			54.0294.00
USB2 only	-	<input type="checkbox"/>	<input type="checkbox"/>	<input type="checkbox"/>	<input type="checkbox"/>	V0267.0074			54.0584.00
Handpieces									
<input type="checkbox"/> SoproCare intraoral camera handpiece only, NTSC						V0043.0011			54.0471.00
<input type="checkbox"/> SoproCare intraoral camera handpiece only, PAL						V0043.0010			54.0472.00
<input type="checkbox"/> SoproLIFE intraoral camera handpiece only, NTSC						V0043.0009			54.0392.00
<input type="checkbox"/> SoproLIFE intraoral camera handpiece only, PAL						V0043.0008			54.0393.00
<input type="checkbox"/> Sopro 717 First intraoral camera handpiece only, NTSC						V0043.0006			54.0421.00
<input type="checkbox"/> Sopro 717 First intraoral camera handpiece only, PAL						V0043.0007			54.0422.00
<input type="checkbox"/> Sopro 617 intraoral camera handpiece only, NTSC						V0043.0005			54.0263.00
<input type="checkbox"/> Sopro 617 intraoral camera handpiece only, PAL						V0043.0002			54.0264.00

Note: *On A-dec 336 - The analog and USB2 dock is only available as a field installed item, but requires removal of the saliva ejector tubing.

Performer 8100 Traditional Delivery System

Availability varies: Contact Customer Service for your region's availability.

DOCTOR'S CHOICES continued	HANDPIECE POSITION					CONFIGURED PART NUMBER	PRICE	TOTAL	ITEM PART NUMBER
	0	1 [ⓑ]	2	3	4				
Ultrasonic Instrument Systems [ⓓ] [ⓔ] [ⓕ] [ⓖ] [ⓗ]									
Satelec									
Satelec Newtron Slim ultrasonic control module and cord set	-	<input type="checkbox"/>	<input type="checkbox"/>	<input type="checkbox"/>	<input type="checkbox"/>	V0267.0072			54.0582.00
Handpieces									
<input type="checkbox"/> Satelec Newtron Slim B.LED ultrasonic handpiece only						V0158.0004			54.0581.00
<input type="checkbox"/> Satelec Newtron Slim ultrasonic handpiece only						V0158.0005			54.0580.00
<input type="checkbox"/> Satelec ultrasonic instrument tip kit						V0196.0001			54.0406.00
Dentsply									
Dentsply Cavitron ultrasonic scaler module, cord set, insert, and Steri-Mate handpiece	-	<input type="checkbox"/>	<input type="checkbox"/>	<input type="checkbox"/>	<input type="checkbox"/>	V0267.0079			
Dentsply Cavitron ultrasonic scaler module, cord set, insert, and Steri-Mate 360 handpiece	-	<input type="checkbox"/>	<input type="checkbox"/>	<input type="checkbox"/>	<input type="checkbox"/>	V0267.0078			
Delivery system base choices subtotal								\$	
Doctor's choices subtotal								\$	
Subtotal for all sections								\$	
Quantity								x	
Grand Total								\$	

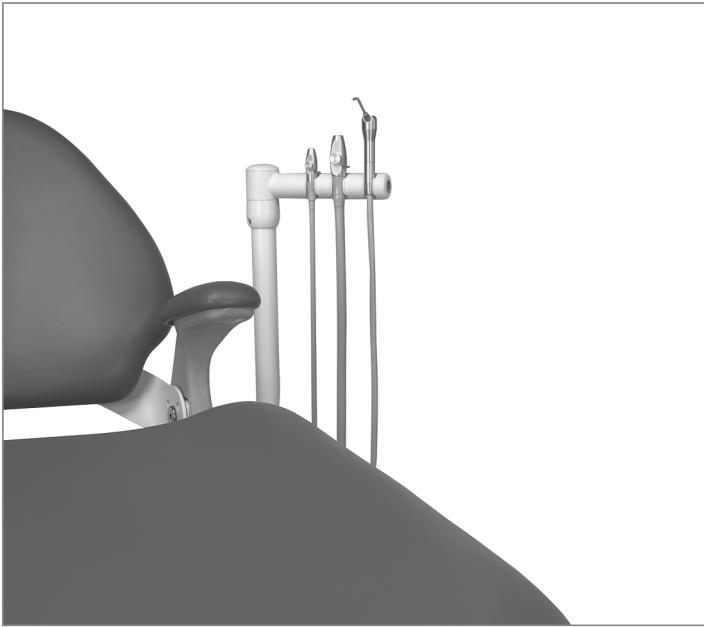
Confirm there are a maximum of 2 controller spaces [ⓕ] used in the configuration	<input type="checkbox"/>
Note: 3 block positions [ⓔ] are standard; 4th control block position requires upgrade [ⓑ]	<input type="checkbox"/>

LEGEND

- [ⓑ] = Additional handpiece position required
- [ⓓ] = Deluxe touchpad required
- [ⓔ] = Requires control block position
- [ⓕ] = Requires controller space
- [ⓖ] = Requires access to 300-watt power supply
- [ⓗ] = Requires intraoral light source
- [ⓘ] = Side exhausting Borden tubing
- [Ⓚ] = Compatible with A-dec 311 version B

Performer 8500 Assistant's Instrumentation

Availability varies: Contact Customer Service for your region's availability.



Performer 8500 assistant's instrumentation (shown with optional 3-way syringe)

STANDARD FEATURES

- Autoclavable high-volume evacuator (HVE), and saliva ejector (SE)
- Mounts to Performer chair
- Back radius hub to position assistant's instrumentation on either side of the chair
- A-dec (aluminum) instrumentation

ASSISTANT'S INSTRUMENTATION CHOICES	CONFIGURED PART NUMBER	PRICE	TOTAL	ITEM PART NUMBER
8500 assistant's arm	V0195.0252			-
<input type="checkbox"/> 3-way syringe	V0105.0082			23.1311.00
<input type="checkbox"/> Auto air switching (Required for AVS and Single Op Vac)	V0490.0002			-
Instrumentation Type				
<input type="checkbox"/> A-dec (aluminum) instrumentation (choose size)	V0408.0006			-
<input type="checkbox"/> 11mm HVE	V0200.0001			-
<input type="checkbox"/> 15mm large bore HVE Not available in dual HVE configuration	V0200.0007			-
<input type="checkbox"/> Durr (polymer) instrumentation	V0408.0007			-
Additional HVE				
<input type="checkbox"/> 11mm Durr brand (polymer)				90.1287.00
<input type="checkbox"/> 11mm A-dec brand (aluminum)				90.1566.00
Assistant's instrumentation choices subtotal			\$	
Subtotal			\$	
Quantity			x	
Grand Total			\$	



Estimated shipping weight: 28 lb. (13 kg)

Performer 8200 Cuspidor and Support Center

Availability varies: Contact Customer Service for your region's availability.

STANDARD FEATURES

- White color with gray accents
- Vitreous china bowl with bowl screen
- Accommodates large tumbler
- Rotates +/- 45°
- Programmable cup fill and bowl rinse timers
- Mounts to Performer dental chairs
- 2-liter water bottle



Performer 8200 cuspidor and support center

CUSPIDOR AND SUPPORT CENTER CHOICES	CONFIGURED PART NUMBER	PRICE	TOTAL
8200 cuspidor and support center	V0195.0251		
Quantity			X
Grand Total			\$



Estimated shipping weight:
66 lb. (30 kg)
UPS shipping available

Performer Dental Light Options

Availability varies: Contact Customer Service for your region's availability.



A-dec 300 LED dental light

A-DEC 300 LED LIGHT STANDARD FEATURES

- 40,000 hour-rated, bright white LEDs
- Two intensity settings: High and composite/low
- Light head includes 3-axis rotation: horizontal, vertical and diagonal adjustment
- Optically balanced LED array provides feathered-edge and uniform light pattern
- Touchpad or local on/off control
- Auto On/Off functions with A-dec Performer chair presets (requires touchpad functionality)
- For optical specifications refer to the specifications chart in the dental lights section

NOTE: 300-watt power supply included with Performer chair.



A-dec 500 LED dental light

A-DEC 500 LED LIGHT STANDARD FEATURES

- 40,000 hour-rated, bright white LEDs
- Three intensity and one cure-safe setting
- Light head includes 3-axis rotation: horizontal, vertical and diagonal adjustment
- Optically balanced LED array provides feathered-edge and uniform light pattern
- Touchpad or local control
- Auto On/Off functions with A-dec Performer chair presets
- For optical specifications refer to the specifications chart in the dental lights section

NOTE: 300-watt power supply included with Performer chair.



Estimated shipping weight:
A-dec 371L and 571/571L – 35 lb. (16 kg)
A-dec 372L and 572L – 47 lb. (21 kg)
UPS shipping available

Performer Dental Light Options

PERFORMER DENTAL LIGHT OPTIONS	CONFIGURED PART NUMBER	PRICE	TOTAL	ITEM PART NUMBER
Support center mounted				
<input type="checkbox"/> 571L LED light for support center	V0195.0180			-
<input type="checkbox"/> 371L LED light for support center	V0195.0253			-
<input type="checkbox"/> No touchpad function	V0409.0003			-
Radius chair mounted				
<input type="checkbox"/> 572L LED light for Radius mount configuration	V0195.0186			-
<input type="checkbox"/> 372L LED light for Radius mount configuration	V0195.0254			-
<input type="checkbox"/> No touchpad function	V0409.0003			-
Subtotal			\$	
Quantity			x	
Grand Total			\$	

Performer Monitor Mount Options

Availability varies: Contact Customer Service for your region's availability.



Performer monitor mount

PERFORMER MONITOR MOUNT STANDARD FEATURES

- Accommodates 15", 17", or 19" flat panel monitors
- Adjustable tilt mechanism accommodates multiple viewing angles
- Mount rotation accommodates viewing from various positions
- Rotational stop and access hole for functional cable management

NOTE: The front hub can accommodate a delivery system OR a Performer monitor mount. Maximum flat panel monitor weight is 25 lb. Requires bolting chair to the floor. Monitor not included.



381 light post monitor mount, floating

381/482 MONITOR MOUNT STANDARD FEATURES

- Mounts to:
362/363/372/571/571L/572/
572L/Performer light post
- Integrated cable management with cover
- Includes power cable
- Includes HDMI video cable
- Floating tilt mechanism for one-handed adjustment
- 482 Monitor mount includes arm for additional range of motion



482 light post monitor mount with arm, floating

PERFORMER MONITOR MOUNT OPTIONS	CONFIGURED PART NUMBER	PRICE	TOTAL	ITEM PART NUMBER
<input type="checkbox"/> Performer monitor mount	-			77.1378.00
<input type="checkbox"/> 381 light post monitor mount, floating	V0195.0079			
<input type="checkbox"/> 482 light post monitor mount with arm, floating	V0195.0094			
Subtotal			\$	
Quantity			x	
Grand Total			\$	



Estimated shipping weight: Monitor Mount - 18 lb. (8.17 kg)

A-dec 200 System



SECTION CONTENTS

A-dec 200 Support-Mount System	79
Chair Options	80
Delivery Options	81
Support Options	82
Dental Light Options.	83
Monitor Mount Options	85

A-dec 200 Support-mount System

Availability varies: Contact Customer Service for your region's availability.



A-dec 200 cuspidor and support center with assistant's instrumentation (shown)



A-dec 200 delivery system (shown)



A-dec 200 bitewing viewer (shown)



571L-200 dental light



371L-200 dental light



A-dec 200 dental light (shown)

Light post monitor mount



A-dec 200 monitor mount

A-dec 200 System - Chair Options

Availability varies: Contact Customer Service for your region's availability.



A-dec 200 dental chair with delivery system, support center, cuspidor, assistant's instrumentation and light

STANDARD FEATURES

- Dual-articulating headrest
- Cast-aluminum baseplate
- Hydraulic cantilever system with stop plate shut-off
- 300-watt power supply
- Contoured floor box
- Overmolded fold-down armrests
- UL rated to 400 lb. (181 kg.) maximum patient load*

*Load rating is based on UL requirement of 6X (2400 lb./1089 kg.) overload static testing

A-DEC 200™ SYSTEM

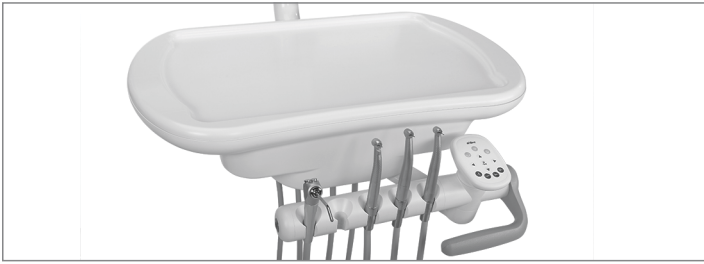
Chair
 Delivery system
 Support center
 Assistant's instrumentation
 Cuspidor
 Light

CHAIR OPTIONS (Choose voltage and color)	VOLTAGE	ITEM PART NUMBER	PRICE	TOTAL
Amethyst	<input type="checkbox"/> 120V	62.0890.118		
	<input type="checkbox"/> 240V	62.0891.118		
Black	<input type="checkbox"/> 120V	62.0890.13		
	<input type="checkbox"/> 240V	62.0891.13		
Indigo	<input type="checkbox"/> 120V	62.0890.33		
	<input type="checkbox"/> 240V	62.0891.33		
Lemongrass	<input type="checkbox"/> 120V	62.0890.98		
	<input type="checkbox"/> 240V	62.0891.98		
Paprika	<input type="checkbox"/> 120V	62.0890.37		
	<input type="checkbox"/> 240V	62.0891.37		
Sapphire	<input type="checkbox"/> 120V	62.0890.46		
	<input type="checkbox"/> 240V	62.0891.46		
Sky Blue	<input type="checkbox"/> 120V	62.0890.41		
	<input type="checkbox"/> 240V	62.0891.41		
Tawny	<input type="checkbox"/> 120V	62.0890.32		
	<input type="checkbox"/> 240V	62.0891.32		
DEALER-INSTALLED CHOICES		ITEM PART NUMBER	PRICE	TOTAL
<input type="checkbox"/> Programmable footswitch		62.0163.01		
Subtotal				\$
Quantity				x
Grand Total				\$



A-dec 200 System - Delivery Options

Availability varies: Contact Customer Service for your region's availability.



A-dec 200 delivery system

STANDARD FEATURES

- Control top designed to hold two stainless steel trays
- Balanced flexarm
- Individually adjustable holder
- Adjustable handle

A-DEC 200 DELIVERY SYSTEM CHOICES	ITEM PART NUMBER	PRICE	TOTAL
Silicone Tubing			
<input type="checkbox"/> With (1) 4-hole tubing, (2) 6-pin fiber-optic tubing, with touchpad	77.1183.04		
<input type="checkbox"/> With (1) 4-hole tubing, (2) 6-pin fiber-optic tubing, with deluxe touchpad	77.1620.04		
<input type="checkbox"/> With (3) 4-hole tubing, no fiber-optic tubing, no touchpad	77.1618.04		
<input type="checkbox"/> With (3) 4-hole tubing, no fiber-optic tubing, with touchpad	77.1619.04		
Vinyl Tubing			
<input type="checkbox"/> With (1) 4-hole tubing, (2) 6-pin fiber-optic tubing, with touchpad	77.1118.04		
<input type="checkbox"/> With (1) 4-hole tubing, (2) 6-pin fiber-optic tubing, with deluxe touchpad	77.1462.04		
<input type="checkbox"/> With (3) 4-hole tubing, no fiber-optic tubing, no touchpad	77.1115.04		
<input type="checkbox"/> With (3) 4-hole tubing, no fiber-optic tubing, with touchpad	77.1117.04		
Foot Control Choices			
<input type="checkbox"/> Disc foot control (Wet/dry foot control with chip blower/accessory button)	38.1862.00		
<input type="checkbox"/> Lever foot control (Wet/dry foot control with chip blower/accessory button)	38.1871.00		
DOCTOR'S OPTIONS	ITEM PART NUMBER	PRICE	TOTAL
<input type="checkbox"/> Bitewing viewer	70.1054.01		
<input type="checkbox"/> 3-hole Borden vinyl tubing kit, includes 3 handpiece tubings	90.1285.00		
<input type="checkbox"/> Stainless steel tray	043.001.00		
Subtotal			\$
Quantity			x
Grand Total			\$



A-dec 200 System - Support Options

Availability varies: Contact Customer Service for your region's availability.



A-dec 200 support center, cuspidor and assistant's instrumentation

STANDARD FEATURES

- Telescoping arm on assistant's instrumentation
- 2 liter water bottle
- High-volume evacuator (HVE) and saliva ejector (SE)
- Rotating ceramic cuspidor

A-DEC 200 SUPPORT CENTER, CUSPIDOR, ASSISTANT'S INSTRUMENTATION CHOICES	ITEM PART NUMBER	PRICE	TOTAL
A-dec (aluminum) instrumentation			
<input type="checkbox"/> 3-Position holder with standard 11mm HVE, SE, no touchpad (central vac.)	77.1459.01		
<input type="checkbox"/> 3-Position holder with standard 11mm HVE, SE, auto-air holders, no touchpad Note: If ordering with air vacuum system, you will need to order the air vacuum system kit, P/N 77.1136.00 (See dealer-installed support center options)	77.1460.01		
<input type="checkbox"/> 3-Position holder with standard 11mm HVE, SE, auto-air holders, with touchpad Note: If ordering with air vacuum system, you will need to order the air vacuum system Kit, P/N 77.1136.00 (See dealer-installed support center options)	77.1461.01		
Durr (polymer) instrumentation			
<input type="checkbox"/> 3-Position holder with standard 11mm HVE, SE, no touchpad (central vac.)	77.1119.01		
<input type="checkbox"/> 3-Position holder with standard 11mm HVE, SE, auto-air holders, no touchpad Note: If ordering with air vacuum system, you will need to order the air vacuum system kit, P/N 77.1136.00 (See dealer-installed support center options)	77.1120.01		
<input type="checkbox"/> 3-Position holder with standard 11mm HVE, SE, auto-air holders, with touchpad Note: If ordering with air vacuum system, you will need to order the air vacuum system Kit, P/N 77.1136.00 (See dealer-installed support center options)	77.1121.01		
DOCTOR'S OPTIONS	ITEM PART NUMBER	PRICE	TOTAL
<input type="checkbox"/> 3-Way syringe	23.1302.00		
<input type="checkbox"/> 2nd Standard 11mm HVE for Durr (polymer) instrumentation	90.1287.00		
<input type="checkbox"/> 2nd Standard 11mm HVE for A-dec (aluminum) instrumentation	90.1566.00		
<input type="checkbox"/> Air QD	76.2030.00		
<input type="checkbox"/> Water QD	76.2025.00		
<input type="checkbox"/> Air moisture separator	41.1477.01		
<input type="checkbox"/> Air vacuum system (This system works on a venturi principle and incoming air flow is converted into vacuum)	77.1136.00		
<input type="checkbox"/> Remote floor box and umbilical	77.1019.00		
Shut-off Valve			
<input type="checkbox"/> 1/2" compression inlet, 3/8" compression outlet	026.062.00		
<input type="checkbox"/> 1/2" female pipe thread inlet, 3/8" compression outlet	026.158.00		
Subtotal			\$
Quantity			x
Grand Total			\$



A-dec 200 System - Dental Light Options

Availability varies: Contact Customer Service for your region's availability.



A-dec 371L-200 LED dental light

A-DEC 300 LED LIGHT STANDARD FEATURES

- 40,000 hour-rated, bright white LEDs
- Two intensity settings: High and composite/low
- Light head includes 3-axis rotation: horizontal, vertical and diagonal adjustment
- Optically balanced LED array provides feathered-edge and uniform light pattern
- Touchpad or local on/off control
- Auto On/Off functions with A-dec 200 chair presets (requires touchpad functionality)
- For optical specifications refer to the specifications chart in the dental lights section

NOTE: 300-watt power supply included with Performer chair.



A-dec 571L-200 LED dental light

A-DEC 500 LED LIGHT STANDARD FEATURES

- 40,000 hour-rated, bright white LEDs
- Three intensity and one cure-safe setting
- Light head includes 3-axis rotation: horizontal, vertical and diagonal adjustment
- Optically balanced LED array provides feathered-edge and uniform light pattern
- Touchpad or local control
- Auto On/Off functions with A-dec 200 chair presets
- For optical specifications refer to the specifications chart in the dental lights section

NOTE: 300-watt power supply included with A-dec 200 chair.



A-dec 200 halogen dental light

A-DEC 200 HALOGEN LIGHT STANDARD FEATURES

- Mounts to A-dec 200 support center
- Light head includes 3-axis rotation: horizontal, vertical and diagonal adjustment
- Touchpad or local control
- Halogen light
- Two intensities: high and low
- For optical specifications refer to the specifications chart in the dental lights section

NOTE: 300-watt power supply included with A-dec 200 chair.



Estimated shipping weight:
A-dec 371L and 571/571L - 35 lb. (16 kg)
UPS shipping available

A-dec 200 System - Dental Light Options

DENTAL LIGHT OPTIONS	CONFIGURED PART NUMBER	PRICE	TOTAL	ITEM PART NUMBER
<input type="checkbox"/> A-dec 571L-200 LED light	V0195.0180			-
<input type="checkbox"/> A-dec 371L-200 LED light	V0195.0253			-
<input type="checkbox"/> No touchpad function	V0409.0003			-
<input type="checkbox"/> A-dec 200 halogen light	-			28.1826.01
Subtotal			\$	
Quantity			x	
Grand Total			\$	

A-dec 200 System - Monitor Mount Options and Stool



A-dec 200 monitor mount

A-DEC 200 MONITOR MOUNT STANDARD FEATURES

- Accommodates 15", 17", and 19" flat panel monitors
- Monitor mount tilt mechanism accommodates multiple viewing angles
- Cable management
- Monitor arm rotates and tilts

MONITOR MOUNT	ITEM PART NUMBER	PRICE	TOTAL
<input type="checkbox"/> A-dec 200 monitor mount	77.1323.00		
Subtotal			\$
Quantity			x
Grand Total			\$



A-dec 200 doctor's stool

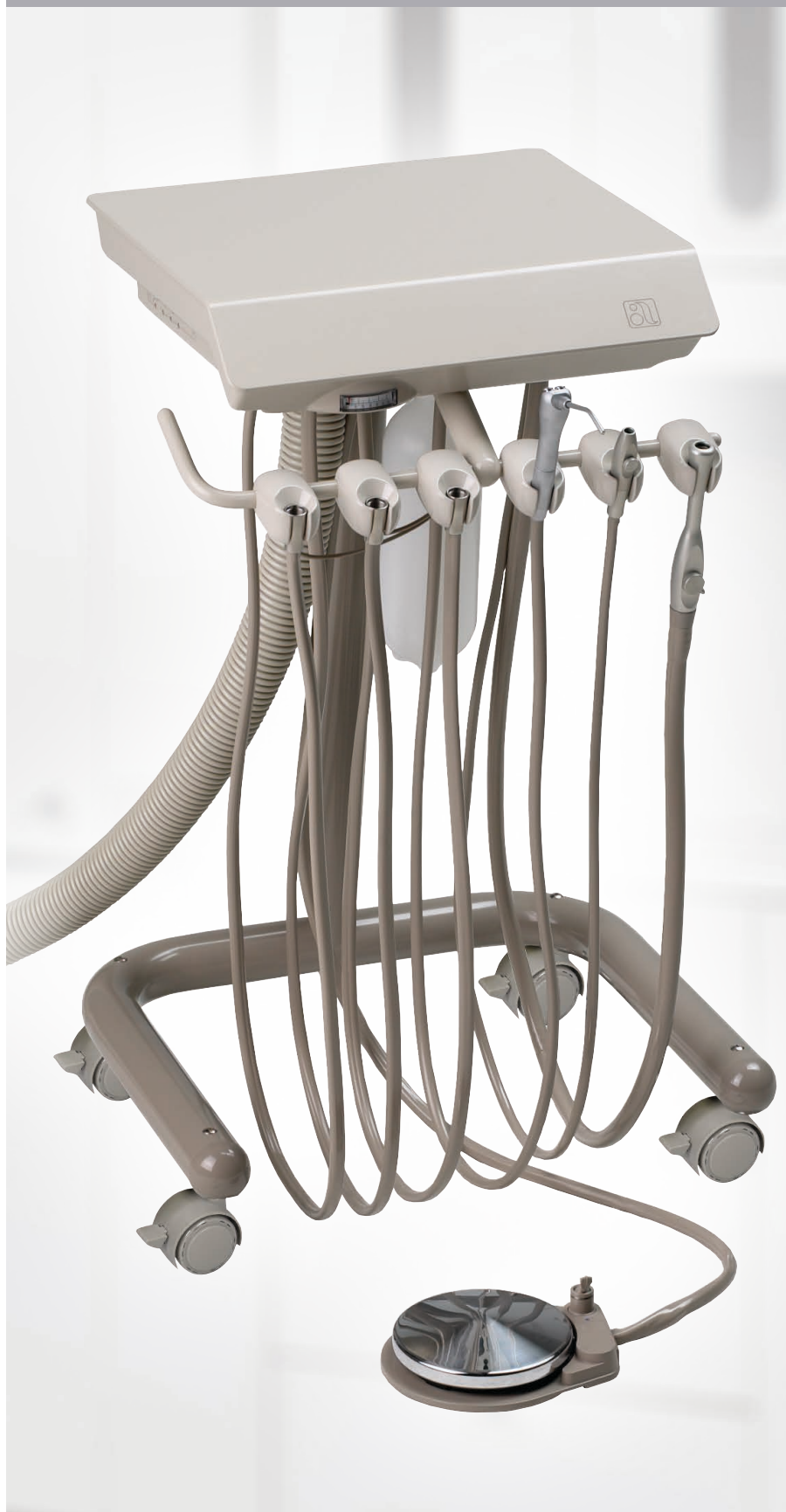
A-DEC 200 DOCTOR'S STOOL STANDARD FEATURES

- Large, anatomically-shaped backrest
- Seating adjustments: backrest tilt, seat height and tilt
- Formed upholstery
- Sturdy five-leg base
- Twin-wheeled casters

*A-DEC 200 DOCTOR'S STOOL: AVAILABLE TO LIMITED MARKETS, CALL FOR AVAILABILITY	PRICE	TOTAL
<input type="checkbox"/> A-dec 200 doctor's stool		
<input type="checkbox"/> 421 doctor's stool with contoured seat (see stools section for details)		
<input type="checkbox"/> 422 assistant's stool with contoured-round seat (see stools section for details)		
Subtotal		\$
Quantity		x
Grand Total		\$

Note: *A-dec 200 stool is only available when purchased with an A-dec 200 equipment package. This product is available to limited markets. Please contact your local dealer for availability. Stool color will be matched to your chair upholstery.

Carts



SECTION CONTENTS

Decade 2561 Duo Cart90
Decade 2562 Doctor's Cart90
5744 Oregon Cart.92

Factory and Dealer Installed Choices

FACTORY-INSTALLED CHOICES

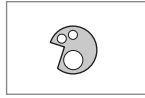


Lever foot control

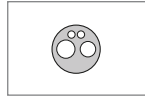


Disc foot control

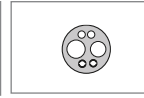
Tubing options:



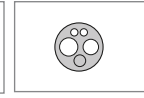
3-hole **E**



4-hole **E**



6-pin
fiber-optic **E**



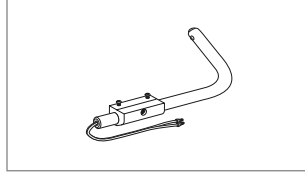
5-hole fiber-optic
with bulb **E**



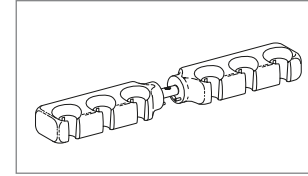
Autoclavable or warm water syringe



Chair touchpad, programmable

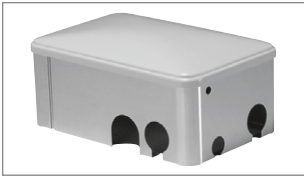


Second push-button brake



6-position unitized holder required for
intraoral camera

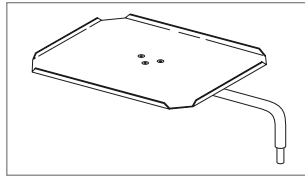
DEALER-INSTALLED CHOICES



Medium stainless steel floor box frame
and cover



Large stainless steel floor box frame
and cover



Arm-mounted tray holder
(2671 and 2615)

Decade 2561 Duo and 2562 Doctor's Cart



Decade 2561 duo cart, shown with handpiece tubing



Decade 2562 doctor's cart, shown with handpiece tubing

STANDARD FEATURES

- Century Plus control blocks
- Autoclavable QD syringe
- Self-contained water system with threaded 0.7-liter water bottle
- Handpiece oil collection system
- 14.2" x 15.2" (360 mm x 386 mm) flat worksurface
- Decade assistant's instrumentation – (2561 only) includes solids collector, autoclavable saliva ejector (SE), and autoclavable HVE
- Fixed-height, powder-coat painted frame 30" (762 mm)
- Medium stainless steel floor box
- Air and water filters and pressure regulators located inside the cart head
- Umbilical length: 7' (2,134 mm)

LEGEND

- A** = Price reflects retail price adjustment to change from standard to optional feature
- B** = Additional handpiece position required
- C** = Touchpad required
- D** = Deluxe touchpad required
- E** = Requires control block position
- F** = Requires controller space
- G** = Requires access to 25-watt power supply
- H** = Requires access to 300-watt power supply
- J** = Side exhausting Borden tubing
- K** = Requires intraoral light source



Estimated shipping weight:
2561 – 60 lb. (27 kg)
2562 – 60 lb. (27 kg)
UPS shipping available

Decade 2561 Duo and 2562 Doctor's Cart

DELIVERY SYSTEM BASE CHOICES	CONFIGURED PART NUMBER	PRICE	TOTAL	ITEM PART NUMBER				
<input type="checkbox"/> 2561 Duo cart delivery system	V0195.0005			-				
<input type="checkbox"/> 2562 doctor's cart	V0195.0006			-				
<input type="checkbox"/> Duplex outlet	V0037.0003			-				
Foot Control Choices								
<input type="checkbox"/> Disc foot control (Wet/dry foot control)	V0041.0003			38.1890.00				
<input type="checkbox"/> Disc foot control A (Wet/dry foot control with chip blower)	V0041.0002			38.1889.00				
<input type="checkbox"/> Lever foot control (Wet/dry foot control with chip blower/accessory button)	V0041.0007			38.1871.01				
<input type="checkbox"/> Euro style foot control conversion kit	V0079.0001			38.0825.00				
<input type="checkbox"/> Filter elements (pkg of 6)	V0088.0001			24.0234.01				
<input type="checkbox"/> Moisture separator	V0156.0001			-				
25-watt power supply								
<input type="checkbox"/> 120 volts	V0060.0010			28.1480.00				
<input type="checkbox"/> 240 volts	V0060.0009			28.1481.00				
300-watt power supply								
<input type="checkbox"/> 120 volts	V0060.0006			28.1435.00				
<input type="checkbox"/> 240 volts	V0060.0007			28.1436.00				
<input type="checkbox"/> 7' (2m) umbilical	V0071.0005			-				
<input type="checkbox"/> 7' (2m) umbilical with extra cable	V0071.0008			-				
<input type="checkbox"/> 9' (2.7m) umbilical	V0071.0004			-				
<input type="checkbox"/> 9' (2.7m) umbilical with extra cable	V0071.0009			-				
Delivery system base choices subtotal			\$					
DOCTOR'S CHOICES	HANDPIECE POSITIONS				CONFIGURED PART NUMBER	PRICE	TOTAL	ITEM PART NUMBER
	1	2	3	4 ⓐ				
<input type="checkbox"/> Quad-voltage intraoral light source ⓐ (Required for handpieces requiring a light source)					V0086.0003			90.1359.00
<input type="checkbox"/> No tubing	<input type="checkbox"/>	<input type="checkbox"/>	<input type="checkbox"/>	<input type="checkbox"/>	V0267.0003			-
<input type="checkbox"/> QD syringe					V0267.0005			23.1303.00
<input type="checkbox"/> Additional control block position (Required for position 4)					V0101.0004			38.0631.00
<input type="checkbox"/> Adjustable height U-frame A 26" - 38" (660 mm - 965 mm)					V0127.0001			30.0855.00
<input type="checkbox"/> Additional HVE (For Decade 2561 only)					V0087.0001			-
<input type="checkbox"/> Additional holder (Required with additional HVE)					V0283.0001			99.0584.00
<input type="checkbox"/> Large stainless steel floor box frame and cover A					V0040.0013			41.1456.00
<input type="checkbox"/> Shut-off valve, compression (x2)					V0062.0007			026.062.00
<input type="checkbox"/> Shut-off valve, threaded (x2)					V0062.0006			026.158.00
<input type="checkbox"/> Foot control carrier, horizontal holder					V0144.0002			17.0807.02
Air Driven Silicone Handpiece Tubing								
3-hole ⓐ	<input type="checkbox"/>	<input type="checkbox"/>	<input type="checkbox"/>	<input type="checkbox"/>	V0267.0017			98.1033.01
4-hole	<input type="checkbox"/>	<input type="checkbox"/>	<input type="checkbox"/>	<input type="checkbox"/>	V0267.0018			98.1034.01
6-pin ⓐ	<input type="checkbox"/>	<input type="checkbox"/>	<input type="checkbox"/>	<input type="checkbox"/>	V0267.0019			98.1036.01
5-hole fiber-optic with bulb ⓐ	<input type="checkbox"/>	<input type="checkbox"/>	<input type="checkbox"/>	<input type="checkbox"/>	V0267.0020			98.1035.01
Air Driven Vinyl Handpiece Tubing								
3-hole ⓐ	<input type="checkbox"/>	<input type="checkbox"/>	<input type="checkbox"/>	<input type="checkbox"/>	V0267.0029			98.1093.00
4-hole	<input type="checkbox"/>	<input type="checkbox"/>	<input type="checkbox"/>	<input type="checkbox"/>	V0267.0031			98.1094.00
6-pin fiber-optic ⓐ	<input type="checkbox"/>	<input type="checkbox"/>	<input type="checkbox"/>	<input type="checkbox"/>	V0267.0030			98.1096.00
5-hole fiber-optic with bulb ⓐ	<input type="checkbox"/>	<input type="checkbox"/>	<input type="checkbox"/>	<input type="checkbox"/>	V0267.0028			98.1095.00
Doctor's choices subtotal							\$	
Delivery system base choices subtotal							\$	
Subtotal of all sections							\$	
Quantity							x	
Grand Total							\$	

5744 Oregon Cart



5744 Oregon Cart

STANDARD FEATURES

- 19.25" x 22.75" (490 mm x 580 mm) sliding work surface; side to side
- 7" deep (177 mm) storage well
- Four storage drawers lock open and have aluminum handles. Inside drawer dimensions: 16.12" wide x 15" long (410 mm x 382 mm). Three drawers are 2.12" (56 mm) deep. One drawer is 6.75" (171 mm) deep
- Clear tile casters
- 3 mm edge banding on drawers
- Laminate color choices for all panels: front drawers, work surface, side, and back (see page 159)

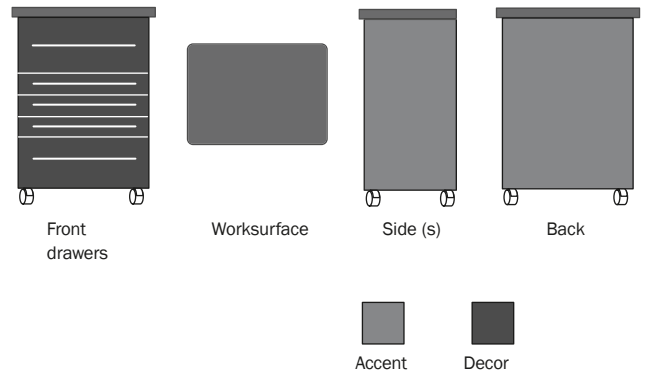


5744 Oregon Cart; Shown with optional 7004 Cart-Pac delivery system

7004 CART-PAC STANDARD FEATURES

- Master shut-off with On/Off indicator
- Assistant's instrumentation with central vacuum, solids collector, autoclavable quick-disconnect (QD) saliva ejector (SE), autoclavable QD high-volume evacuator (HVE), and autoclavable syringe
- Self-contained water system with threaded 0.7-liter water bottle
- 3-position holder
- Medium floor box includes air-actuated water shut-off valve with manual air and water shut-off valves
- Umbilical length: 7' (2,134 mm)
- Water QD outlet and flow control

NOTE: The Cart-Pac 7004 can only be installed on a laminate work surface that slides side-to-side.





LEGEND

A = Price reflects retail price adjustment to change from standard to optional feature



Estimated shipping weights:
5744 – 115 lb. (52.2 kg)
7004 – 20 lb. (9.07 kg)

5744 Oregon Cart

5744 OREGON CART CHOICES	CONFIGURED PART NUMBER	PRICE	TOTAL	ITEM PART NUMBER
<input type="checkbox"/> 4 drawer, side to side sliding top	V0195.0202			-
<input type="checkbox"/> 4 drawer, front to back sliding top	V0195.0198			-
<input type="checkbox"/> 4 drawer, locking drawers and locking side to side sliding top	V0195.0199			-
<input type="checkbox"/> 5 drawer, fixed top	V0195.0200			-
<input type="checkbox"/> 5 drawer, fixed top, locking drawers	V0195.0201			-
Oregon Cart choices subtotal			\$	
WORKSURFACE COLOR CHOICES, SEE PAGE 159	CONFIGURED PART NUMBER	PRICE	TOTAL	ITEM PART NUMBER
<input type="checkbox"/> HPD laminate; color choice is:	V0334.0070			-
<input type="checkbox"/> Solid surface  ; color choice is:	V0334.0071			-
<input type="checkbox"/> Quartz  ; color choice is:	V0334.0069			-
<input type="checkbox"/> Accent:				
<input type="checkbox"/> Decor:				
Worksurface color choices subtotal			\$	
Oregon Cart choices subtotal			\$	
Subtotal of all sections			\$	
Quantity			x	
Grand Total			\$	

ASSISTANT'S INSTRUMENTATION CHOICES	CONFIGURED PART NUMBER	PRICE	TOTAL	ITEM PART NUMBER
Cart-Pac 7004 assistant's instrumentation	V0195.0226			-
<input type="checkbox"/> Oregon Cart bracket	V0055.0013			-
<input type="checkbox"/> Filter elements (pkg of 5)	V0088.0001			24.0234.01
Syringe				
<input type="checkbox"/> Autoclavable QD syringe (requires utilities)	V0105.0005			23.1303.00
<input type="checkbox"/> Remove autoclavable QD syringe	V0105.0016			-
<input type="checkbox"/> Additional HVE and holder	V0087.0001			
<input type="checkbox"/> Shut-off valve, compression (x2)	V0062.0007			026.062.00
<input type="checkbox"/> Shut-off valve, threaded (x2)	V0062.0006			026.158.00
Floor box				
<input type="checkbox"/> Medium stainless steel floor box with utilities	V0040.0006			41.1455.00
<input type="checkbox"/> Utilities only, no floor box	V0040.0011			-
Assistant's instrumentation choices subtotal			\$	
Quantity			x	
Grand Total			\$	

Dental Lights



SECTION CONTENTS

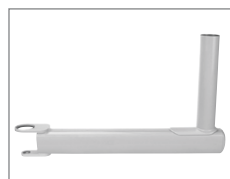
LED

A-dec 500 LED Dental Light	97
A-dec 300 LED Dental Light	99
Post-Mount Dental Light	101
Dental Light Specifications	103

MOUNTING LOCATIONS



SUPPORT ITEMS



NOTE: Must have support link and lower support arm to mount A-dec 571/571L/371L to A-dec 511 dental chair.



A-dec 500 LED Dental Light



A-dec 500 LED dental light

STANDARD FEATURES

- 40,000 hour-rated, bright white LEDs
- Three intensity and one cure-safe setting
- Light head includes 3-axis rotation: horizontal, vertical and diagonal adjustment
- Optically balanced LED array provides feathered-edge and uniform light pattern
- Touchpad or local control
- Auto On/Off functions with A-dec 511, 411, 311, 200, or Performer chair presets
- For optical specifications refer to page 103

NOTE: 300-watt power supply included with A-dec 511, 411, 311, 200, and Performer chairs.

A-dec recommends the Medicom SafeShield disposable protective barrier designed exclusively for the A-dec 300 and 500 LED dental lights to protect your investment. For distribution or sales information on Safe Shield (item #9565), please contact Medicom via email at sales@medicom.ca or Customer Service at 1.800.361.2862 or 514.636.6262.

A-DEC 500 LED DENTAL LIGHT CHOICES continued on next page	MOUNTING	CONFIGURED PART NUMBER	PRICE	TOTAL	ITEM PART NUMBER
Radius Chair Mounted					
<input type="checkbox"/> 572L Radius mount LED light	<input type="checkbox"/> 511 <input type="checkbox"/> 411 <input type="checkbox"/> 311B <input type="checkbox"/> Performer	V0195.0186			-
<input type="checkbox"/> 511 Mounting kit for 572L dental light without dual-mount delivery system		V0094.0001			77.1165.00
Support Center Mounted					
<input type="checkbox"/> 571L Support center LED light	<input type="checkbox"/> 500 Lower support arm <input type="checkbox"/> 561 support center <input type="checkbox"/> 362 support center* <input type="checkbox"/> 363 support center* <input type="checkbox"/> Performer support center <input type="checkbox"/> 200 support center (*Includes intermediate post)	V0195.0180			-
<input type="checkbox"/> Support link		V0090.0001			77.1020.00
<input type="checkbox"/> Lower support arm		V0091.0001			77.1029.00
Central Cabinet Mounted					
<input type="checkbox"/> 574L Central cabinet mount LED light		V0195.0203			-
Wall/Side Cabinet Mounted					
<input type="checkbox"/> 575L Wall/side cabinet mount LED light	<input type="checkbox"/> Wall mount <input type="checkbox"/> 593/595	V0195.0204			-
Ceiling Mounted					
<input type="checkbox"/> 576L Ceiling mount LED light		V0195.0205			-
Ceiling height:	Length of post:				
<input type="checkbox"/> 8' (2,438 mm)	17" (432 mm)	V0089.0018			28.1810.00
<input type="checkbox"/> 8' 6" (2,591 mm)	23" (584 mm)	V0089.0020			28.1810.01
<input type="checkbox"/> 9' (2,743 mm)	29" (737 mm)	V0089.0019			28.1810.02
<input type="checkbox"/> 9' 6" (2,896 mm)	35" (889 mm)	V0089.0017			28.1810.03
<input type="checkbox"/> 10' (3,048 mm)	41" (1,041 mm)	V0089.0013			28.1810.04
<input type="checkbox"/> 10' 6" (3,200 mm)	47" (1,194 mm)	V0089.0012			28.1810.05
<input type="checkbox"/> 11' (3,353 mm)	53" (1,346 mm)	V0089.0014			28.1810.06
<input type="checkbox"/> 11' 6" (3,501 mm)	59" (1,499 mm)	V0089.0016			28.1810.07
<input type="checkbox"/> 12' (3,658 mm)	65" (1,651 mm)	V0089.0015			28.1810.08



Estimated shipping weight: 571L - 35 lb. (16 kg); 572L - 47 lb. (21 kg); Ceiling-Mount - 44 lb. (20 kg); Track-Mount - 54 lb. (25 kg) UPS shipping available

A-dec 500 LED Dental Light

A-DEC 500 LED DENTAL LIGHT CHOICES continued		MOUNTING	CONFIGURED PART NUMBER	PRICE	TOTAL	ITEM PART NUMBER
Track-Mounted						
<input type="checkbox"/> 577L Track-mount LED light			V0195.0206			-
Ceiling height	Length of post					
<input type="checkbox"/> 8' (2,438 mm)	15" (381 mm)		V0089.0018			28.1817.00
<input type="checkbox"/> 8' 6" (2,591 mm)	21" (533 mm)		V0089.0020			28.1817.01
<input type="checkbox"/> 9' (2,743 mm)	27" (686 mm)		V0089.0019			28.1817.02
<input type="checkbox"/> 9' 6" (2,896 mm)	33" (838 mm)		V0089.0017			28.1817.03
<input type="checkbox"/> 10' (3,048 mm)	39" (991 mm)		V0089.0013			28.1817.04
Subtotal					\$	
Quantity					x	
Grand Total					\$	

LED UPGRADE KIT	ITEM PART NUMBER	PRICE	TOTAL
<input type="checkbox"/> LED light upgrade kit; White	28.1924.00		
<input type="checkbox"/> LED light upgrade kit; Surf	28.1925.00		



Estimated shipping weight: 571L - 35 lb. (16 kg); 572L - 47 lb. (21 kg);
Ceiling-Mount - 44 lb. (20 kg); Track-Mount - 54 lb. (25 kg)
UPS shipping available

A-dec 300 LED Dental Light

Availability varies: Contact Customer Service for your region's availability.



A-dec 300 LED dental light

STANDARD FEATURES

- 40,000 hour-rated, bright white LEDs
- Two intensity settings: high and composite/low
- Light head includes 3-axis rotation: horizontal, vertical and diagonal adjustment
- Optically balanced LED array provides feathered-edge and uniform light pattern
- Touchpad or local on/off control
- Auto On/Off functions with A-dec 511, 411, 311, 200, or Performer chair presets
- For optical specifications refer to page 103

NOTE: 300-watt power supply included with A-dec 511, 411, 311, 200, and Performer chairs.

A-dec recommends the Medicom SafeShield disposable protective barrier designed exclusively for the A-dec 300 and 500 LED dental lights to protect your investment. For distribution or sales information on Safe Shield (item #9565), please contact Medicom via email at sales@medicom.ca or Customer Service at 1.800.361.2862 or 514.636.6262.

A-DEC 300 LED DENTAL LIGHT CHOICES	MOUNTING	CONFIGURED PART NUMBER	PRICE	TOTAL	ITEM PART NUMBER
Radius Chair Mounted					
<input type="checkbox"/> 372L Radius mount LED light	<input type="checkbox"/> 511 <input type="checkbox"/> 411 <input type="checkbox"/> 311B <input type="checkbox"/> Performer	V0195.0254			-
<input type="checkbox"/> 511 Mounting kit for 372L dental light without dual-mount delivery system		V0094.0001			77.1165.00
<input type="checkbox"/> No touchpad function (Performer only)		V0094.0003			-
Support Center Mounted					
<input type="checkbox"/> 371L Support center LED light	<input type="checkbox"/> 500 Lower support arm <input type="checkbox"/> 561 Support center <input type="checkbox"/> 362 Support center* <input type="checkbox"/> 363 Support center* <input type="checkbox"/> Performer support center <input type="checkbox"/> 200 support center (*Includes intermediate post)	V0195.0253			-
<input type="checkbox"/> Support link (for A-dec 500)		V0090.0001			77.1020.00
<input type="checkbox"/> Lower support arm (for A-dec 500)		V0091.0001			77.1029.00
<input type="checkbox"/> No touchpad function (A-dec 200 and Performer only)		V0409.0003			-
Central Cabinet Mounted					
<input type="checkbox"/> 374L Central cabinet mount LED light		V0195.0259			-
Wall/Side Cabinet Mounted					
<input type="checkbox"/> 375L Wall/side cabinet mount LED light	<input type="checkbox"/> Wall mount <input type="checkbox"/> 593/595	V0195.0260			-
Ceiling Mounted					
<input type="checkbox"/> 376L Ceiling mount LED light		V0195.0261			-
Ceiling height:	Length of post:				
<input type="checkbox"/> 8' (2,438 mm)	17" (432 mm)	V0089.0018			28.1810.00
<input type="checkbox"/> 8' 6" (2,591 mm)	23" (584 mm)	V0089.0020			28.1810.01
<input type="checkbox"/> 9' (2,743 mm)	29" (737 mm)	V0089.0019			28.1810.02
<input type="checkbox"/> 9' 6" (2,896 mm)	35" (889 mm)	V0089.0017			28.1810.03
<input type="checkbox"/> 10' (3,048 mm)	41" (1,041 mm)	V0089.0013			28.1810.04
<input type="checkbox"/> 10' 6" (3,200 mm)	47" (1,194 mm)	V0089.0012			28.1810.05
<input type="checkbox"/> 11' (3,353 mm)	53" (1,346 mm)	V0089.0014			28.1810.06
<input type="checkbox"/> 11' 6" (3,501 mm)	59" (1,499 mm)	V0089.0016			28.1810.07
<input type="checkbox"/> 12' (3,658 mm)	65" (1,651 mm)	V0089.0015			28.1810.08



Estimated shipping weight: 371L - 35 lb. (16 kg); 372L - 47 lb. (21 kg);
 Ceiling mount: 44 lb. (20 kg); Track mount: 54 lb. (25 kg)
 UPS shipping available

A-dec 300 LED Dental Light

A-DEC 300 LED DENTAL LIGHT CHOICES continued	MOUNTING	CONFIGURED PART NUMBER	PRICE	TOTAL	ITEM PART NUMBER
Track-Mounted					
<input type="checkbox"/> 377L Track-mount LED light		V0195.0262			-
Ceiling height	Length of post				
<input type="checkbox"/> 8' (2,438 mm)	15" (381 mm)	V0089.0018			28.1817.00
<input type="checkbox"/> 8' 6" (2,591 mm)	21" (533 mm)	V0089.0020			28.1817.01
<input type="checkbox"/> 9' (2,743 mm)	27" (686 mm)	V0089.0019			28.1817.02
<input type="checkbox"/> 9' 6" (2,896 mm)	33" (838 mm)	V0089.0017			28.1817.03
<input type="checkbox"/> 10' (3,048 mm)	39" (991 mm)	V0089.0013			28.1817.04
Subtotal				\$	
Quantity				x	
Grand Total				\$	



Estimated shipping weight: 371L - 35 lb. (16 kg); 372L - 47 lb. (21 kg);
 Ceiling mount: 44 lb. (20 kg); Track mount: 54 lb. (25 kg)
 UPS shipping available

Post-Mount Dental Lights



A-dec 500 LED Post-mount light

STANDARD FEATURES

- Post-mount light mounts to Cascade, Decade, Performer, and most existing pre-Cascade and non A-dec posts
- Light head includes 3-axis rotation: horizontal, vertical and diagonal adjustment
- Feathered-edge and uniform light pattern
- For optical specifications refer to page 103

A-DEC 500 LED POST-MOUNT LIGHT

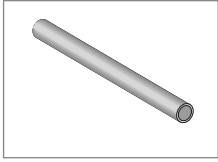
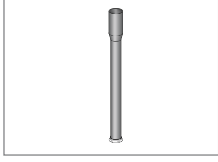
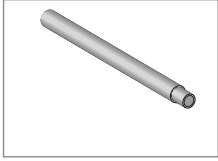

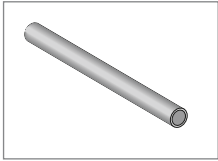
- 40,000 hour-rated, bright white LEDs
- Three intensity and one cure-safe setting
- Optically balanced LED array provides feathered-edge and uniform light pattern
- Touchpad or local control
- Auto On/Off functions with A-dec 511, 411 or 311 chair presets
- Includes power supply



Estimated shipping weight: 38 lb. (17 kg).
UPS shipping available

Post-Mount Dental Lights

POSTS FOR POST-MOUNT LIGHT

	<p>FOR A-DEC 361, 362, OR 363 SUPPORT CENTER 99.1136.00</p> <ul style="list-style-type: none"> • 2" (51 mm) OD x 32" (813 mm) • For installation on A-dec 361 support center 		<p>FOR PERFORMER CHAIR 28.1262.01</p> <ul style="list-style-type: none"> • 24.5" (622 mm) H • For installation on cuspidor or assistant's instrumentation: includes accessory power cord
	<p>FOR CASCADE POST BOX 28.1030.01</p> <ul style="list-style-type: none"> • 2" (51 mm) OD x 32" (813 mm) • A-dec post-mount lights to Cascade post box; includes necessary hardware 		<p>FOR PERFORMER CHAIR 28.1263.01</p> <ul style="list-style-type: none"> • 42.25" (1,073 mm) H x 17" (432 mm) W • For installation on Performer chair; with chair only
	<p>FOR PRE-CASCADE CHAIRS 28.1976.00</p> <ul style="list-style-type: none"> • 2" (51 mm) OD x 40" (1,016 mm) • Post for use with chair mount to mount A-dec post-mount lights to pre-Cascade chairs 		

POST-MOUNT LIGHT CHOICES	CONFIGURED PART NUMBER	PRICE	TOTAL	ITEM PART NUMBER
573L post-mount A-dec 500 LED light; specify post below <input type="checkbox"/> 100 volts <input type="checkbox"/> 120 volts <input type="checkbox"/> 240 volts	V0195.0196			-
Posts for Post-Mount Light				
<input type="checkbox"/> For A-dec 361, 362, or 363 support center	V0118.0010			99.1136.00
<input type="checkbox"/> For Cascade post box only	V0118.0002			28.1030.01
<input type="checkbox"/> For pre-Cascade chairs	V0118.0004			28.1976.00
<input type="checkbox"/> For Performer chair; (Mounts to cuspidor or assistant's instrumentation)	V0118.0005			28.1262.01
<input type="checkbox"/> For Performer chair; (Mounts to Performer chair only)	V0118.0003			28.1263.01
Subtotal			\$	
Quantity			x	
Grand Total			\$	

Dental Light Specifications

SPECIFICATION	A-DEC 500 LED LIGHT	A-DEC 300 LED LIGHT	A-DEC 200 HALOGEN LIGHT
Rotational axes	Horizontal, vertical, diagonal	Horizontal, vertical, diagonal	Horizontal, vertical, diagonal
Color temperature	5,000K	5,000K	4800K
Light pattern	3.8"x 5.7" at 27.6" focal distance (95 mm x 145 mm at 700 mm)	3.8"x 5.7" at 27.6" focal distance (95 mm x 145 mm at 700 mm)	4.3" x 9" at 27.6" focal distance (110 mm x 230 mm at 700 mm)
Light intensity	Low: 15,000 lux (1394 fc) Medium: 25,000 lux (2323 fc) High: 30,000 lux (2787 fc) Cure-safe Illumination: 23,000 lux (2137 fc) yellow light	Composite/low: 8,000 lux (743 fc) High: 25,000 lux (2323 fc)	Low: 5,500 lux (511 fc) High: 20,000 lux (1394 fc)
BTUs per hour	77	51	325
Power consumption	22W	15W	80W
Auto On/Off	Yes	Yes (with touchpad functionality)	Yes
Mode selection	Yes	Yes	Yes
Remote touchpad	Yes	Yes	Yes
Local control	Yes	Yes	Yes

Monitor Mounts



SECTION CONTENTS

Monitor Mounts	107
----------------------	-----

Monitor Mounts



586 ceiling monitor mount, floating



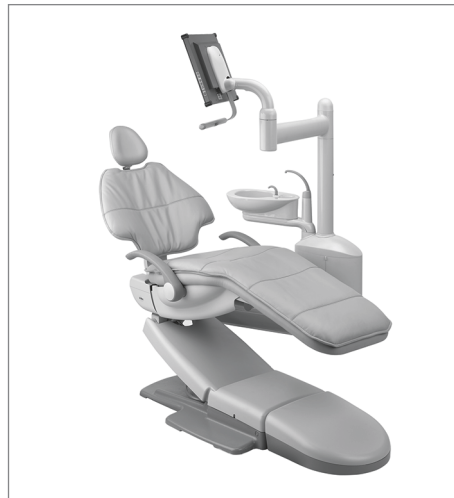
585 wall/side cabinet monitor mount, floating



584 central cabinet monitor mount, floating



382 Radius monitor mount, locking



581 support center monitor mount, floating



381 light post monitor mount, floating



482 light post monitor mount with arm, floating

SUPPORT ITEMS



Standard tray holder



Large tray holder



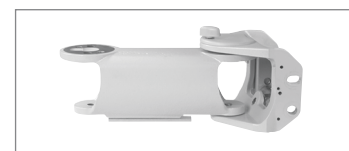
Intermediate post



Lower support arm



Handle



500 support link

Monitor Mounts

STANDARD FEATURES

- White color with gray accents
- Accommodates flat panel monitors up to 19" and up to 20lbs. (9kg)
- Tilt mechanism accommodates multiple viewing angles
- VESA mount compliant

Note: Monitor not included, medical grade monitor recommended.

581 MONITOR MOUNT

- Mounts to A-dec 561 support center
- Floating tilt mechanism for one-handed adjustment
- Mount rotation accommodates viewing from seated or supine positions
- Integrated cable management with cover
- Monitor arm rotates 430°
- Monitor mount tilts 0°-85°

381/482 MONITOR MOUNT

- Mounts to 362/363/372/571/571L/572/572L light post
- Integrated cable management with cover
- Includes power cable
- Includes HDMI video cable
- Floating tilt mechanism for one-handed adjustment
- 482 monitor mount includes arm for additional range of motion

Note: Not compatible with 571/571L for 561 support center or 500 lower support arm.

382 MONITOR MOUNT

- Mounts to A-dec 511, 411, or 311 dental chairs using a front mount arm
- Mount rotation accommodates viewing from seated positions
- Locking tilt mechanism for secure positioning
- Integrated cable management

584/585/586 OVERHEAD MONITOR MOUNT

- Mount positioning accommodates viewing for consultation/education, patient entertainment, and practice management
- Ceiling-mount monitor mounts to support structure from 9' to 10'6" (2,743mm to 3,200mm) in height
- Wall mount includes crystal colored backboard
- Floating tilt mechanism for one-handed adjustment
- Integrated cable management



Estimated shipping weights:

381 - 9 lb. (4kg), 382 - 27 lb. (12 kg), 482 - 11 lb. (5 kg), 581 - 15 lb. (7 kg),
584 - 59-62 lb. (27-28 kg), 585 - 64-66 lb. (29-30 kg), 586 - 35-49 lb. (16-22 kg)
UPS Shipping Available

Monitor Mounts

MONITOR MOUNT CHOICES	MOUNTING	CONFIGURED PART NUMBER	PRICE	TOTAL	ITEM PART NUMBER
Radius Chair Mounted					
<input type="checkbox"/> 382 Radius monitor mount, locking	<input type="checkbox"/> 511 <input type="checkbox"/> 411 <input type="checkbox"/> 311B	V0195.0081			-
<input type="checkbox"/> 511 mounting kit (For use without dual mount delivery)		-			77.1165.00
Support Center Mounted					
<input type="checkbox"/> 581 support center monitor mount, floating	<input type="checkbox"/> 561	V0195.0219			-
<input type="checkbox"/> Standard tray holder (Does not include tray)		V0070.0006			77.0350.01
<input type="checkbox"/> Large tray holder (Does not include tray)		V0070.0007			77.0351.01
<input type="checkbox"/> 500 support link		V0090.0001			77.1020.00
<input type="checkbox"/> Lower support arm		V0091.0001			77.1029.00
Light Post Mounted					
<input type="checkbox"/> 381 light post monitor mount, floating (See note on previous page for 571/571L compatibility)	<input type="checkbox"/> 571/571L <input type="checkbox"/> 572/572L <input type="checkbox"/> 372 <input type="checkbox"/> 362 <input type="checkbox"/> 363	V0195.0079			-
<input type="checkbox"/> 482 light post monitor mount with arm, floating (See note on previous page for 571/571L compatibility)	<input type="checkbox"/> 571/571L <input type="checkbox"/> 572/572L <input type="checkbox"/> 372 <input type="checkbox"/> 362 <input type="checkbox"/> 363	V0195.0094			-
<input type="checkbox"/> Intermediate post for support mount application (For use without light)	<input type="checkbox"/> 381 <input type="checkbox"/> 482	V0118.0008			28.1802.00
Non-Chair Mounted Monitor Mounts					
<input type="checkbox"/> 584 central cabinet monitor mount, floating		V0195.0221			-
<input type="checkbox"/> 585 wall/side cabinet monitor mount, floating	<input type="checkbox"/> Wall mount <input type="checkbox"/> 593/595	V0195.0222			-
<input type="checkbox"/> 586 ceiling monitor mount, floating		V0195.0223			-
Ceiling height:					
<input type="checkbox"/> 9' (2743mm)		V0089.0019			77.1203.00
<input type="checkbox"/> 9'6" (2896mm)		V0089.0017			77.1203.01
<input type="checkbox"/> 10' (3048mm)		V0089.0013			77.1203.02
<input type="checkbox"/> 10'6" (3200mm)		V0089.0012			77.1203.03
Monitor Mount Options					
<input type="checkbox"/> Monitor mount handle	<input type="checkbox"/> 381 <input type="checkbox"/> 382 <input type="checkbox"/> 482	V0300.0002			77.1308.00
Subtotal				\$	
Quantity				x	
Grand Total				\$	

Stools



SECTION CONTENTS

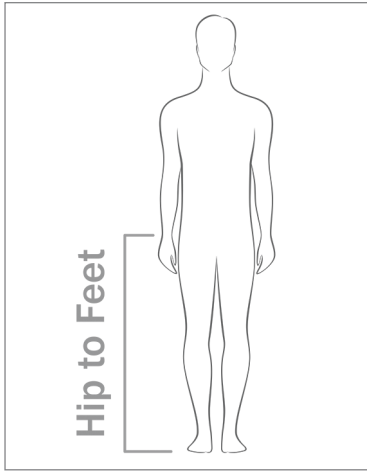
- 420 Doctor's and Assistant's Stools . 114
- 520 Doctor's and Assistant's Stools . 113

521 DOCTOR'S STOOL CHOICES



Armrests with:

- Height adjustment
- Width adjustment
- Fore/Aft adjustment
- Soft santoprene top surface



Cylinder height options:

To choose the right stool height, measure from hips to the feet

Above 34" (864 mm) - Choose tall cylinder
Under 34" (864 mm) - Choose short cylinder

522 ASSISTANT'S STOOL CHOICES



Backrest with:

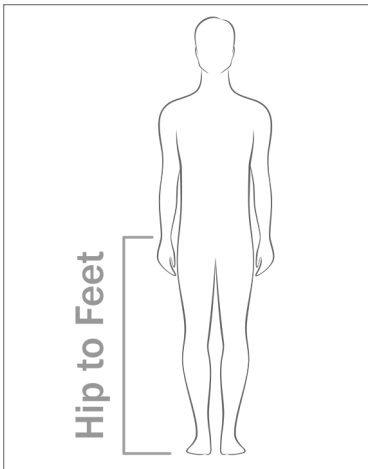
- Height adjustment
- Tilt adjustment
- Ultra-quiet pivot mechanism



Foot pedestal:

- Replaces foot ring to better distribute weight from the seat to the feet for an "athletic stance"

421 DOCTOR'S STOOL CHOICES



Cylinder height options:

To choose the right stool height, measure from hips to the feet.

Above 32" (813 mm) - Choose tall cylinder
Under 32" (813 mm) - Choose short cylinder

520 Doctor's and Assistant's Stools



521 doctor's stool

521 STANDARD FEATURES

- Dynamic seat armature for premium comfort and support
- Cylinder height options
 - Tall cylinder; seat armature height range 19.6" to 24.1" (498-612 mm) for customers with hip height above 34" (864 mm)*
 - Short cylinder; seat armature height range 16.4" to 21.7" (417-551 mm) for customers with hip height below 34" (864 mm)*
- Seating adjustments: seat tilt, backrest height, and backrest tilt
- Noise dampening, multiple-surface casters
- Sewn upholstery

NOTE: *The addition of armrests to a 521 raises the lowest position by 1"



522 assistant's stool with torso band

522 STANDARD FEATURES

- Dynamic seat armature for premium comfort and support
- Adjustable seat armature height range 23.1" to 28.7" (587-729 mm)
- Height adjustable foot ring
- Torso support with:
 - Height adjustment
 - Pivot adjustment
 - Soft santoprene top surface
- Noise dampening, multiple-surface casters
- Sewn upholstery

DOCTOR/ASSISTANT'S STOOL CHOICES	CONFIGURED PART NUMBER	PRICE	TOTAL	ITEM PART NUMBER
<input type="checkbox"/> 521 doctor's stool	V0195.0246			-
<input type="checkbox"/> Tall cylinder	V0032.0003			-
<input type="checkbox"/> Short cylinder	V0032.0004			-
<input type="checkbox"/> Armrests	V0083.0004			90.1508.00
<input type="checkbox"/> 522 assistant's stool	V0195.0247			-
<input type="checkbox"/> Backrest	V0474.0001			-
<input type="checkbox"/> Foot pedestal (replaces footring)	V0475.0001			90.1509.00
Subtotal			\$	
Quantity			x	
Grand Total			\$	

UPHOLSTERY COLOR CHOICES

Sewn

- | | | |
|--|----------------------------------|---------------------------------------|
| <input type="checkbox"/> Apricot | <input type="checkbox"/> Ebony | <input type="checkbox"/> Riviera |
| <input type="checkbox"/> Arctic | <input type="checkbox"/> Fuchsia | <input type="checkbox"/> Sable |
| <input type="checkbox"/> Butterfly | <input type="checkbox"/> Granite | <input type="checkbox"/> Sassy |
| <input type="checkbox"/> Campfire | <input type="checkbox"/> Lapis | <input type="checkbox"/> Sea Mist |
| <input type="checkbox"/> Cave | <input type="checkbox"/> Pacific | <input type="checkbox"/> Silver Pearl |
| <input type="checkbox"/> Chamois | <input type="checkbox"/> Papyrus | <input type="checkbox"/> Sky |
| <input type="checkbox"/> Charcoal | <input type="checkbox"/> Parrot | <input type="checkbox"/> Sorbet |
| <input type="checkbox"/> Curry | <input type="checkbox"/> Pecan | <input type="checkbox"/> Timberwolf |
| <input type="checkbox"/> Cyan | <input type="checkbox"/> Plum | <input type="checkbox"/> Vintage |
| <input type="checkbox"/> Diplomat Blue | <input type="checkbox"/> Red | <input type="checkbox"/> Violet |

Estimated shipping weight: 521 - 35 lb. (16 kg); 522 - 44 lb. (20 kg)
For UPS shipments contact A-dec for a quote

420 Doctor's and Assistant's Stools



421 doctor's stool

421 STANDARD FEATURES

- Cylinder height options
 - Tall cylinder; seat armature height range 19.5" to 25" (495-635mm) for customers with hip height above 32" (813 mm)
 - Short cylinder; seat armature height range 15.25" to 18.5" (387-470 mm) for customers with hip height below 32" (813 mm)
- Two motion modes:
 - Seat and back locked in place
 - Seat and back syncro free movement with 2:1 ratio
- Seating adjustments: seat tilt, backrest height and tilt
- Solid surface casters
- Choice of sewn or formed upholstery



422 assistant's stool with torso support

422 STANDARD FEATURES

- Unidirectional seat armature
- Adjustable seat armature height range 22.5" to 29" (572-737 mm)
- Height adjustable foot ring
- Torso support with:
 - Height adjustment
 - Pivot adjustment
 - Upholstered top surface
- Solid surface casters
- Choice of sewn or formed upholstery

DOCTOR/ASSISTANT'S STOOL CHOICES	CONFIGURED PART NUMBER	PRICE	TOTAL	ITEM PART NUMBER
<input type="checkbox"/> 421 doctor's stool	V0195.0244			-
<input type="checkbox"/> Tall cylinder	V0032.0003			-
<input type="checkbox"/> Short cylinder	V0032.0002			-
<input type="checkbox"/> 422 assistant's stool	V0195.0245			-
Subtotal			\$	
Quantity			x	
Grand Total			\$	

UPHOLSTERY COLOR CHOICES

Formed	Sewn		
<input type="checkbox"/> Amethyst	<input type="checkbox"/> Apricot	<input type="checkbox"/> Ebony	<input type="checkbox"/> Riviera
<input type="checkbox"/> Black	<input type="checkbox"/> Arctic	<input type="checkbox"/> Fuchsia	<input type="checkbox"/> Sable
<input type="checkbox"/> Driftwood	<input type="checkbox"/> Butterfly	<input type="checkbox"/> Granite	<input type="checkbox"/> Sassy
<input type="checkbox"/> Hazelnut	<input type="checkbox"/> Campfire	<input type="checkbox"/> Lapis	<input type="checkbox"/> Sea Mist
<input type="checkbox"/> Indigo	<input type="checkbox"/> Cave	<input type="checkbox"/> Pacific	<input type="checkbox"/> Silver Pearl
<input type="checkbox"/> Lemongrass	<input type="checkbox"/> Chamois	<input type="checkbox"/> Papyrus	<input type="checkbox"/> Sky
<input type="checkbox"/> Paprika	<input type="checkbox"/> Charcoal	<input type="checkbox"/> Parrot	<input type="checkbox"/> Sorbet
<input type="checkbox"/> Sapphire	<input type="checkbox"/> Curry	<input type="checkbox"/> Pecan	<input type="checkbox"/> Timberwolf
<input type="checkbox"/> Sky Blue	<input type="checkbox"/> Cyan	<input type="checkbox"/> Plum	<input type="checkbox"/> Vintage
<input type="checkbox"/> Tawny	<input type="checkbox"/> Diplomat Blue	<input type="checkbox"/> Red	<input type="checkbox"/> Violet

Estimated shipping weight: 421 - 35 lb. (16 kg); 422 - 44 lb. (20 kg)
UPS shipping available

Portables



SECTION CONTENTS

Pac 1 3420 Portable Systems	117
3460 Porta-Chair	119

Pac 1 3420 Delivery System



Pac 1 field unit



Pac 1 institutional unit



Pac 1 self-contained unit

STANDARD FEATURES

- Manual control system for two handpieces
- Four individual holders
- Oil collection system
- Autoclavable syringe
- Wet/dry foot control with 4.5' (1,372 mm) tubing
- Field repair kit
- Self-contained water system
- Anodized aluminum top
- Air filter regulator with moisture separator
- Washable tray holder pad
- Stainless steel instrument tray, 9.75" x 13.5" (248 mm x 343 mm)

FIELD UNIT ADDITIONAL FEATURES

- Steril-Vac assistant's instrumentation
- Adjustable height tripod
- Tool kit
- Carrying case 20" x 14.25" x 12.5" (508 mm x 362 mm x 318 mm)



NOTE: Field unit compressor requirements: ³/₄ HP (4 to 5 gal). Max pressure to 125 psi.

INSTITUTIONAL UNIT ADDITIONAL FEATURES

- Steril-Vac assistant's instrumentation
- Adjustable height mobile chrome U-frame



SELF-CONTAINED UNIT ADDITIONAL FEATURES

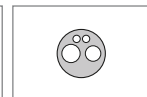
- Air saliva ejector with tubing and tip
- Fixed-height, powder-coated mobile stand
- Built-in Jun-Air compressor - .6 HP (1.4 gal, 5.4 liter) 120 or 240 VAC
- Duplex electrical outlet; 120 volts only

NOTE: This product does not have CE or UL certification.

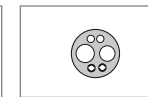
Tubing options:



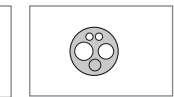
3-hole **E**



4-hole **E**



6-pin fiber-optic **E**



5-hole fiber-optic with bulb **E**

NOTE: The institutional unit and self-contained unit are not CE compliant and are unavailable in EU member states.

Estimated shipping weights - field unit and case - 35 lb. (16 kg); Institutional - 35 lb. (16 kg); Self-contained unit - 96 lb. (44 kg). UPS shipping available

Pac 1 3420 Delivery System

DELIVERY SYSTEM BASE CHOICES	CONFIGURED PART NUMBER	PRICE	TOTAL	ITEM PART NUMBER				
<input type="checkbox"/> PAC 1 3420 Field unit; see compressor requirements listed below (Field unit compressor requirements: 3/4 HP (4 to 5 gal). Max pressure to 125 psi)	V0195.0034			-				
<input type="checkbox"/> PAC 1 3420 institutional unit	V0195.0035			-				
<input type="checkbox"/> PAC 1 3420 self-contained unit	V0195.0036			-				
<input type="checkbox"/> Arm-mounted tray holder	V0070.0014			45.0445.00				
Foot Control Choices								
<input type="checkbox"/> Disc foot control (Wet/dry foot control)	V0041.0003			38.1890.00				
<input type="checkbox"/> Disc foot control (Wet/dry foot control with chip blower / accessory button)	V0041.0002			38.1889.00				
Foot control tubing length: <input type="checkbox"/> 4'6" <input type="checkbox"/> 7' <input type="checkbox"/> 9'	-			-				
<input type="checkbox"/> Tool kit for institutional and self-contained units	V0281.0002			45.0438.00				
<input type="checkbox"/> Carrying handles for self-contained unit	V0201.0002			45.0465.00				
<input type="checkbox"/> Additional mounting clip (for optional vac systems)	V0280.0002			45.0447.00				
<input type="checkbox"/> PAC 1 air SE with tubing and tip A (Replaces Steril-Vac on field and institutional units)	V0021.0001			12.0796.00				
<input type="checkbox"/> 1-pint glass container	V0022.0001			42.0572.00				
<input type="checkbox"/> 2-quart container for Steril-Vac A	V0022.0002			14.0010.00				
60-watt power supply								
<input type="checkbox"/> 120 VAC	V0060.0021			45.1268.00				
<input type="checkbox"/> 240 VAC	V0060.0020			-				
Delivery system base choices subtotal			\$					
DOCTOR'S CHOICES	HANDPIECE POSITIONS				CONFIGURED PART NUMBER	PRICE	TOTAL	ITEM PART NUMBER
	1	2	3 B	4				
<input type="checkbox"/> Intraoral light source, quad-voltage (Requires upgrade to auto control and 60-watt power supply)					V0086.0003			90.1359.00
<input type="checkbox"/> Auto control system for 2 handpieces; Century II control					V0019.0002			-
Air Driven Silicone Handpiece Tubing								
3-hole I	<input type="checkbox"/>	<input type="checkbox"/>	<input type="checkbox"/>		V0267.0017			98.1033.01
4-hole	<input type="checkbox"/>	<input type="checkbox"/>	<input type="checkbox"/>		V0267.0018			98.1034.01
6-pin K	<input type="checkbox"/>	<input type="checkbox"/>	<input type="checkbox"/>		V0267.0019			98.1036.01
5-hole fiber-optic with bulb K	<input type="checkbox"/>	<input type="checkbox"/>	<input type="checkbox"/>		V0267.0020			98.1035.01
Air Driven Vinyl Handpiece Tubing								
3-hole I	<input type="checkbox"/>	<input type="checkbox"/>	<input type="checkbox"/>		V0267.0029			98.1093.00
4-hole	<input type="checkbox"/>	<input type="checkbox"/>	<input type="checkbox"/>		V0267.0031			98.1094.00
6-pin K	<input type="checkbox"/>	<input type="checkbox"/>	<input type="checkbox"/>		V0267.0030			98.1096.00
5-hole fiber-optic with bulb K	<input type="checkbox"/>	<input type="checkbox"/>	<input type="checkbox"/>		V0267.0028			98.1095.00
<input type="checkbox"/> Doctor's QD syringe				<input type="checkbox"/>	V0267.0005			23.1303.00
<input type="checkbox"/> Additional control block position and holder					V0101.0004			38.0631.00
<input type="checkbox"/> Foot control tubing length								
<input type="checkbox"/> Foot control carrier, for institutional unit only A					V0144.0002			17.0807.02
<input type="checkbox"/> Additional single holder					V0283.0004			99.0584.00
<input type="checkbox"/> 750 ml bottle for self-contained water system A ; (Replaces all previous bottles)					V0116.0003			14.0416.00
Doctor's choices subtotal							\$	
Delivery system base choices subtotal							\$	
Subtotal of all sections							\$	
Quantity							x	
Grand Total							\$	

3460 Porta-Chair



3460 Porta-chair

STANDARD FEATURES

- Seating adjustments: chair height and backrest tilt (85° from horizontal position)
- Removable, U-shaped, adjustable headrest with Velcro®
- Height-adjustment crank
- Field-adjustable right or left operation
- Quick-disconnect (QD) toeboard
- Arm slings
- Powder-coat painted frame

PORTA-CHAIR	ITEM PART NUMBER	PRICE	TOTAL
Chair with driftwood Dauphine upholstery	45.1253.117		
<input type="checkbox"/> Chair bag 20" high, 10.5" wide, 43" long (508 mm x 267 mm x 1,092 mm)	45.0392.00		
Subtotal			\$
Quantity			x
Grand Total			\$

LEGEND

- A** = Price reflects retail price adjustment to change from standard to optional feature
- B** = Additional handpiece position required
- C** = Touchpad required
- D** = Deluxe touchpad required
- E** = Requires control block position
- F** = Requires controller space
- G** = Requires access to 25-watt power supply
- H** = Requires access to 300-watt power supply
- J** = Side exhausting Borden
- K** = Requires Intraoral Light Source



Estimated shipping weight: 3460 - 62 lb. (28 kg)

Accessories



SECTION CONTENTS

Chair

Chair Upholstery	123
Floor Boxes	124
Power Supplies	128

Delivery

Foot Controls	126
A-dec Relay Module and Intraoral Light Source	127
Autoclavable Syringes	130
Touchpads	131
Tray Holders and Trays	132
Tubing - Handpieces and Tooth Dryer	134
Vacuum Components	135
QD Kits and Cascade Cuspidor	137
Handpiece Holders and Whip Assemblies	138

Accessories – Upholstery

Please have chair serial number information available for replacement upholstery.

For replacement custom or special sewn upholstery for A-dec chairs, contact Customer Service. UPS shipping available.

View the latest information on upholstery, laminate, and solid surface colors by visiting A-dec's virtual operator color tool Inspire Me on a-dec.com. You will find color previews and part numbers for sewn and formed upholstery as well as laminates, solid surface, and quartz offerings. Experiment with creating a room with various colors of upholstery, cabinetry, and countertops. Once you have finished exploring, you can even order color samples.

Sewn

- | | | |
|--|----------------------------------|---------------------------------------|
| <input type="checkbox"/> Apricot | <input type="checkbox"/> Ebony | <input type="checkbox"/> Riviera |
| <input type="checkbox"/> Arctic | <input type="checkbox"/> Fuchsia | <input type="checkbox"/> Sable |
| <input type="checkbox"/> Butterfly | <input type="checkbox"/> Granite | <input type="checkbox"/> Sassy |
| <input type="checkbox"/> Campfire | <input type="checkbox"/> Lapis | <input type="checkbox"/> Sea Mist |
| <input type="checkbox"/> Cave | <input type="checkbox"/> Pacific | <input type="checkbox"/> Silver Pearl |
| <input type="checkbox"/> Chamois | <input type="checkbox"/> Papyrus | <input type="checkbox"/> Sky |
| <input type="checkbox"/> Charcoal | <input type="checkbox"/> Parrot | <input type="checkbox"/> Sorbet |
| <input type="checkbox"/> Curry | <input type="checkbox"/> Pecan | <input type="checkbox"/> Timberwolf |
| <input type="checkbox"/> Cyan | <input type="checkbox"/> Plum | <input type="checkbox"/> Vintage |
| <input type="checkbox"/> Diplomat Blue | <input type="checkbox"/> Red | <input type="checkbox"/> Violet |

Formed

- | | | |
|------------------------------------|-------------------------------------|-----------------------------------|
| <input type="checkbox"/> Amethyst | <input type="checkbox"/> Indigo | <input type="checkbox"/> Sky Blue |
| <input type="checkbox"/> Black | <input type="checkbox"/> Lemongrass | <input type="checkbox"/> Tawny |
| <input type="checkbox"/> Driftwood | <input type="checkbox"/> Paprika | |
| <input type="checkbox"/> Hazelnut | <input type="checkbox"/> Sapphire | |

A-dec 200 only Formed

- | | | |
|-----------------------------------|-------------------------------------|-----------------------------------|
| <input type="checkbox"/> Amethyst | <input type="checkbox"/> Lemongrass | <input type="checkbox"/> Sky Blue |
| <input type="checkbox"/> Black | <input type="checkbox"/> Paprika | <input type="checkbox"/> Tawny |
| <input type="checkbox"/> Indigo | <input type="checkbox"/> Sapphire | |

Replacement upholstery sets:
Sets include headrest cushion, back, seat, toeboard cover and armrest where applicable.

PRODUCT DESCRIPTION	CONFIGURED PART NUMBER	PRICE
A-dec 511		
<input type="checkbox"/> Sewn	VC0463.0011	
<input type="checkbox"/> Formed	VC0463.0010	
<input type="checkbox"/> Surf	VC0009.0001	
<input type="checkbox"/> White	VC0009.0002	
A-dec 411		
<input type="checkbox"/> Sewn	VC0463.0007	
<input type="checkbox"/> Formed	VC0463.0200	
<input type="checkbox"/> For knob-style headrest	VC0035.0002	
<input type="checkbox"/> For lever-style headrest	VC0035.0001	
A-dec 311 version B		
<input type="checkbox"/> Sewn (Includes dual-articulating headrest cushion)	VC0463.0167	
<input type="checkbox"/> Formed (Includes dual-articulating headrest cushion)	VC0463.0166	
A-dec 311 version A		
<input type="checkbox"/> Sewn	VC0463.0205	
<input type="checkbox"/> Formed	VC0463.0198	
<input type="checkbox"/> For dual-articulating headrest	VC0035.0004	
<input type="checkbox"/> For adjustable neck support (Not allowed on 311A sewn)	VC0035.0005	
Performer III		
<input type="checkbox"/> Formed	VC0075.0014	
<input type="checkbox"/> Narrow back style	VC0013.0002	
<input type="checkbox"/> Contoured back style	VC0013.0001	
Cascade/Decade/Decade Plus		
<input type="checkbox"/> Cascade 1040 sewn	VC0463.0024	
<input type="checkbox"/> Cascade 1040 formed	VC0463.0192	
<input type="checkbox"/> Decade 1021/1011 formed	VC0463.0189	
<input type="checkbox"/> Decade Plus 1221 sewn	VC0463.0027	
<input type="checkbox"/> Decade Plus 1221 formed	VC0463.0195	
A-dec 200 (see color options above)		
<input type="checkbox"/> Formed	-	

PRODUCT DESCRIPTION	CONFIGURED PART NUMBER	PRICE
Doctor's Stools		
<input type="checkbox"/> 521 doctor's upholstery set, sewn	VC0463.0225	
<input type="checkbox"/> 521 seat upholstery, sewn	VC0463.0219	
<input type="checkbox"/> 521 back upholstery, sewn	VC0463.0211	
<input type="checkbox"/> 421 doctor's upholstery set, sewn (Previously 1601 Contoured)	VC0463.0227	
<input type="checkbox"/> 421 doctor's upholstery set, formed (Previously 1601 Contoured)	VC0463.0227	
<input type="checkbox"/> 200 doctor's upholstery set, formed	VC0463.0210	
<input type="checkbox"/> 200 seat upholstery, formed	VC0463.0207	
<input type="checkbox"/> 200 back upholstery, formed	VC0463.0206	
Assistant's Stools		
<input type="checkbox"/> 522 assistant's seat upholstery, sewn	VC0463.0220	
<input type="checkbox"/> 522 assistant's back upholstery, sewn	VC0463.0212	
<input type="checkbox"/> 422 assistant's upholstery set, sewn (Previously 1622 Contoured round)	VC0463.0230	
<input type="checkbox"/> 422 assistant's upholstery set, formed (Previously 1622 Contoured round)	VC0463.0230	

PRODUCT DESCRIPTION	ITEM PART NUMBER	PRICE
Headrest Mechanisms		
<input type="checkbox"/> Lever-style (White)	90.1091.01	
<input type="checkbox"/> Lever-style (Surf)	90.1091.00	
<input type="checkbox"/> Knob-style 311B/411	62.0853.00	
<input type="checkbox"/> Knob-style 311A	62.0631.00	
<input type="checkbox"/> Cascade/Decade/Performer/ A-dec 200 (White)	61.2265.01	

Accessories – Floor Boxes

A-DEC 511/411/311 VERSION B FLOOR BOX



- White 2 cover
- Cast frame
- Does not include umbilical or utilities
- 17" x 16.5" (432 mm x 419 mm)
- With outer convolute umbilical cover

PRODUCT DESCRIPTION	PART NUMBER	PRICE
Floor box and cover	41.1506.01	
Floor box frame only	41.1467.01	
Cover only, White 2	41.1464.02	
Master toggle kit	90.1088.01	
Air filter/regulator	24.0475.00	
Water filter/regulator	24.0474.00	
22" outer convolute umbilical cover	024.246.01	

A-DEC 311 VERSION B FLOOR BOX



- White 2 cover
- Cast frame
- Frame includes cutouts for routing umbilical to A-dec 363 support center
- Does not include umbilical or utilities
- 17" x 16.5" (432 mm x 419 mm)
- With outer convolute umbilical cover

PRODUCT DESCRIPTION	PART NUMBER	PRICE
Floor box and cover	41.1540.00	
Cover only, White 2	41.1464.02	

CASCADE CONTOURED FLOOR BOX



- Surf 4 cover
- Cast frame
- Does not include umbilical or utilities
- 14.5" x 17" (368 mm x 432 mm)

PRODUCT DESCRIPTION	PART NUMBER	PRICE
Cascade contoured floor box frame and cover	41.1457.00	
Floor box frame only	41.0417.00	
Cover only, Surf 4	41.0416.00	

A-DEC 500 REMOTE STAINLESS STEEL FLOOR BOX



- Gray 3 cover
- Includes 7' (2,134 mm) umbilical
- Use with non-chair mounted delivery system
- 5.5" x 14.5" x 17" (140 mm x 368 mm x 432 mm)
- Includes mounting hardware
- Includes stainless steel frame and cover

PRODUCT DESCRIPTION	PART NUMBER	PRICE
541/545 Remote stainless steel floor box kit	41.1490.01	
542 Remote stainless steel floor box kit	41.1491.01	
Large floor box frame and cover	41.1456.01	
Floor box frame only	41.1507.00	
Cover only, Gray 3	41.0413.01	
Air filter/regulator	24.0475.00	
Water filter/regulator	24.0474.00	

A-DEC 300 REMOTE FLOOR BOX



- Gray 3 cover
- Includes 3' (914 mm) umbilical
- Hole plugs
- Mounting hardware
- 5.5" x 14.5" x 17" (140 mm x 368 mm x 432 mm)

PRODUCT DESCRIPTION	PART NUMBER	PRICE
Remote stainless steel floor box and cover	77.1019.00	
Floor box frame only	41.1507.00	
Cover only, Gray 3	41.0413.01	

Accessories – Floor Boxes

LARGE STAINLESS STEEL FLOOR BOX



- Surf 4 cover
- Does not include umbilical or utilities
- 5.5" x 14.5" x 17" (140 mm x 368 mm x 432 mm)

PRODUCT DESCRIPTION	PART NUMBER	PRICE
Large stainless steel floor box frame and cover	41.1456.00	
Floor box frame only	41.0414.00	
Cover only, Surf 4	41.0413.00	

MEDIUM STAINLESS STEEL FLOOR BOX



- Surf 4 cover
- Does not include umbilical or utilities
- Includes mounting hardware
- 5.5" x 9" x 14" (140 mm x 229 mm x 356 mm)

PRODUCT DESCRIPTION	PART NUMBER	PRICE
Medium stainless steel floor box frame and cover	41.1455.00	
Floor box frame only, with plugs	41.0408.00	
Cover only, Surf 4	41.0407.00	

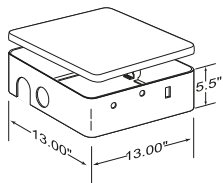
SMALL STAINLESS STEEL FLOOR BOX



- Surf 4 cover
- Does not include umbilical or utilities
- Includes mounting hardware
- 4.5" x 7" x 8" (114 mm x 178 mm x 203 mm)

PRODUCT DESCRIPTION	PART NUMBER	PRICE
Small stainless steel floor box frame and cover	41.0034.00	

PERFORMER STAINLESS STEEL FLOOR BOX



- Surf 4 cover
- Does not include umbilical or utilities
- 5.5" x 13" x 13" (140 mm x 330 mm x 330 mm)

PRODUCT DESCRIPTION	PART NUMBER	PRICE
Floor box frame only	41.1317.00	
Cover only, Surf 4	41.0016.02	
Indicator light assembly	041.582.00	

CASCADE STAINLESS STEEL RECESSED FLOOR BOX



- Surf 4 cover
- Does not include umbilical or utilities
- 6.5" x 14.5" x 18" (165 mm x 368 mm x 457 mm)

PRODUCT DESCRIPTION	PART NUMBER	PRICE
Recessed floor box frame and cover	41.1458.00	

MOUNTING KIT

For use with:

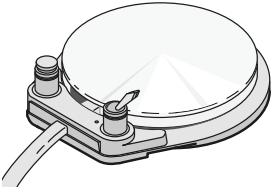
- Stainless steel floor boxes
- Cascade contoured floor box

PRODUCT DESCRIPTION	PART NUMBER	PRICE
Mounting kit, Gray 3	41.1454.01	
Mounting kit, Surf 4	41.1454.00	

Accessories – Foot Controls

WET/DRY FOOT CONTROL

with chip blower/accessory button and wet/dry toggle

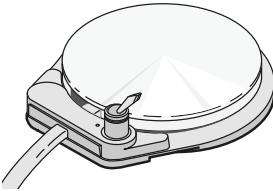


- Modulates variable speed operation with foot pressure applied in any position
- Wet/dry toggle operates on/off control for coolant water
- Chip blower for use with air turbine, electric handpiece, A-dec camera, as well as ultrasonic instruments

PRODUCT DESCRIPTION	PART NUMBER GRAY 3	PRICE
A-dec 532/533 foot control, 5' (1,524 mm)	38.1829.00	
A-dec 541/542 foot control, 16' (4,876 mm)	38.1829.01	
A-dec 332/333 foot control, 5' (1,524 mm)	38.1862.00	
A-dec 334/335 foot control, 9' (2,743 mm)	38.1838.00	
Cascade/Radius foot control, 7' (2,134 mm)	38.1889.00	

WET/DRY FOOT CONTROL

with wet/dry toggle



- Modulates variable speed operation with foot pressure applied in any position
- Wet/dry toggle operates on/off control for coolant water
- Use for both the air turbine or electric handpiece

PRODUCT DESCRIPTION	PART NUMBER GRAY 3	PRICE
A-dec 332/333 foot control, 5' (1,524 mm)	38.1834.00	
A-dec 334/335 foot control, 9' (2,743 mm)	38.1821.00	
Cascade/Radius foot control, 7' (2,134 mm)	38.1890.00	

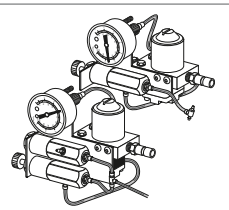
LEVER FOOT CONTROL

wet/dry foot control with chip blower/accessory button



- Superior speed modulation with side to side movement
- Intuitive, eyes free, wet/dry operation
- Ergonomic foot placement during operation

PRODUCT DESCRIPTION	PART NUMBER GRAY 3	PRICE
Lever foot control, 5' (1,524 mm)	38.1871.00	
Lever foot control, 7' (2,134 mm)	38.1871.01	
Lever foot control, 9' (2,743 mm)	38.1871.02	
Lever foot control, 16' (4,877 mm)	38.1871.03	
A-dec 300 chip blower kit	90.1546.00	



UNIVERSAL AIR AND WATER FILTER REGULATOR UTILITY KIT

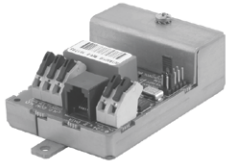
- Includes air filter/regulator, water filter/regulator, filter screen kit, filters, and necessary hardware

PRODUCT DESCRIPTION	PART NUMBER	PRICE
Universal utility kit	24.0471.00	

Accessories – Electrical

A-dec Relay Module, Intraoral Light Source, and Data Cables

A-DEC RELAY MODULE



The A-dec relay module allows flexibility in turning on and off electrical devices within the treatment room or building from one of the touchpads. The A-dec relay module can be for items such as, non A-dec lighting or equipment. This module functions with both the standard and deluxe touchpads. It operates similar to an air-electric switch but uses electrical signals from the data communication system instead of air signals.

A-dec recommends installation of the A-dec relay module be performed by a certified electrical technician

PRODUCT DESCRIPTION

PART NUMBER

PRICE

A-dec relay module

90.1080.00

QUAD VOLTAGE INTRAORAL LIGHT SOURCE



- Fiber-optic intraoral light source
- Requires fiber-optic handpiece tubing, 24vac
- All IOLS come equipped to light (2) handpieces
- A-dec 300 kit equipped to light (4) handpieces
- To add additional handpieces order the QVIOLS switch kit

PRODUCT DESCRIPTION

PART NUMBER

PRICE

Quad Volt IOLS kit for A-dec 300
(Equipped to light (4) handpieces)

90.1168.00

Quad Volt IOLS kit for 3420/2561

90.1359.00

Quad Volt IOLS kit for 4631

90.1360.00

QVIOLS switch kit

90.1382.00

A-DEC 500 AND 300 DATA CABLES AND DATA BOARD

PART NUMBER

PRICE

6 Pos, 1.5' (457 mm)

041.637.00

6 Pos, 3.5' (1,029 mm)

041.637.06

6 Pos, 7' (2,134 mm)

041.637.04

6 Pos, 8.5' (2,589 mm)

041.637.05

6 Pos, 13' (4,010 mm)

041.637.02

6 Pos, 25' (7,614 mm)

041.555.00

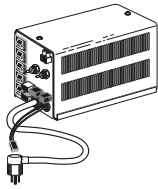
Kit, 25' data cable and 2 adapters

041.554.00

Accessories – Electrical

Power Supplies

300-WATT POWER SUPPLY



- Required for intraoral camera and electric motors
- Provides power for multiple electrical accessories such as fiber-optics, low voltage water heater/heated syringe tubing, dental light, ultrasonic instrument, and curing light.
- Size – Fits the large, contoured, and recessed floor boxes
- QD Connectors
- Maintenance – Uses resettable circuit breakers rather than fuses

PRODUCT DESCRIPTION

PART NUMBER

PRICE

A-dec 500 Chair Power Supplies

511 300 watt, 100VAC
511 300 watt, 110-120V
511 300 watt, 220-240V

90.1073.00
90.1074.00
90.1075.00

A-dec 300, 400 Chair Power Supplies

300 watt, 110-120V
300 watt, 220-240V

90.1179.00
90.1180.00

Cascade/Decade Chair, 2561, 2562, 2671, 3072 Power Supplies

Cascade 300 watt, 110-120V
Cascade 300 watt, 240V

28.1435.00
28.1436.00

Cable adapter kit

(used to retrofit from 300 watt power supply manufactured before June 1998)

90.1012.00

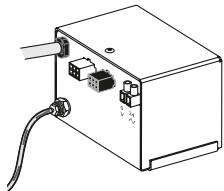
A-dec 362, 541, 542, 545, and 570/570L Power Supplies

300 watt, 100VAC
300 watt, 110-120V
300 watt, 220-240V

43.0259.00
43.0260.00
43.0261.00

NOTE: When purchasing a power supply, consider both present and future electrical accessories. Buying a 300 watt power supply now will make it economical to add electrical accessories in the future.

25-WATT POWER SUPPLY



- Provides power to A-dec's intraoral light source
- Includes air-electric switch, indicator light, 6-pin and 2-connector, and 2-position terminal strip
- Output is rated 24 VAC 1 Amp
- Output is protected against short-circuit and overload conditions with automatically resetting thermostat

PRODUCT DESCRIPTION

PART NUMBER

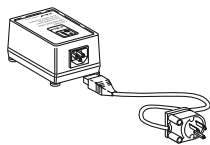
PRICE

4631, 545, 2671 Power Supplies

25 watt, 100V, kit
25 watt, 110-120V, kit
25 watt, 220-240V, kit

28.1479.00
28.1480.00
28.1481.00

60-WATT POWER SUPPLY



- Provides power to A-dec's intraoral light source

PRODUCT DESCRIPTION

PART NUMBER

PRICE

60 watt, 110V-240V

45.1268.00

Accessories – Electrical

Power Supply Cables

REMOTE POWER SUPPLY CABLES

Power supply cables are required if you are connecting a delivery system (A-dec 541, 542) or assistant's instrumentation (A-dec 545) to a remote power supply

Ordering Cables



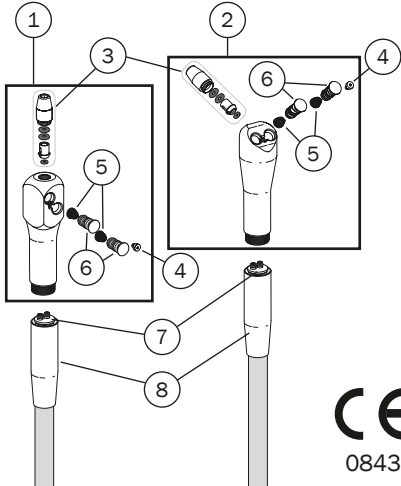
- Refer to the table below to determine your cable needs
- See the ordering information table for cable descriptions and prices

POWER SUPPLY LOCATION	DELIVERY SYSTEM/ASSISTANT'S INSTRUMENTATION			
	541	542	545	545 WITH 542
300-watt, 511 chair	77.0707.00	77.1239.00	77.0708.00	(1) 77.0708.00 (1) 77.1239.00
300-watt, 311 or 411 chair	77.0980.00	77.1240.00	77.0981.00	(1) 77.0981.00 (1) 77.1240.00
300-watt, remote	(1) 43.0328.01 (1) 43.0093.00	43.0329.00	43.0095.00	(1) 43.0329.00 (1) 43.0093.00
1/8" Air line extension kit (25' [7,620 mm])	90.1129.00			

ORDERING INFORMATION / PRODUCT DESCRIPTION	PART NUMBER	PRICE
Cable, 15' (4,572 mm); 6-pin to 6-pin; assistant's	43.0093.00	
Cable, 15' (4,572 mm); 6-pin to 4-pin; assistant's	43.0095.00	
Cable, 15' (4,572 mm); 4-pin to 4-pin; Delivery	43.0328.01	
Cable, 15' (4,572 mm); 6-pin to 6-pin; Delivery	43.0329.00	
545 to 511 Power cable kit	77.0708.00	
545 to 311/411 Power cable kit	77.0981.00	
542 to 511 Power cable kit	77.1239.00	
542 to 311/411 Power cable kit	77.1240.00	
541 to 511 Power cable kit	77.0707.00	
541 to 311/411 Power cable kit	77.0980.00	

Accessories - Syringes

AUTOCLAVABLE SYRINGE ASSEMBLIES



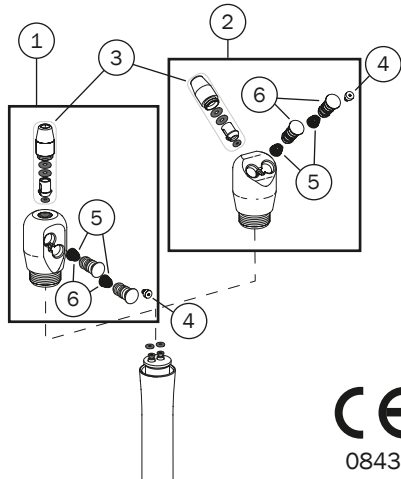
REF	DESCRIPTION	PART NUMBER	PRICE
1	Continental syringe head assembly	23.1096.00	
2	Traditional syringe head assembly	23.1011.00	
3	Syringe nut assembly, non-locking	23.1112.00	
	Syringe nut assembly, locking	23.1090.00	
4	Syringe button screw, 2-56 (5)	23.1193.01	
5	Conical compression spring (10)	013.064.01	
6	Button valve assembly (2)	23.1232.01	
7	Terminal barb assembly	23.1110.00	
	Terminal barb assembly, 2 barb, QD	23.1067.00	
8	Syringe handle, autoclavable	23.1015.00	

AUTOCLAVABLE SYRINGE FULL ASSEMBLIES

- Includes syringe head, tubing, terminal barb assembly, and flow control clamp

PRODUCT DESCRIPTION	PART NUMBER	PRICE
Traditional		
Traditional syringe assembly, 7' (2,134 mm)	23.1302.00	
Traditional syringe assembly, 12' (3,657 mm)	23.1311.00	
Traditional syringe assembly, with QD terminal barb assembly, 7' (2,134 mm)	23.1303.00	
Traditional syringe assembly, with QD terminal barb assembly, 11' (3,353 mm)	23.1362.00	
Continental		
Continental syringe assembly, with QD terminal barb assembly, 7' (2,134 mm)	23.1305.00	

AUTOCLAVABLE WARM WATER SYRINGE ASSEMBLIES FOR A-DEC 300 AND A-DEC 500



REF	DESCRIPTION	PART NUMBER	PRICE
1	Continental syringe head assembly, small	23.1277.00	
2	Traditional syringe head assembly, small	23.1278.00	
3	Syringe nut assembly, non-locking	23.1112.00	
	Syringe nut assembly, locking	23.1090.00	
4	Syringe button screw, 2-56 (5)	23.1193.01	
5	Conical compression spring (10)	013.064.01	
6	Button valve assembly (2)	23.1232.01	
	Printed circuit board (Includes mounting hardware)	23.1314.00	
	Printed circuit board for A-dec 545 (Includes mounting hardware)	23.1314.01	

WARM WATER SYRINGE FULL ASSEMBLIES

- Includes syringe head, tubing, terminal barb assembly, warm water circuit board, and mounting hardware

PRODUCT DESCRIPTION	PART NUMBER	PRICE
Traditional		
Traditional syringe assembly, 84" tubing with 56" sheath For use with 532, 542, 332, 334, 336	23.1290.01	
Traditional syringe assembly, 84" tubing with 62" sheath For use with 352, 353, 541, 545	23.1294.01	
Traditional syringe assembly, 120" tubing with 56" sheath For use with 551	23.1306.01	
Continental		
Continental syringe assembly, 84" tubing with 56" sheath	23.1291.01	

Accessories – Touchpads



A-dec 500 standard touchpad



A-dec 500 deluxe touchpad



A-dec 300 standard touchpad



A-dec 300 deluxe touchpad

A-DEC 500 TOUCHPAD UPGRADE KITS

- For use with A-dec 500 delivery systems only
- Replace an existing touchpad
- Add a new touchpad

PRODUCT DESCRIPTION	PART NUMBER WHITE	PRICE
Standard touchpad, 542	77.0297.01	
Standard doctor's touchpad, 541	90.1127.01	
Standard assistant's touchpad, 541/545	90.1128.01	
Standard touchpad cover and PCB only	90.1078.01	
Deluxe touchpad upgrade kit, 532/533/542	90.1133.01	
Deluxe touchpad upgrade kit, 541	90.1134.01	
Deluxe touchpad cover and PCB only	90.1135.01	

A-DEC 300 TOUCHPADS

- For use with A-dec 300 delivery systems only
- Replace an existing touchpad
- Add a new touchpad

PRODUCT DESCRIPTION	PART NUMBER	PRICE
Full Assembly		
Standard touchpad kit, 332/333/334/335/336	90.1196.00	
Deluxe touchpad kit, 332/333/334/335/336	90.1197.00	
Standard touchpad kit, 352/353	90.1184.00	
Cover and PCB Only		
Standard touchpad kit, 332/333/334/335/336/352/353	90.1078.01	
Deluxe touchpad kit, 332/333/334/335/336	90.1185.00	

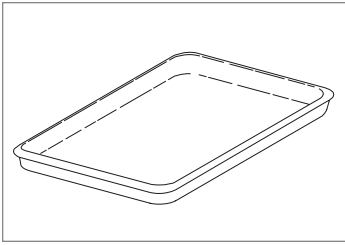


REMOTE TOUCHPAD KIT

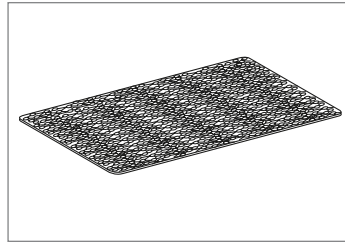
- For use with A-dec 300, 400, and 500 systems
- White 2
- Includes touchpad, mounting bracket, 25' data and electrical cables, and cable management hardware

PRODUCT DESCRIPTION	PART NUMBER	PRICE
Remote standard touchpad kit, 311, 411, 511	90.1495.00	

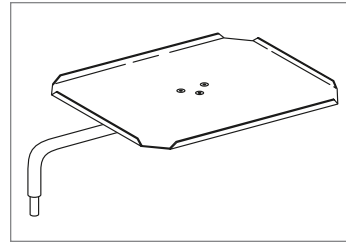
Accessories – Trays



Stainless Steel Instrument Tray



Washable Tray Pad



17.1047.00

STAINLESS STEEL TRAYS	PART NUMBER	PRICE
Stainless steel tray, standard 9.5" x 13.5" (241 mm x 343 mm)	043.001.00	
Stainless steel tray, large 11.5" x 17" (292 mm x 432 mm)	043.006.00	

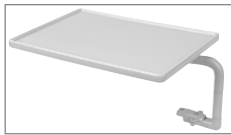
WASHABLE TRAY PAD		
<ul style="list-style-type: none"> Firmly holds stainless instrument tray to flat surface Size: 6" x 11.5" (152 mm x 292 mm) 		
PRODUCT DESCRIPTION	PART NUMBER	PRICE
Washable tray pad, pkg of 5	39.0790.02	

TRAY HOLDERS		
<ul style="list-style-type: none"> Arm-mounted rotating tray holder 		
PRODUCT DESCRIPTION	PART NUMBER	PRICE
For Cascade 3171, 3175, 4631, 4635, 2615, 2671, 318 19.5" x 12.5" (241 mm x 318 mm)	17.1047.00	

Accessories – Trays



Traditional standard tray holder (for A-dec 532/542)



Traditional large tray holder (for A-dec 532/542)



Standard tray holder (for A-dec 541/545)



Large tray holder (for A-dec 541/545)



Standard tray holder (for A-dec 581)



Large tray holder (for A-dec 581)



Continental standard tray holder (for A-dec 533)



Continental large tray holder (for A-dec 533)



Continental standard tray holder (for A-dec 300)



Continental large tray holder (for A-dec 300)



Traditional standard tray holder (for A-dec 300)



Traditional large tray holder (for A-dec 300)

A-DEC 532/542 TRADITIONAL TRAY HOLDERS

- Arm-mounted rotating tray holder
- For use with A-dec 532 traditional, and A-dec 542 side delivery systems

PRODUCT DESCRIPTION	PART NUMBER WHITE	PRICE
Standard tray holder 10.3" x 14.3" (262 mm x 363 mm)	77.1024.00	
Large tray holder 12.5" x 17.3" (318 mm x 439 mm)	77.1023.00	

A-DEC 581 TRAY HOLDERS

- Arm-mounted rotating tray holder
- For use with 581 monitor mount

PRODUCT DESCRIPTION	PART NUMBER WHITE	PRICE
Standard tray holder (For A-dec 581 monitor mount) 10.3" x 14.3" (262 mm x 363 mm)	77.0350.01	
Large tray holder (For A-dec 581 monitor mount) 12.5" x 17.3" (318 mm x 439 mm)	77.0351.01	

A-DEC 541/545 TRAY HOLDERS

- Arm-mounted rotating tray holder
- For use with A-dec 541 duo delivery system and 545 assistant's instrumentation

PRODUCT DESCRIPTION	PART NUMBER WHITE	PRICE
Standard tray holder 9.35" x 12.66" (238 mm x 322 mm)	77.0462.01	
Large tray holder 12.5" x 17.3" (318 mm x 439 mm)	77.0543.01	

A-DEC 300 TRADITIONAL TRAY HOLDERS

- Arm-mounted rotating tray holder
- For use with A-dec 332, 334, and 336 Traditional delivery system

PRODUCT DESCRIPTION	PART NUMBER	PRICE
Standard tray holder – 10.3" x 14.3" (262 mm x 363 mm)	77.0933.00	
Large tray holder – 12.5" x 17.3" (318 mm x 439 mm)	77.0932.00	

A-DEC 533 CONTINENTAL TRAY HOLDERS

- Arm-mounted rotating tray holder
- For use with A-dec 533 Continental delivery system

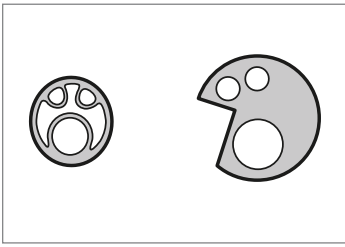
PRODUCT DESCRIPTION	PART NUMBER WHITE	PRICE
Standard tray holder 10.3" x 14.3" (262 mm x 363 mm)	77.1024.01	
Large tray holder 12.5" x 17.3" (318 mm x 439 mm)	77.1023.01	

A-DEC 300 CONTINENTAL TRAY HOLDERS

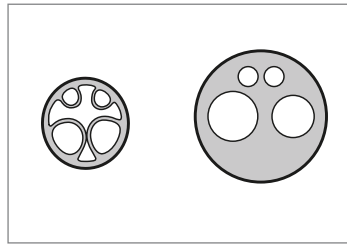
- Arm-mounted rotating tray holder
- For use with A-dec 333 and 335 Continental delivery system

PRODUCT DESCRIPTION	PART NUMBER	PRICE
Standard tray holder – 10.3" x 14.3" (262 mm x 363 mm)	77.0942.00	
Large tray holder – 12.5" x 17.3" (318 mm x 439 mm)	77.0943.00	

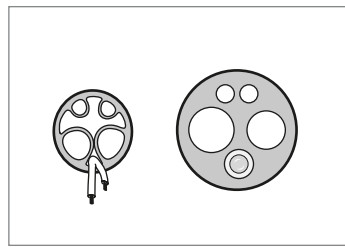
Accessories – Tubing



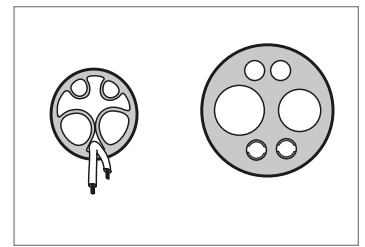
3-hole tubing with Borden terminal



4-hole tubing



Fiber-optic with bulb tubing

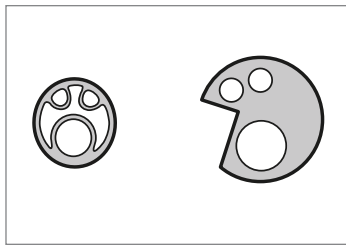


6-pin fiber-optic tubing

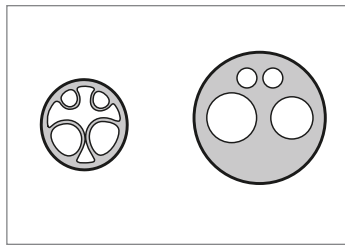
GRAY3 SILICONE TUBING (A-DEC 500 AND A-DEC 300)

- Quick-connect style tubing
- 61" (1,549 mm) for use with A-dec 532/533/542 and A-dec 332/333/334/335/336
- 81" (2,057 mm) for use with A-dec 541

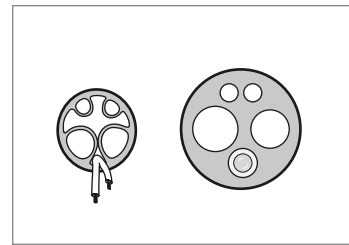
PRODUCT DESCRIPTION	TUBING LENGTH	PART NUMBER	PRICE
3-hole tubing*	61" (1,549 mm)	98.1086.00	
3-hole tubing*	81" (2,057 mm)	98.1109.00	
4-hole tubing	61" (1,549 mm)	98.1087.00	
4-hole tubing	81" (2,057 mm)	98.1106.00	
6-pin fiber-optic	61" (1,549 mm)	98.1089.00	
6-pin fiber-optic	81" (2,057 mm)	98.1108.00	
Fiber-optic with bulb	61" (1,549 mm)	98.1088.00	
Fiber-optic with bulb	81" (2,057 mm)	98.1107.00	



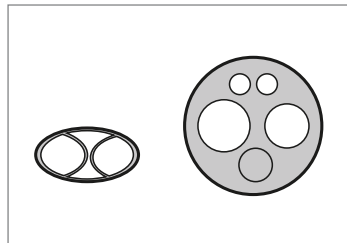
3-hole tubing with Borden terminal



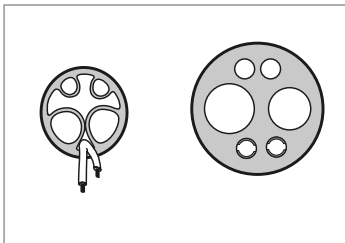
4-hole tubing



Fiber-optic with bulb tubing



Tooth dryer tubing



6-pin fiber-optic tubing

GRAY3 VINYL TUBING (A-DEC 500 AND A-DEC 300)	TUBING LENGTH	PART NUMBER	PRICE
4-hole tubing	84" (2,134 mm)	98.1094.00	
6-pin fiber-optic	84" (2,134 mm)	98.1096.00	
Fiber-optic with bulb	84" (2,134 mm)	98.1095.00	
TOOTH DRYER TUBING (DARK SURF)	TUBING LENGTH	PART NUMBER	PRICE
2-hole	84" (2,134 mm)	98.0012.02	
BULBS		PART NUMBER	PRICE
Replacement bulb for fiber-optic with bulb tubing		041.317.00	

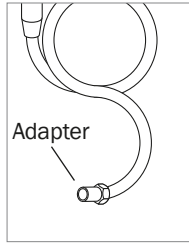
* For use with side exhausting Borden-style tubing

Accessories – Vacuum Components



6-PIN TO 5-HOLE ADAPTER

- Adapts a 5-hole handpiece to a 6-pin handpiece tubing

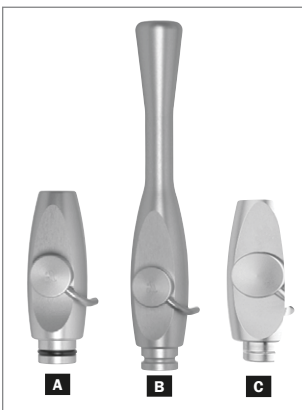


AUTOCLAVABLE SALIVA EJECTOR

- Autoclavable
- On/Off and flow control with unique rotary valve
- Easy to clean

PRODUCT DESCRIPTION	PART NUMBER	PRICE
6-pin to 5-hole adapter	0.02752500	
Replacement bulb	0.01905510	
Replacement bulb for silicone tubing	0.04059400	

PRODUCT DESCRIPTION	PART NUMBER	PRICE
SE adapter	11.0210.00	



A-DEC AUTOCLAVABLE QD HVE (CENTRAL VACUUM ROTARY VALVE) FOR CASCADE, DECADE, AND PERFORMER

- Autoclavable
- On/Off and flow control with unique rotary valve
- Includes QD swivel connector to allow 360° rotation of entire valve
- Adapts to 1/2" (13 mm) ID central vacuum tubing



PRODUCT DESCRIPTION	PART NUMBER	PRICE
HVE conversion kit, (Converts from 1 HVE to 2 and includes four position holder)	11.1009.00	
Performer HVE conversion kit; (Includes HVE and tubing assembly, cap, screen, tailpiece, holder bar, and vacuum connector)	11.1147.00	

Accessories – Vacuum Components

A-DEC 500 & 300 VACUUM INSTRUMENT TUBING ASSEMBLIES

52" tubing for A-dec 351 & 551 Chair-mounted assistant's instrumentation

63" tubing for A-dec 352, 353, 541, & 545 assistant's instrumentation

VALVE ASSEMBLY, TUBING, AND (2) TAILPIECES

DESCRIPTION	PART NUMBER WHITE	PRICE
Standard (11mm) HVE valve with 1/2 inch Tubing		
with 52" (1321mm) tubing	11.1286.01	
with 63" (1600mm) tubing	11.1296.01	
Standard (11mm) HVE Valve with 16mm Tubing		
with 52" (1321mm) tubing	11.1288.01	
with 63" (1600mm) tubing	11.1305.01	
Standard SE Valve with Standard Tubing		
with 52" (1321mm) tubing	12.1227.01	
with 63" (1600mm) tubing	12.1235.01	
Standard SE Valve with EasyFlex Tubing		
with 52" (1321mm) tubing	12.1228.01	
with 63" (1600mm) tubing	12.1236.01	
Large Bore (15mm) HVE Valve with 16mm Tubing		
with 52" (1321mm) tubing	11.1287.01	
with 63" (1600mm) tubing	11.1315.00	

VALVE ASSEMBLIES

DESCRIPTION	PART NUMBER	PRICE
Standard (11mm) HVE valve assembly	11.1335.00	
Standard SE valve assembly	12.1258.00	
Large bore (15mm) HVE valve assembly	12.1257.00	

CASCADE VACUUM INSTRUMENT TUBING ASSEMBLIES

144" assemblies for Cascade 12 o'clock assistant's instrumentation

TUBING, TAILPIECE AND VALVE ASSEMBLIES (SURF)

DESCRIPTION	144" (3658 mm)	TOTAL
Standard 11mm HVE	11.1025.14	
Standard SE (1 tailpiece only)	12.0910.13	
Long tip holder HVE (84" tubing)	11.1359.00	
HVE for Performer AVS (84" tubing)	11.1127.02	

TUBING AND (2) TAILPIECES

DESCRIPTION	PART NUMBER WHITE	PRICE
1/2 inch Tubing		
with 52" (1321mm) tubing	11.1292.01	
with 63" (1600mm) tubing	12.1237.01	
1/2 inch EasyFlex Tubing		
with 52" (1321mm) tubing	11.1355.00	
with 63" (1600mm) tubing	11.1356.00	
16mm Tubing with (1) 11mm Tailpiece and (1) 16mm Tailpiece		
with 52" (1321mm) tubing	11.1294.01	
with 63" (1600mm) tubing	12.1239.01	
Standard SE Tubing		
with 52" (1321mm) tubing	12.1231.01	
with 63" (1600mm) tubing	11.1306.01	
EasyFlex SE Tubing		
with 52" (1321mm) tubing	12.1232.01	
with 63" (1600mm) tubing	11.1307.01	
16mm Tubing with (2) 16mm Tailpieces		
with 52" (1321mm) tubing	11.1293.01	
with 63" (1600mm) tubing	12.1238.01	

Accessories – QD Kits

A-DEC 500 AND 300 QUICK DISCONNECT (QD) KITS

- Kits include male and female connectors and required hardware
- For 5/16" (8 mm) tubing

For A-dec 500 water

	PRODUCT DESCRIPTION	PART NUMBER	PRICE
	Water QD kit, for A-dec 500	90.1097.00	

For A-dec 500 air

	PRODUCT DESCRIPTION	PART NUMBER	PRICE
	Air QD kit, for A-dec 500	90.1098.00	

For A-dec 300 air and water

	PRODUCT DESCRIPTION	PART NUMBER	PRICE
	Air/water QD kit, for A-dec 300	90.1166.00	

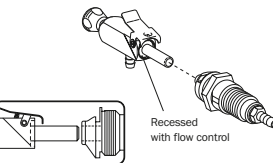
OTHER QUICK DISCONNECT (QD) KITS

- Kits include male and female connectors and required hardware
- For 1/4" (6 mm) tubing

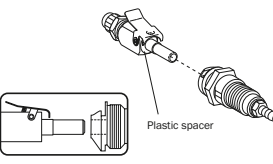
For self-contained water

	PRODUCT DESCRIPTION	PART NUMBER	PRICE
	Self-contained water QD kit	90.0370.00	

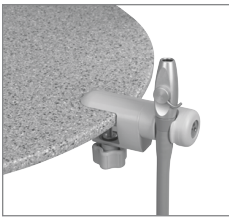
For city water

	PRODUCT DESCRIPTION	PART NUMBER	PRICE
	City water QD kit, for Cascade	026.134.00	
	City water QD kit, for Performer	76.2025.00	

For air

	PRODUCT DESCRIPTION	PART NUMBER	PRICE
	Air QD kit, for Cascade	026.130.00	
	Air QD kit, for Performer	76.2030.00	

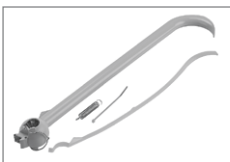
Accessories – Handpiece Holders and Whip Assemblies



FLEX-HOLDER

- Clamps on to worksurfaces up to 1" in thickness
- Choice of syringe/SE or HVE holder size

PRODUCT DESCRIPTION	PART NUMBER WHITE	PRICE
Syringe or saliva ejector flex-holder	99.0705.01	
HVE flex-holder	99.0706.01	
Flex-holder for large bore 15mm HVE; non-active	99.0707.01	



A-DEC 533 WHIP ASSEMBLY

- For additional handpiece in position 2
- Includes whip and hardware

PRODUCT DESCRIPTION	PART NUMBER WHITE	PRICE
A-dec 533 whip assembly	77.0291.02	



A-DEC 333 WHIP ASSEMBLY

- For additional handpiece in position 2
- Includes whip and hardware

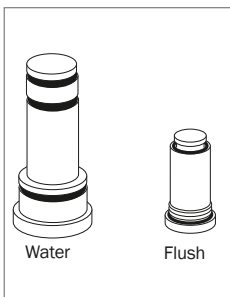
PRODUCT DESCRIPTION	PART NUMBER WHITE	PRICE
A-dec 333 whip assembly kit	90.1205.00	



A-DEC 300/500 ACCESSORY HOLDERS

- Syringe/SE holder size
- A-dec 500 holder mounts to left or right side of A-dec 300 or 500 chair mounted delivery system
- A-dec 300 holder mounts to tray mount location on A-dec 300 delivery system

PRODUCT DESCRIPTION	PART NUMBER WHITE	PRICE
A-dec 500 accessory holder	99.0681.01	
A-dec 500 accessory holder (auto-electric)	99.0684.01	
A-dec 300 accessory holder	77.0919.00	



RADIUS/CASCADE DRY BLOCK CONVERSION KIT

- Includes two plugs: one for water and one for flush
- Plugs are black on the bottom

PRODUCT DESCRIPTION	PART NUMBER	PRICE
Radius/Cascade dry block conversion kit	38.0648.00	

Clinical Products



SECTION CONTENTS

Restorative

Electric Handpiece Systems

A-dec W&H Motors, Control Module, Tubing, and Kits	141
NSK Electric Motors, Control Module, and Tubing Kits	142

Filling

Curing Light	144
------------------------	-----

Preventive

Treatment of Tartar and Soft Tissue

Ultrasonic Scaler	146
-----------------------------	-----

Education/Diagnosis

Intraoral Camera	148
----------------------------	-----

Infection Control

Waterline Treatment

Water Tablet	150
------------------------	-----

Vacuum-Line Cleaning System

A-dec ICV	151
---------------------	-----

A-dec | W&H Electric Handpieces

Electric Motor Systems

STANDARD FEATURES

EA-53 ELECTRIC MOTOR

- One of the world's smallest and lightest motors that provides superior ergonomics
- Over three times the power of an air handpiece in virtually the same size
- Quiet vibration-free motor operation delivers unparalleled tactile feedback
- LED lighting for superior visibility (2-year warranty)
- Fifth generation proven electric motor system technology
- Endodontic functions with torque control and three modes of auto-reverse
- Sterilizable brushless motor technology
- Fits any E-style electric handpieces



A-dec EA-53 electric motor

INTEGRATED EA-53 ELECTRIC MOTOR KITS

- Seamless electric motor kit integration with the choice between single or dual motors
- For delivery systems with a deluxe touchpad
- For high-speed, low-speed, and torque controlled rotary endo applications
- Up to 16 programmable memory settings with A-dec 500 deluxe touchpad




A-dec EA-53 integrated electric motor system

INTEGRATED EA-53 ELECTRIC MOTOR KITS (field installed)	COLOR AND LENGTH	PART NUMBER	PRICE
Single Control Module + Motor + Tubing Kit			
A-dec 532, 533, and 542	Gray 3, 61"	54.0493.00	
A-dec 541	Gray 3, 82"	54.0494.00	
A-dec 300 (ALL)	Gray 3, 61"	54.0493.00	
Dual Control Module + Motor + Tubing Kit (1st Position)			
A-dec 532, 533, and 542	Gray 3, 61"	54.0495.00	
A-dec 541	Gray 3, 82"	54.0496.00	
A-dec 300 (ALL)	Gray 3, 61"	54.0495.00	
Motor + Tubing Kit* (2nd position)			
A-dec 532, 533, and 542	Gray 3, 61"	54.0497.00	
A-dec 541	Gray 3, 82"	54.0498.00	
A-dec 300 (ALL)	Gray 3, 61"	54.0497.00	

*All 2nd position EA-53 electric motors require a 1st position electric motor with a CM-2.2 controller

ELECTRIC MOTOR TECHNICAL SPECIFICATIONS*

MODEL	SYSTEM	POWER (Watts)	SPEED RANGE (rpm)	TORQUE (Ncm)	LIGHT	LENGTH (mm)	WEIGHT (grams)	IMAGE	PART NUMBER	PRICE
EA-53	Compact E-Style	60	100 - 40,000	3	LED+	31.5	57		54.0478.00	

*Refer to electric motor components and systems section

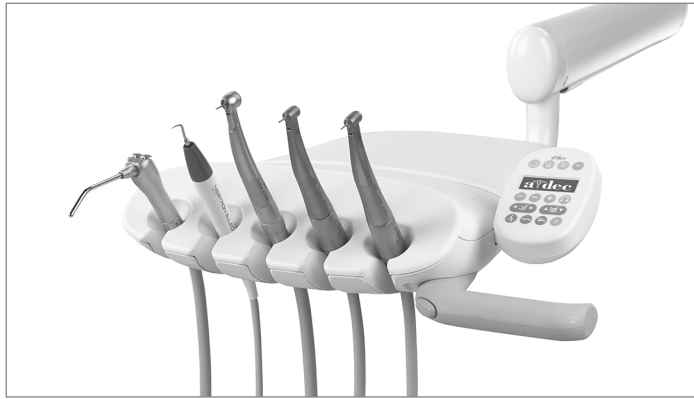


Restorative - Electric Handpiece Systems

NSK Electric Motors, Control Module, Tubing Kits

STANDARD FEATURES

- Factory-installed or dealer-installed in the A-dec 500 and 300 delivery systems
- Automatically switch between high-speed and low-speed applications
- Endodontic functions with torque control and three modes of auto-reverse
- Sterilizable brushless motor technology
E-system compatible – accepts E-style ISO attachments
- Up to 16 programmable memory settings with A-dec 500 deluxe touchpad
- Low noise with audible torque limit warning
- 65 psi drive air supply needed for optimum operation



A-dec NLZ (Manufacturing Partner NSK)



- Weight: 57 g (2.01 oz) , micromotor only
- Max. torque 4.0 Ncm/65 watts, with Endo Function
- 100-40,000 rpm with forward and reverse in standard mode, 36,000 recommended
- LED daylight quality illumination gives you 32,000 lux for a clear view



A-dec NLX nano (Manufacturing Partner NSK)

- Weight: 61 g (2.15 oz) , micromotor only
- Max. torque 3.4 Ncm/60 watts
- 1,000-40,000 rpm with forward and reverse in standard mode, 36,000 recommended
- LED daylight quality illumination gives you 32,000 lux for a clear view

ELECTRIC MOTOR COMPARISON CHART

MODEL	APPLICATION	RECOMMENDED ATTACHMENTS*	POWER (Watts)	SPEED RANGE (rpm)	TORQUE (Ncm)	LIGHT	LENGTH (mm)	WEIGHT (grams)	IMAGE
NLZ	General Restorative Endodontic Prophylaxis	Ti-Max Z Ti-Max X S-Max M EX	65	100 - 40,000	4	LED light in motor	30.8	57 (micromotor only)	
NLX nano	General Restorative Prophylaxis	Ti-Max Z Ti-Max X S-Max M EX	60	1,000 - 40,000	3.4	LED light in motor	30.8	61 (micromotor only)	

*Only available from an NSK dealer

Restorative - Electric Handpiece Systems

NSK Electric Motors, Control Module, Tubing Kits

NLX AND NLZ COMPONENTS	PART NUMBER	PRICE
Control module for NLX	54.0437.01	
Control module for NLZ	54.0601.01	
NLX nano		
NLX Nano motor	54.0438.00	
Tubing assembly 61"	54.0442.00	
Tubing assembly 82"	54.0443.00	
NLZ		
NLZ motor	54.0602.00	
Tubing assembly 63"	54.0603.01	
Tubing assembly 82"	54.0604.01	

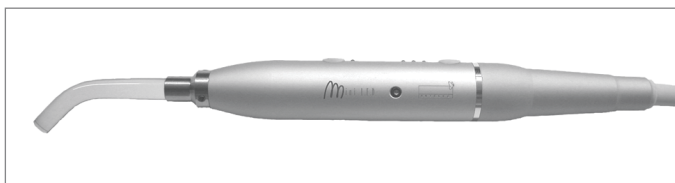
NLX AND NLZ DELIVERY SYSTEM MODULES	PART NUMBER	PRICE
Single Control Module + Motor + Tubing Kit (1st position)		
NLZ		
A-dec 532, 533, and 542	54.0605.00	
A-dec 541	54.0606.00	
A-dec 300 (ALL) and Performer	54.0605.00	
NLX Nano		
A-dec 532, 533, and 542	54.0446.00	
A-dec 541	54.0447.00	
A-dec 300 (ALL) and Performer	54.0446.00	
Motor + Tubing Kit (2nd position)		
NLZ		
A-dec 532, 533, and 542	54.0605.01	
A-dec 541	54.0606.01	
A-dec 300 (ALL) and Performer	54.0605.01	
NLX Nano		
A-dec 532, 533, and 542	54.0446.01	
A-dec 541	54.0447.01	
A-dec 300 (ALL) and Performer	54.0446.01	



Restorative - Filling

Acteon Curing Lights

SATELEC CURING LIGHTS



Satelec Mini LED curing light

- Integrates easily with A-dec 500, A-dec 300, Cascade, and Radius delivery systems
- Standard light guide (7.5 mm) produces a minimum 1,250 mWatt/cm²
- Light guide is autoclavable
- Produces light between 420 and 480 nm
- Mount to either doctor's or assistant's controls
- Enables rapid curing without generating heat
- Three curing modes:
 - Full Power: Full intensity for 10 seconds
 - Pulse: Ten 1.0 second pulses at 0.25 second intervals
 - Ramping: 10 second ramp up to full power, then 10 seconds at full power
- 1,250 mWatt/cm² power at 7.5 mm
2,000 mWatt/cm² power at 5.5 mm



Satelec ScanWave curing light

- Integrates easily with A-dec 500, A-dec 300, Cascade, and Radius delivery systems
- Standard light guide (7.5 mm) produces a minimum 1,250 mWatt/cm²
- Light guide is autoclavable
- Produces light between 390 and 510 nm
- Mount to either doctor's or assistant's controls
- Enables rapid curing without generating heat
- Three curing modes:
 - Full Power: Full intensity for 10 seconds
 - Pulse: Ten 1.0 second pulses at 0.25 second intervals
 - Ramping: 10 second ramp up to full power, then 10 seconds at full power
- 1,500 mWatt/cm² power at 7.5 mm
2,200 mWatt/cm² power at 5.5 mm

DEALER-INSTALLED CURING LIGHT SYSTEMS BY DELIVERY SYSTEM MODEL NUMBER	COLOR AND LENGTH	PART NUMBER	PRICE
Satelec Mini LED Curing Light			
A-dec 532, 533, 542, 541, and 545	Gray 3, 117"	54.0291.00	
	Surf 6, 117"	54.0185.00	
A-dec 332, 333, 334, 335, and Performer	Gray 3, 117"	54.0291.00	
Radius 2122, 2132 and Cascade 2240, 2250	Surf 6, 117"	54.0185.00	
Satelec ScanWave Curing Light			
A-dec 532, 533, 542, 541, and 545	Gray 3, 117"	54.0474.00	
A-dec 332, 333, 334, 335, and Performer	Gray 3, 117"	54.0474.00	

ACCESSORY, FLEX, AND UNITIZED HOLDERS FOR FIELD INTEGRATION	PART NUMBER SURF	PART NUMBER WHITE	PRICE
Flex-holder for A-dec 541, 545, and worksurface	99.0705.00	99.0705.01	
Accessory holder, non-active, for 541, 545, and 551	99.0653.01	99.0653.03	
Accessory holder, non-active, for 532, 533, and 542	99.0681.00	99.0681.01	
Accessory holder, non-active, for A-dec 300 delivery systems and Performer	-	77.0919.00	
Cascade unitized 3-position left holder	99.0619.00	-	
Cascade unitized 3-position right holder	99.0618.00	-	



Preventive - Treatment of Tartar and Soft Tissue

Acteon Ultrasonic Instruments

STANDARD FEATURES

- Integrates easily with A-dec 500, A-dec 300 delivery systems and fully controlled with the A-dec deluxe touchpads
- Patented Cruise Control® system providing precise vibration and consistent power regardless of treatment
- Auto-tuning technology guarantees the tip is in the exact vibration frequency in the range of 28kHz to 36kHz, which insures accurate tip speed
- Feedback technology automatically regulates power in the handpiece to make sure there is no loss of power during increased loads
- Push-pull technology controls the back and forth action of each tip from 0–170 micrometers providing smooth vibrations for increased patient comfort and tactile sense for the clinician
- LED lit handpiece provides 100,000 lux of illumination for better visibility
- Compatibility with 85 different tips for scaling, periodontics, endodontics, and restorative procedures
- Introductory tip kit sold separately (1 each, 10Z and H3 tips)
- Sterilizable handpiece
- Wide power range from a minimum 2VA to a maximum 26VA



Satelec Newtron Slim B.LED ultrasonic handpiece

- Handpiece core comprised of titanium for light weight and resistance to corrosion
- Thinner body and lightweight, 48 grams
- More flexible cord for better ergonomics
- Detachable autoclavable nose cone
- Provides exceptional intraoral and dental plaque visibility with 6 high power LEDs (100,000 lux)



Satelec Newtron Slim ultrasonic handpiece

- Handpiece core comprised of titanium for light weight and resistance to corrosion
- Thinner body and lightweight, 44 grams
- More flexible cord for better ergonomics
- Detachable autoclavable nose cone

DEALER-INSTALLED SATELEC ULTRASONIC CONTROL MODULE AND CORD SET SYSTEMS BY DELIVERY SYSTEM MODEL NUMBER	LENGTH	COLOR	PART NUMBER	PRICE
Satelec Newtron Slim				
A-dec 532, 533 and 542	61"	Gray 3	54.0582.00	
A-dec 541	81"	Gray 3	54.0583.00	
A-dec 300 (ALL) and Performer	61"	Gray 3	54.0582.00	

ULTRASONIC HANDPIECES AND COMPONENTS	PART NUMBER	PRICE
Satelec Newtron Slim ultrasonic handpiece only	54.0580.00	
Satelec Newtron Slim B.LED ultrasonic handpiece only	54.0581.00	
Satelec ultrasonic handpiece tip kit	54.0406.00	
Potentiometer control kit for Satelec ultrasonic instruments	54.0202.00	

NOTE: Cascade, Radius, A-dec 500 and A-dec 300 deliveries with standard or no touchpad require field installation of kits with a potentiometer.



Preventive - Treatment of Tartar and Soft Tissue

Dentsply Cavitron Ultrasonic Instruments*

STANDARD FEATURES

- 30k magnetostrictive ultrasonic technology
- Patented Sustained Performance System (SPS™) technology adjusts system power to maintain tip stroke regardless of clinical load and conditions allowing for scaling efficiency and improved patient comfort even at lower power settings
- Blue Zone™ extended low power range for added performance advantages and patient comfort
- Lavage (water) control conveniently located on the handpiece allows easy adjusting without turning away from patient
- Integrates easily into A-dec 500 and A-dec 300 delivery systems with deluxe touchpads
- Standard or no touchpad delivery systems need a potentiometer kit, which can be purchased from Dentsply
- Each kit contains the handpiece, controller, tubing and parts needed for installation into A-dec delivery systems



Dentsply Cavitron Steri-Mate ultrasonic handpiece

- Detachable and autoclavable handpiece reduces cross-contamination for enhanced infection control



Dentsply Cavitron Steri-Mate 360 ultrasonic handpiece

- Rotating handpiece nose allows for effortless rotation of an ultrasonic insert within the anterior and posterior of the oral cavity
- Detachable and autoclavable handpiece reduces cross-contamination for enhanced infection control



*NOTE: PURCHASE YOUR DEALER-INSTALLED SYSTEMS FROM DENTSPLY

To place an order, contact your local DENTSPLY Professional distributor, or call DENTSPLY Professional Customer Service at 1.800.989.8826 or visit www.professional.dentsply.com

DENTSPLY CAVITRON ULTRASONIC INSTRUMENT BY DELIVERY SYSTEM MODEL NUMBER	DESCRIPTION	CAVITRON PART NUMBER	PRICE
A-dec 532, 533, 542, A-dec 300 (ALL), and Performer	66" grey w/Steri-Mate 360 - A-dec config	8800201	
	66" grey w/Steri-Mate - A-dec config	8800203	
A-dec 541	82" grey w/Steri-Mate 360 - A-dec config	8800202	
	82" grey w/Steri-Mate - A-dec config	8800204	
DEALER-INSTALLED POTENTIOMETER KIT		CAVITRON PART NUMBER	PRICE
Cavitron Potentiometer Kit for A-dec delivery systems with standard or no touchpad		81365	

FOR PRICING OF A-DEC FACTORY INSTALLED CAVITRON SCALER SEE EQUIPMENT PAGES OF THE A-DEC 500 AND A-DEC 300 UNITS

Preventive - Education/Diagnostics

Acteon Intraoral Cameras

STANDARD FEATURES

- Integrates easily with A-dec 500, A-dec 300, Cascade, and Radius delivery systems
- Fits all existing Sopro intraoral camera tubing
- Lightweight and easy to handle
- Works with Sopro Imaging (and nearly all other) software
- Uses SoproTouch or optional foot control for image capture
- Automatic On/Off with active handpiece holder
- Portable handpiece
- Easy to clean
- Analog and USB 2.0 compatibility
- Requires a dry control block position

SOPRO INTRAORAL CAMERAS



Sopro 617 intraoral camera

- Features new generation LEDs for uniform illumination and minimized shadowing
- Provides wide angle of view (105°) for exceptional visibility, even in hard to reach areas of the oral cavity
- Saves time with easy-to-use fixed focus and large depth of field
- Weighs 1.9 oz (55 g)
- Eliminates 'fisheye' distortion with aspheric lens



Sopro 717 First intraoral camera

- 3 Viewing modes:
 - Macro 0-5 mm
 - Intraoral 5-30 mm
 - Extraoral 30mm-infinity
- Digital signal processor (DSP) offers exceptional image quality
- Image magnification up to 115 times in macro mode

SOPRO DIAGNOSTIC INTRAORAL CAMERAS



SoproLIFE intraoral camera

- Everything the 717 has plus...
- Exclusive fluorescence-based caries detection system combined with outstanding intraoral camera function
- Features both white and blue next generation LEDs for traditional camera mode and fluorescence mode



SoproCare intraoral camera

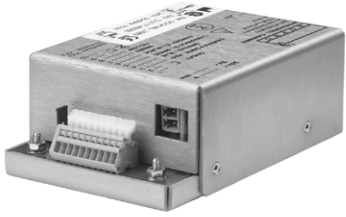
- Everything the 717 has plus...
- Exclusive fluorescence-based caries detection system combined with outstanding intraoral camera function
- Exclusive fluorescence-based plaque, calcium, and gingival inflammation detection system

ACTEON INTRAORAL CAMERAS	PART NUMBER	PRICE
Sopro Intraoral Cameras		
Sopro 617 intraoral camera (NTSC)	54.0263.00	
Sopro 617 intraoral camera (PAL)	54.0264.00	
Sopro 717 First intraoral camera (NTSC)	54.0421.00	
Sopro 717 First intraoral camera (PAL)	54.0422.00	
Sopro Diagnostic Intraoral Cameras		
SoproLIFE intraoral camera (NTSC)	54.0392.00	
SoproLIFE intraoral camera (PAL)	54.0393.00	
SoproCare intraoral camera (NTSC)	54.0471.00	
SoproCare intraoral camera (PAL)	54.0472.00	



Preventive - Education/Diagnostics

Acteon Intraoral Camera Docks



Sopro Analog and USB2 Dock module



Sopro USB2 only Mini Dock module

DEALER-INSTALLED INTRAORAL CAMERA DOC MODULE AND TUBING SYSTEMS BY DELIVERY SYSTEM MODEL NUMBER	LENGTH	COLOR	PART NUMBER	PRICE
Sopro Analog and USB2 Dock Module + Tubing*				
A-dec 532, 533, 542	276" (7m)	Gray 3	54.0294.00	
		Surf 6	54.0226.00	
A-dec 541	79" (2m)	Gray 3	54.0311.00	
		Surf 6	54.0228.00	
All A-dec 300 and Performer	276" (7m)	Gray 3	54.0294.00	
Radius 2122, 2132 and Cascade 2240, 2250		Surf 6	54.0226.00	
Sopro USB2 only Mini Dock Module + Tubing				
A-dec 532, 533, 542, 541, A-dec 300 (ALL), and Performer		Gray 3	54.0584.00	

*Sopro analog and USB2 dock module has on board memory, so a computer is not necessary to display images on a monitor.

Infection Control - Water Treatment

A-dec ICX®



A-dec ICX® waterline treatment tablet

PRODUCT DESCRIPTION

A-dec ICX is specially formulated to maintain your water quality without compromising the life of the dental unit. When used in conjunction with regular water testing following flush (shock) treatment with an antimicrobial product registered with the U.S. EPA and recommended by A-dec, ICX will provide optimum efficacy for control of odor and foul taste bacteria. For more information regarding waterline maintenance, contact A-dec Customer Service or visit us on the web.

ICX TABLETS	PART NUMBER	PRICE
One case of ICX treatment tablets, 2 liter size 1,800 treatments: 50 tablets per box, 36 boxes per case	90.1065.00	
One case of ICX treatment tablets, 0.7-liter size 1,800 treatments: 50 tablets per box, 36 boxes per case	90.1064.00	



0.7-liter water bottle



2-liter water bottle



Infection Control - Vacuum-Line Cleaning System

A-dec ICV for Preference Collection



STANDARD FEATURES

- Designed for use with Preference Collection. Please refer to the electronic catalog for ordering information.
- Simple 3-step operation for vacuum-line cleaning
- Variable timed cycle
- Easy-to-fill tank
- Single control panel compatible with Preference Collection 5562, 5662, 5580, 5531, 5631, 5536, 5537, and 5636
- Optional dual control panel compatible with Preference Collection 5543
- Requires minimum 7" W x 20" D x 21" H (178 mm x 508 mm x 533 mm) module for fluid tank storage
- Safer and cleaner than other vacuum-line cleaning methods

NOTE: Order the ICV cutout with Preference Collection module.

NOTE: A-dec ICV for A-dec Inspire is ordered within the cabinet module

ICV vacuum-line cleaning system located on the X-ray panel on a 5543 central console

ICV VACUUM-LINE CLEANING SYSTEM CHOICES	PART NUMBER	PRICE	TOTAL
Single control panel, connectors for two standard (Standard 11mm) HVEs and one SE <input type="checkbox"/> 120V <input type="checkbox"/> 240V	77.0614.00 77.0615.00		
<input type="checkbox"/> Single control panel, connectors for two standard (Large Bore 15mm) HVEs and one SE, 240V	77.0616.00		
<input type="checkbox"/> Dual control panels, connectors for two standard (Large Bore 15mm) HVEs and one SE (per control panel), 240V	77.0617.00		
Dual control panels, connectors for two standard (Standard 11mm) HVEs and one SE (per control panel), <input type="checkbox"/> 120V <input type="checkbox"/> 240V	77.0618.00 77.0619.00		
Subtotal			\$
Quantity			x
Grand Total			\$



Estimated shipping weight: 10 lb. (4.5 kg)
UPS shipping available

Simulator



SECTION CONTENTS

Simulator.....	155
----------------	-----

FACTORY-INSTALLED CHOICES



Deluxe touchpad



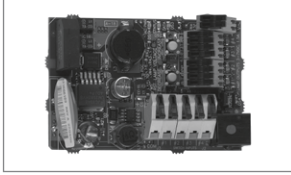
A-dec EA-53 electric motor



A-dec NSK NLX nano electric motor



A-dec NSK NLZ electric motor



Quad-voltage intraoral light source



Satelec ScanWave curing light



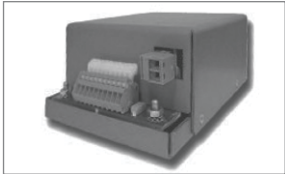
Satelec Mini LED curing light



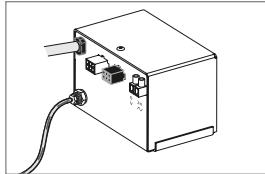
Satelec Newtron Slim B.LED ultrasonic handpiece



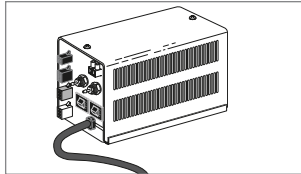
Satelec Newtron Slim ultrasonic handpiece



Intraoral camera dock (Analog and USB2)



25-Watt power supply



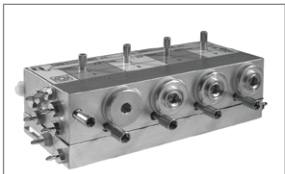
300-Watt power supply



Dentsply Cavitron Steri-Mate ultrasonic handpiece



Dentsply Cavitron Steri-Mate 360 ultrasonic handpiece



4-Position control block



Bin locks



Third hand



Columbia I & II adaptor kit



Frasaco II adaptor kit

STATIONARY SIMULATOR ONLY



Writing surface



Monitor mount



Duplex/network kit

FIELD-INSTALLED CHOICES



Sopro 617 intraoral camera handpiece only (Pal or NTSC)



Sopro 717 First intraoral camera handpiece only (Pal or NTSC)



SoproCare Intraoral camera handpiece only



SoproLIFE Intraoral camera handpiece only



Tray holder (stationary only)

MOUNTING LOCATIONS

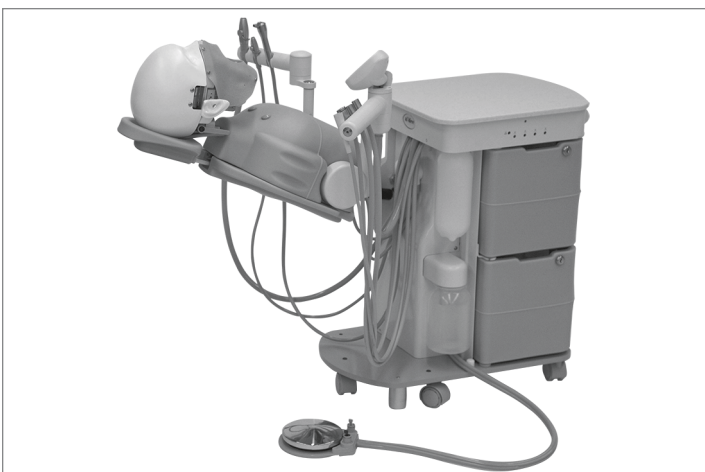


Bench



Stationary

Simulator



A-dec 41L mobile simulator

STANDARD FEATURES

- Choice of mobile or stationary
- Self-contained water system
- Equipped for central vacuum
- Left/right-handed setup
- Three-position control block (three wet)
- Three positionable pneumatic holders for doctor
- Three positionable holders for assistant's instrumentation
- Standard 11mm HVE
- One Autoclavable syringe on doctor's or assistant's side
- Two storage bins
- Gibraltar worksurface
- Air and Water QDs

NOTE: Electric handpieces and scalers require touchpad to operate.

NOTE: Shutoff valves available, separate valves utilized for air and city water.

Please reference pre-install guide for utility requirements and product specifications.



A-dec 42L stationary simulator



Autoclavable syringe

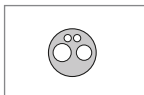
A-DEC SIMULATOR CHOICES

(for additional factory and field-installed choices, see A-dec Simulator tab)

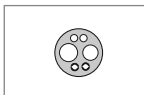
Tubing options:



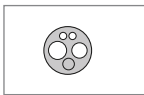
3-hole **E**



4-hole **E**



6-pin
Fiber-optic **E**



Fiber-optic with
bulb **E**

LEGEND

- A** = Price reflects retail price adjustment to change from standard to optional feature
- B** = Required for electric handpiece and ultrasonics
- D** = Deluxe touchpad required
- E** = Requires control block position
- F** = Requires intraoral light source and fiberoptic switch
- G** = Requires minimum of a 25-watt power supply
- H** = Requires access to 300-watt power supply
- I** = Not available with a deluxe touchpad
- J** = One switch for each fiberoptic tubing without a touchpad, or one switch with each block position with a deluxe touchpad
- L** = Required to operate a dental light from the touchpad
- M** = 120 Volt only
- N** = For use on stationary simulator only
- O** = Available only if block is used in position 1, 2 and 3



Estimated shipping weight: 210 lb. (95 kg)
10 Amp maximum

Simulator

SIMULATOR BASE CHOICES					CONFIGURED PART NUMBER	PRICE	TOTAL	ITEM PART NUMBER	
<input type="checkbox"/> A-dec 41L mobile simulator					V0195.0086			-	
A-dec 42L stationary simulator					V0195.0087			-	
<input type="checkbox"/> 120 VAC <input type="checkbox"/> 240 VAC									
Worksurface Choices									
<input type="checkbox"/> Solid surface: color choice is:					V0334.0091			-	
<input type="checkbox"/> Tray holder					V0070.0012			83.0687.01	
Power Supply									
<input type="checkbox"/> 300 watt / 100 Volt					V0060.0005			-	
<input type="checkbox"/> 300 watt / 120 Volt					V0060.0006			90.1252.00	
<input type="checkbox"/> 300 watt / 240 Volt					V0060.0007			-	
<input type="checkbox"/> 25 watt / 100 Volt					V0060.0011			-	
<input type="checkbox"/> 25 watt / 120 Volt					V0060.0010			90.1249.00	
<input type="checkbox"/> 25 watt / 240 Volt					V0060.0009			-	
Simulator base choices subtotal							\$		
DOCTOR'S CHOICES				HANDPIECE POSITIONS		CONFIGURED PART NUMBER	PRICE	TOTAL	ITEM PART NUMBER
				1	2	3	4		
<input type="checkbox"/> Deluxe touchpad								V0036.0008	90.1261.00
Intraoral Light Source ⓘ									
<input type="checkbox"/> Quad-voltage intraoral light source with:								V0086.0005	-
<input type="checkbox"/> 1 Fiber-optic switch								V0407.0004	-
<input type="checkbox"/> 2 Fiber-optic switches								V0407.0001	90.1238.00
<input type="checkbox"/> 3 Fiber-optic switches								V0407.0003	(2) 90.1238.00
<input type="checkbox"/> 4 Fiber-optic switches (Required with deluxe touchpad)								V0407.0006	(3) 90.1238.00
Autoclavable syringe (maximum 1)									
Doctor's side				<input type="checkbox"/>	-	-	-	V0267.0033	-
Assistant's side				<input type="checkbox"/>	<input type="checkbox"/>	-			-
<input type="checkbox"/> Additional control block position and holder								V0101.0005	
Utilities									
<input type="checkbox"/> City water ⓘ								V0023.0001	90.1242.00
<input type="checkbox"/> Air vacuum system (AVS) ⓘ								V0024.0001	90.1241.00
Air Driven Silicone Handpiece Tubing									
3-hole				<input type="checkbox"/>	<input type="checkbox"/>	<input type="checkbox"/>	<input type="checkbox"/>	V0267.0015	98.1086.00
4-hole				<input type="checkbox"/>	<input type="checkbox"/>	<input type="checkbox"/>	<input type="checkbox"/>	V0267.0002	98.1087.00
6-pin				<input type="checkbox"/>	<input type="checkbox"/>	<input type="checkbox"/>	<input type="checkbox"/>	V0267.0001	98.1089.00
5-hole fiber-optic with bulb				<input type="checkbox"/>	<input type="checkbox"/>	<input type="checkbox"/>	<input type="checkbox"/>	V0267.0006	98.1088.00
Electric Motor Systems ⓘ ⓘ ⓘ ⓘ									
A-dec Manufacturing Partner W&H									
EA-53 electric motor and tubing				<input type="checkbox"/>	<input type="checkbox"/>	<input type="checkbox"/>	<input type="checkbox"/>	V0267.0049	54.0497.00
Control module for EA-53									
<input type="checkbox"/> Single position CM 1.2								V0053.0004	54.0479.03
<input type="checkbox"/> Dual position CM 2.2								V0053.0005	54.0480.03
A-dec Manufacturing Partner NSK									
NLZ electric motor and tubing				<input type="checkbox"/>	<input type="checkbox"/>	<input type="checkbox"/>	<input type="checkbox"/>	V0267.0080	54.0605.01
<input type="checkbox"/> Control module for NLZ								V0053.0006	54.0601.01
NLX nano electric motor and tubing				<input type="checkbox"/>	<input type="checkbox"/>	<input type="checkbox"/>	<input type="checkbox"/>	V0267.0041	54.0446.01
<input type="checkbox"/> Control module for NLX								V0053.0003	54.0437.01
Curing Light Module (maximum 1) ⓘ									
Satelec Mini LED curing light									
Doctor's side				<input type="checkbox"/>	-	-	-	V0267.0014	54.0291.00
Assistant's side				<input type="checkbox"/>	<input type="checkbox"/>	-			
Satelec ScanWave curing light									
Doctor's side				<input type="checkbox"/>	-	-	-	V0267.0050	54.0474.00
Assistant's side				<input type="checkbox"/>	<input type="checkbox"/>	-			

Simulator

DOCTOR'S CHOICES continued	HANDPIECE POSITION				CONFIGURED PART NUMBER	PRICE	TOTAL	ITEM PART NUMBER
	1	2	3	4				
Intraoral Camera System B F H								
Acteon								
Dock Modules								
Analog and USB2	<input type="checkbox"/>	<input type="checkbox"/>	<input type="checkbox"/>	<input type="checkbox"/>	V0267.0008			54.0294.00
USB2 only	<input type="checkbox"/>	<input type="checkbox"/>	<input type="checkbox"/>	<input type="checkbox"/>	V0267.0074			54.0584.00
Handpieces								
<input type="checkbox"/> SoproCare intraoral camera handpiece only, NTSC					V0043.0011			54.0471.00
<input type="checkbox"/> SoproCare intraoral camera handpiece only, PAL					V0043.0010			54.0472.00
<input type="checkbox"/> SoproLIFE intraoral camera handpiece only, NTSC					V0043.0009			54.0392.00
<input type="checkbox"/> SoproLIFE intraoral camera handpiece only, PAL					V0043.0008			54.0393.00
<input type="checkbox"/> Sopro 717 First intraoral camera handpiece only, NTSC					V0043.0006			54.0421.00
<input type="checkbox"/> Sopro 717 First intraoral camera handpiece only, PAL					V0043.0007			54.0422.00
<input type="checkbox"/> Sopro 617 intraoral camera handpiece only, NTSC					V0043.0005			54.0263.00
<input type="checkbox"/> Sopro 617 intraoral camera handpiece only, PAL					V0043.0002			54.0264.00
Ultrasonic Instrument Systems D E F H								
Satelec								
Satelec Newtron Slim control module and cordset	<input type="checkbox"/>	<input type="checkbox"/>	<input type="checkbox"/>	<input type="checkbox"/>	V0267.0072			54.0582.00
Handpieces								
<input type="checkbox"/> Sateltec Newtron Slim B.LED ultrasonic handpiece					V0158.0004			54.0581.00
<input type="checkbox"/> Sateltec Newtron Slim ultrasonic handpiece					V0158.0005			54.0580.00
Satelec instrument tip kit					V0196.0001			54.0406.00
Dentsply								
Cavitron Steri-Mate handpiece, module, cord set, and insert	<input type="checkbox"/>	<input type="checkbox"/>	<input type="checkbox"/>	<input type="checkbox"/>	V0267.0079			
Cavitron Steri-Mate 360 handpiece, module, cord set, and insert	<input type="checkbox"/>	<input type="checkbox"/>	<input type="checkbox"/>	<input type="checkbox"/>	V0267.0078			
Holders								
Holder only, no block position, no tubing D	-	-	-	<input type="checkbox"/>	V0267.0051			-
Holder, block position, no tubing E I	<input type="checkbox"/>	<input type="checkbox"/>	<input type="checkbox"/>	<input type="checkbox"/>	V0267.0054			-
Holder, block position, no tubing, with FO switch E	<input type="checkbox"/>	<input type="checkbox"/>	<input type="checkbox"/>	<input type="checkbox"/>	V0267.0052			-
Blank holder	-	-	-	-	V0267.0025			90.1263.00
Doctor's choices subtotal							\$	
ASSISTANT'S CHOICES continued on next page								
Vacuum (assistant's side)								
Auto electric holders	<input type="checkbox"/>	<input type="checkbox"/>			V0402.0002			-
Blank holder	<input type="checkbox"/>	<input type="checkbox"/>			-			-
Saliva ejector (SE)	<input type="checkbox"/>	<input type="checkbox"/>			V0460.0055			12.1246.00
High-volume evacuator (HVE)			<input type="checkbox"/>		V0460.0057			-
Manikin Adaptor Choice (include mount and mask drain - manikin head not included)								
<input type="checkbox"/> Frasaco II adaptor					V0077.0003			-
<input type="checkbox"/> Columbia/Kilgore adaptor					V0077.0004			-
<input type="checkbox"/> Columbia II (drain only)					V0077.0005			-
<input type="checkbox"/> Kilgore II (drain only)					V0077.0006			-
Storage								
<input type="checkbox"/> Remove storage bins & locks					V0078.0002			
<input type="checkbox"/> Remove storage bin lock cores					V0103.0002			

Simulator

ASSISTANT'S CHOICES continued	HANDPIECE POSITION				CONFIGURED PART NUMBER	PRICE	TOTAL	ITEM PART NUMBER
	1	2	3	4				
<input type="checkbox"/> Duplex/network kit M N					V0406.0001			83.0542.01
<input type="checkbox"/> Writing surface N					V0164.0001			83.0679.01
<input type="checkbox"/> Monitor mount N					V0141.0002			83.0723.01
<input type="checkbox"/> Third hand					V0104.0002			83.0694.01
<input type="checkbox"/> Touchpad control for light D H L					V0409.0002			90.1171.00
<input type="checkbox"/> Intermediate light post N (Required for writing surface, monitor mount, or dental light)					V0118.0013			90.1244.00
<input type="checkbox"/> Shut-off valve, compression (Uses 1 w/self-contained water, uses 2 w/city water)					V0062.0002			026.062.00
<input type="checkbox"/> Shut-off valve, threaded (Uses 1 w/self-contained water, uses 2 w/city water)					V0062.0003			026.158.00
Assistant's choices subtotal							\$	
DENTAL LIGHT CHOICES					CONFIGURED PART NUMBER	PRICE	TOTAL	ITEM PART NUMBER
A-dec 300 LED 3-axis dental light: <input type="checkbox"/> 120 Volt <input type="checkbox"/> 240 volt								
<input type="checkbox"/> A-dec 378L LED light					V0195.0263			-
<input type="checkbox"/> Stationary mount					V0055.0022			-
<input type="checkbox"/> In-bench mount					V0055.0021			-
<input type="checkbox"/> Single universal bench top					V0055.0024			-
A-dec 500 LED 3-axis dental light: <input type="checkbox"/> 120 Volt <input type="checkbox"/> 240 volt								
<input type="checkbox"/> A-dec 578L LED light					V0195.0215			-
<input type="checkbox"/> Stationary mount					V0055.0022			-
<input type="checkbox"/> In-bench mount					V0055.0021			-
Universal bench top:								
<input type="checkbox"/> Single					V0055.0024			-
<input type="checkbox"/> Dual					V0055.0044			-
Dental light choices subtotal							\$	
Simulator base choices subtotal							\$	
Doctor's choices subtotal							\$	
Assistant's choices subtotal							\$	
Subtotal of all Sections							\$	
Quantity							x	
Grand Total							\$	

SUBBASE OPTIONS (For stationary simulator only)	ITEM PART NUMBER	PRICE	TOTAL
<input type="checkbox"/> Single unit subbase cover N	83.0428.01		
<input type="checkbox"/> Dual unit subbase cover (order 1 for every 2 simulators) N	83.0621.00		

LEGEND

- A** = Price reflects retail price adjustment to change from standard to optional feature
- H** = Requires access to 300-watt power supply
- J** = One switch for each fiberoptic tubing without a touchpad, or one switch with each block position with a deluxe touchpad
- K** = For use with Satelec SP Newtron Scaler
- N** = For use on stationary simulator only

Worksurface and Countertop Options

WORKSURFACE AND COUNTERTOP OPTIONS

The Preference Collection section has been removed from the printed catalog. Please contact Customer Service for ordering information.

SPECIAL COLOR INFORMATION

Other Wilsonart solid surface colors and laminates from Wilsonart, Formica, Cambria, and Samsung are available at an additional charge, per color, per order. Color sample chips and other information is available on the internet and at local dealers specializing in these materials.

LAMINATE, SOLID SURFACE, AND QUARTZ UPCHARGES

When placing orders for non-standard laminates, solid surfaces and quartz please be aware that there may be additional charges. Details are available on the Cancellations, Changes, and Upcharges page in the front of this catalog.

HIGH PRESSURE DECORATIVE LAMINATE

WOOD GRAINS CHOICES

5th Avenue Elm, Wilsonart
Amber Cherry; Wilsonart*
Biltmore Cherry; Wilsonart
Blond Echo; Wilsonart*
Cafelle; Wilsonart*
Figured Mahogany; Wilsonart
Fine Sycamore; Nevamar*
Fonthill Pear; Wilsonart
Kenya Mahogany; Wilsonart*
Leave Likatre; Pionite*
Limber Maple; Wilsonart
Looks Likatre; Pionite*
Monticello Maple; Wilsonart*
Rattan Cane; Formica*
Royal Mahogany; Nevamar*
Skyline Walnut; Wilsonart
Studio Teak; Wilsonart*
Wild Cherry; Wilsonart

HPD LAMINATE CHOICES

Bridal Blanco; Pionite*
Citadel Warp; Formica
Concrete Stone; Formica
Cosmic Strandz; Wilsonart*
Crystal; Wilsonart
Designer White; Wilsonart*
Fog; Formica*
Gesso Tracery; Wilsonart*
Grandiose Grid; Pionite*
Grey; Wilsonart
Just Blue; Formica*
Negotiating Geneva; Pionite*
Sable; Pionite*
Satin Stainless; Wilsonart
Shadow; Wilsonart
Silverline Hautelink; Nevamar*
Storm Solidz - SP; Formica
Tea Stain Spun Yarn; Nevamar*
Vapor Strandz; Wilsonart*

SOLID SURFACE

Arctic Melange; Wilsonart Gibraltar
Avalanche Melange; Wilsonart Gibraltar
Baja Melange; Wilsonart Gibraltar
Beige Tempest; Wilsonart Gibraltar
Concrete; Corian
Deep Bedrock; Corian
Deep Mink; Corian
Designer White, Wilsonart Gibraltar
Dove; Corian
Frosty White Mirage; Wilsonart Gibraltar
Light Beige Mirage; Wilsonart Gibraltar
Maple Harvest; Wilsonart Gibraltar
Milk Glass Spectra, Wilsonart Gibraltar
Mojave Melange; Wilsonart Gibraltar
Northern Melange; Wilsonart Gibraltar
Paris Fog; Wilsonart Gibraltar
Pebble; Wilsonart Earthstone
Quarry Melange; Wilsonart Gibraltar
Raven Mirage; Wilsonart Gibraltar
Steel Gray Tempest; Wilsonart Gibraltar

QUARTZ

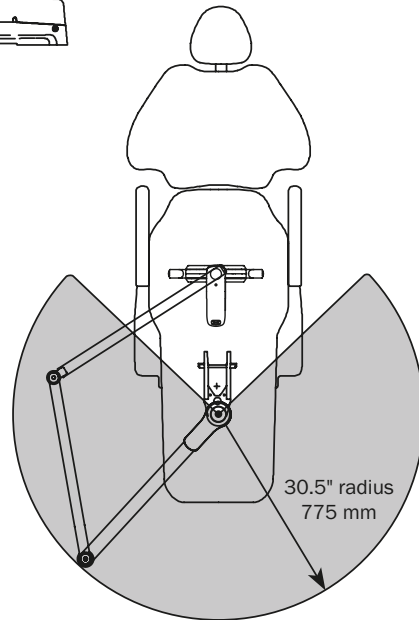
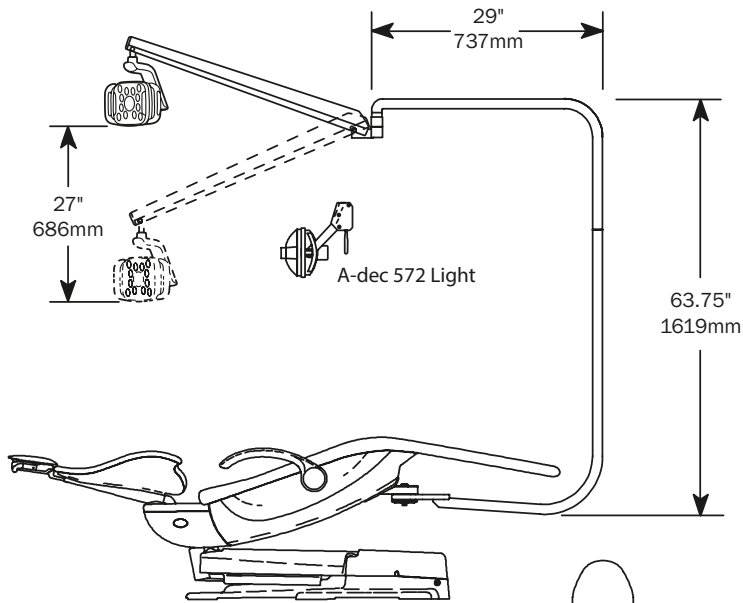
Ashford; Cambria
Bellingham; Cambria
Braemar; Cambria
Bristol Beige; Samsung Radianz
Bora Bora Beige; Samsung Radianz
Buckingham; Cambria
Canterbury; Cambria
Columbia Gray; Samsung Radianz
Darlington; Cambria
Flint Black; Cambria
Mont Blanc Snow; Samsung Radianz
Saltoro Cliff; Samsung Radianz
Sharpam; Cambria
Snowdon White; Cambria
Torquay; Cambria
Victoria; Cambria

NOTE: *Laminate choices not available on cart tops, work surfaces, and Preference Collection countertops.

Dimensions

Note

This catalog represents a sampling of product dimensions. **For the most up to date and complete product specifications, visit the document library on a-dec.com.**

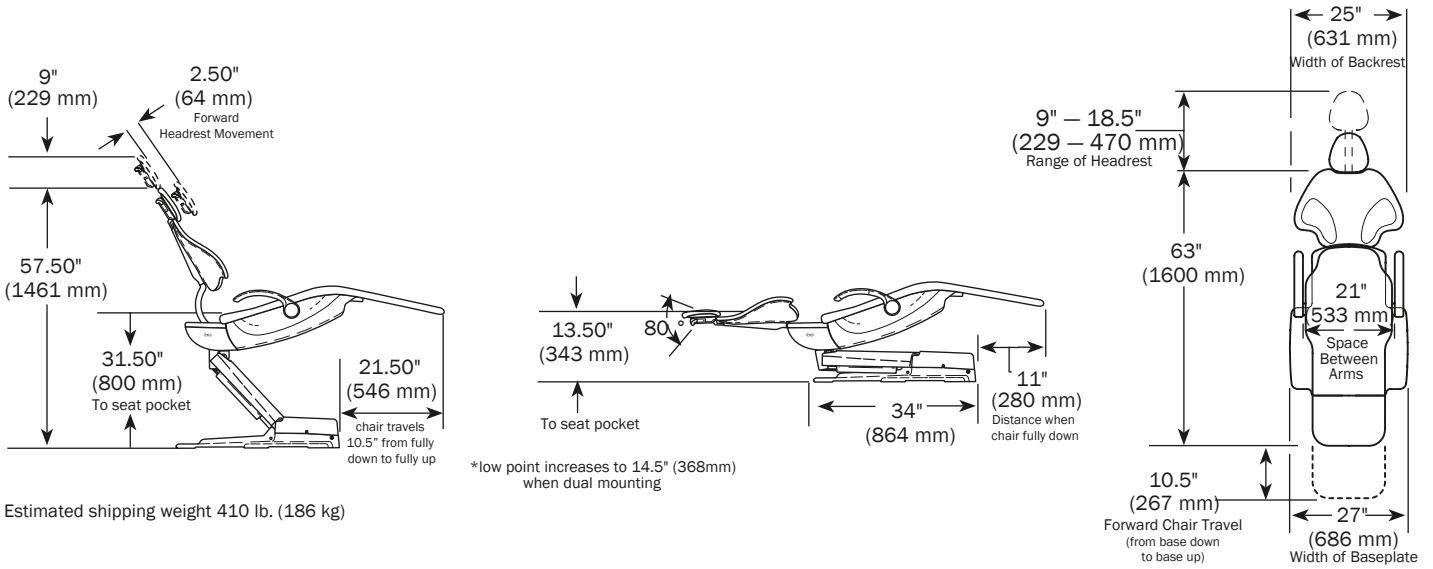


SECTION CONTENTS

A-dec 500	162
A-dec 400	169
A-dec 300	173
A-dec 200	179
Stools	181
Cart Delivery Systems	182
A-dec Dental Lights	183
Monitor Mounts	184
Portable Chair and Delivery Systems	186

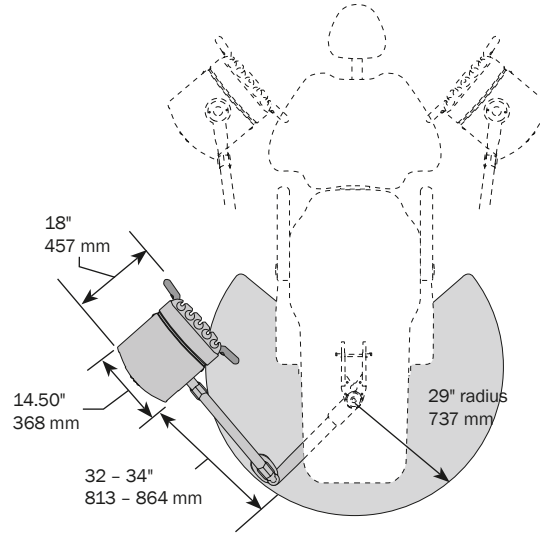
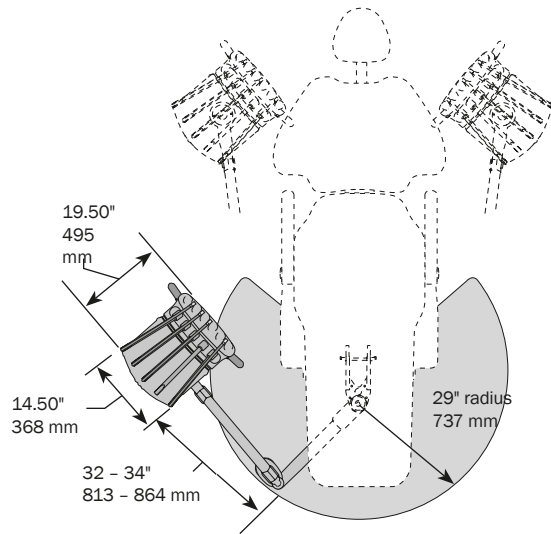
A-dec 500

A-DEC 511 CHAIR

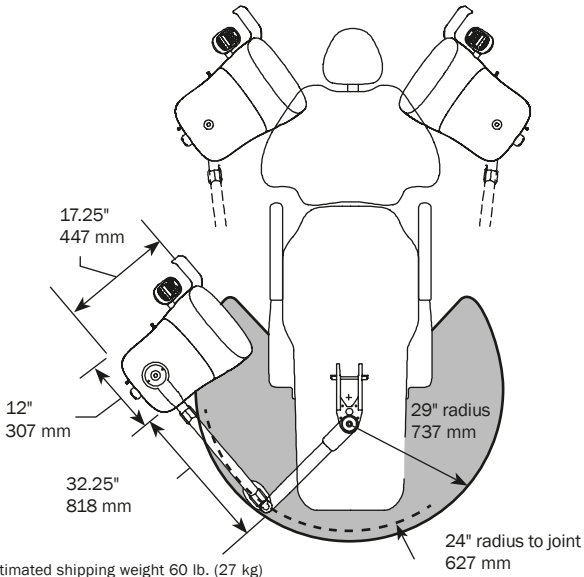


A-DEC 533 CONTINENTAL DELIVERY SYSTEM

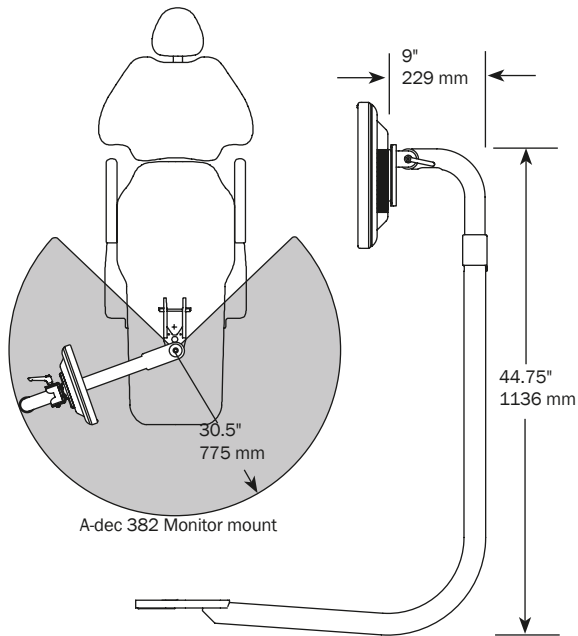
A-DEC 532 TRADITIONAL DELIVERY SYSTEM



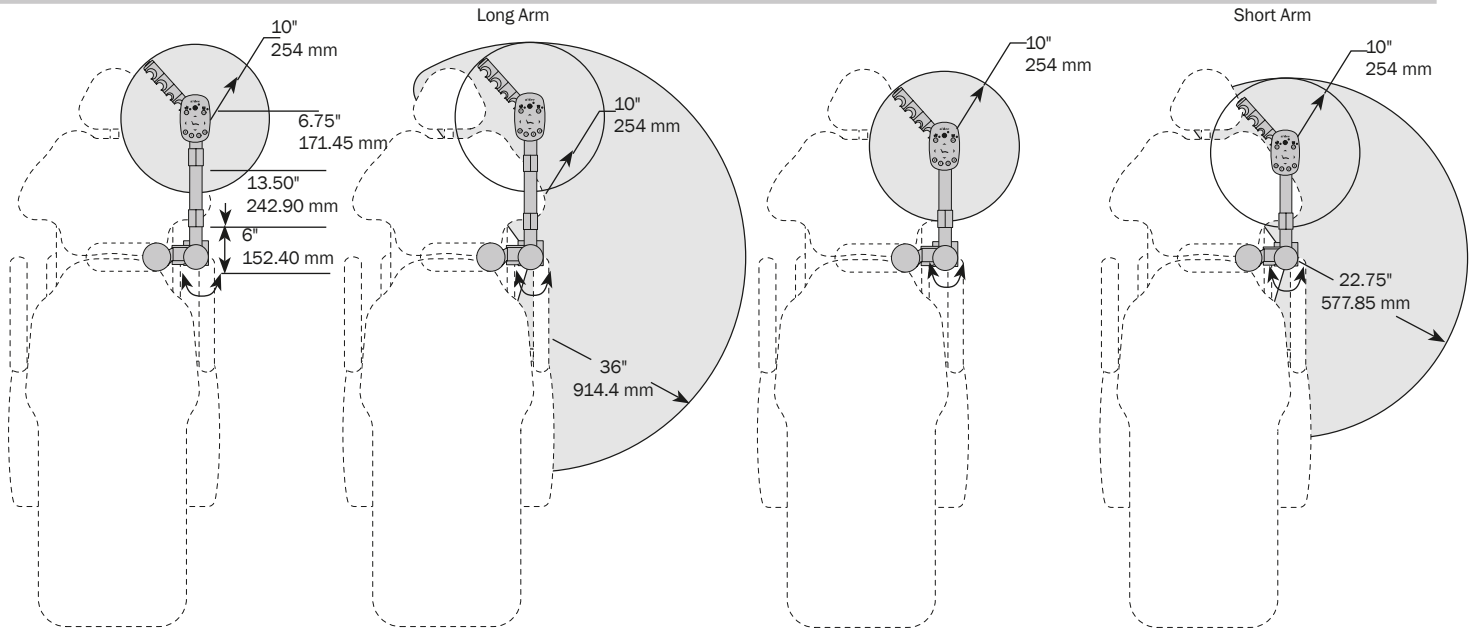
A-DEC 332/333 RADIUS DELIVERY SYSTEM



A-DEC 382 MONITOR MOUNT



A-DEC 551 ASSISTANT'S INSTRUMENTATION

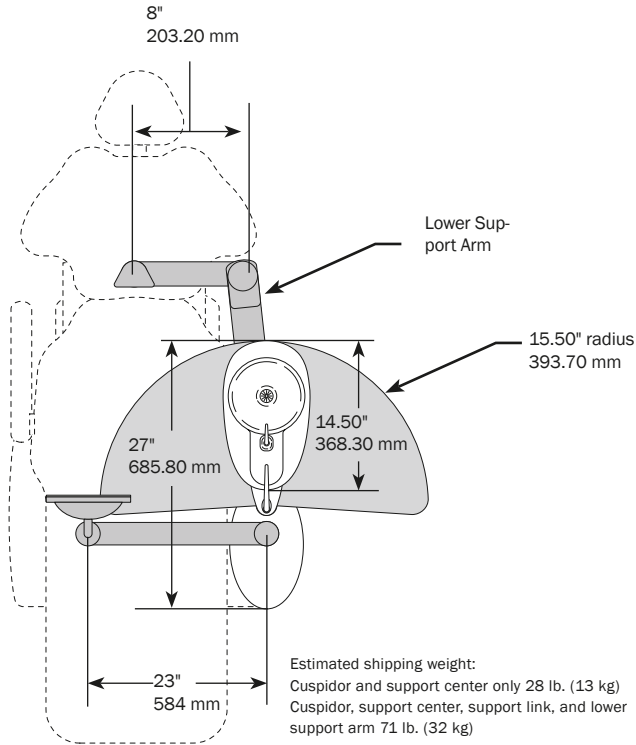


Estimated shipping weight: Assistant's arm only 20 lb. (9 kg)
 Assistant's arm with support link 38 lb. (17 kg)

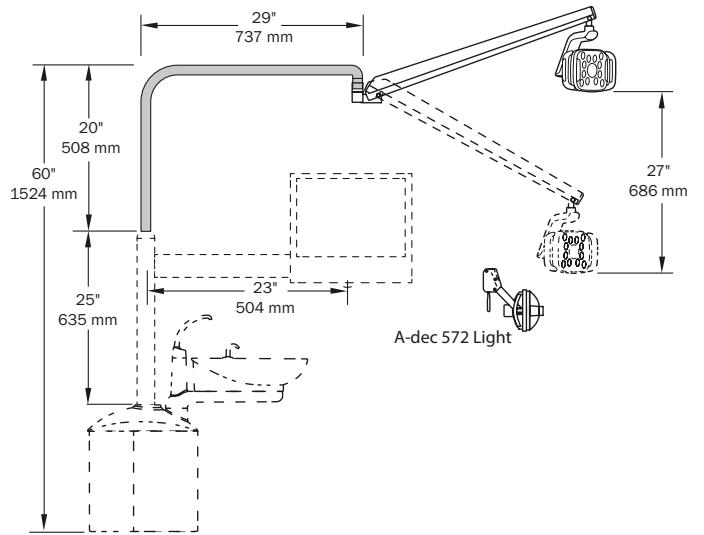
A-dec 500

(LED Head shown where available)

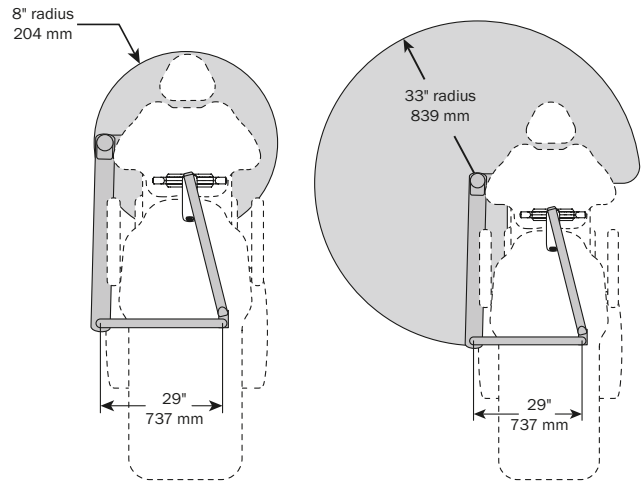
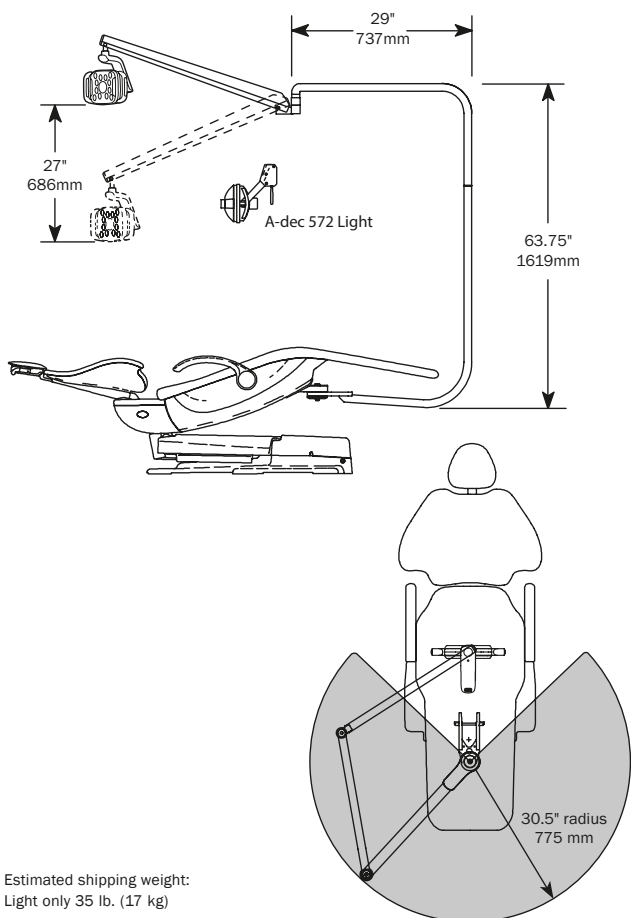
A-DEC 561 CUSPIDOR WITH SUPPORT CENTER



A-DEC 571L/571 DENTAL LIGHT



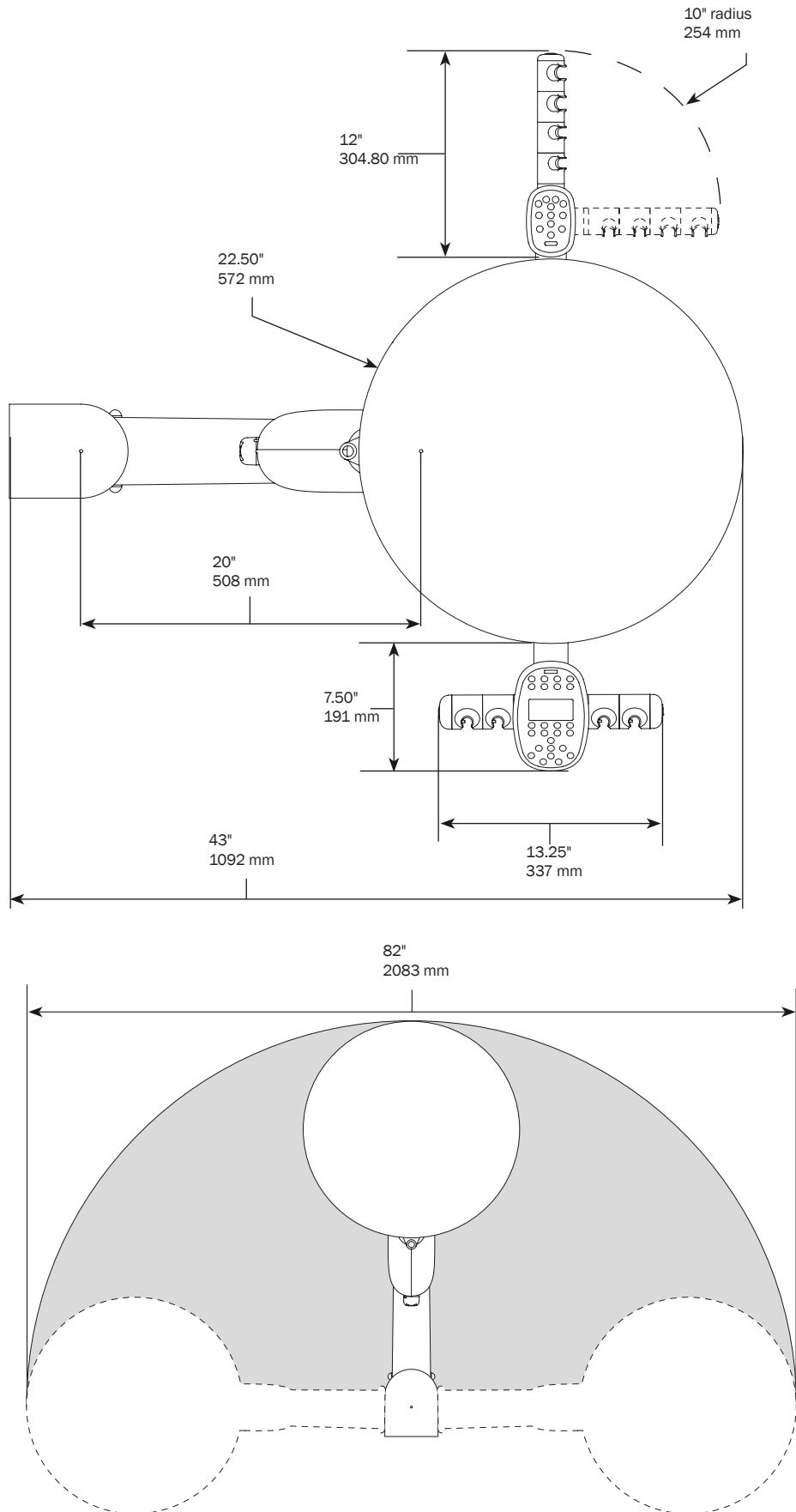
A-DEC 572L/572 DENTAL LIGHT



Estimated shipping weight:
Light only 35 lb. (17 kg)
Light, support link, and lower support arm 80 lb. (36 kg)
Monitor mount with support link and lower support arm 76 lb. (35 kg)
Monitor tray holder 9 lb. (4 kg)

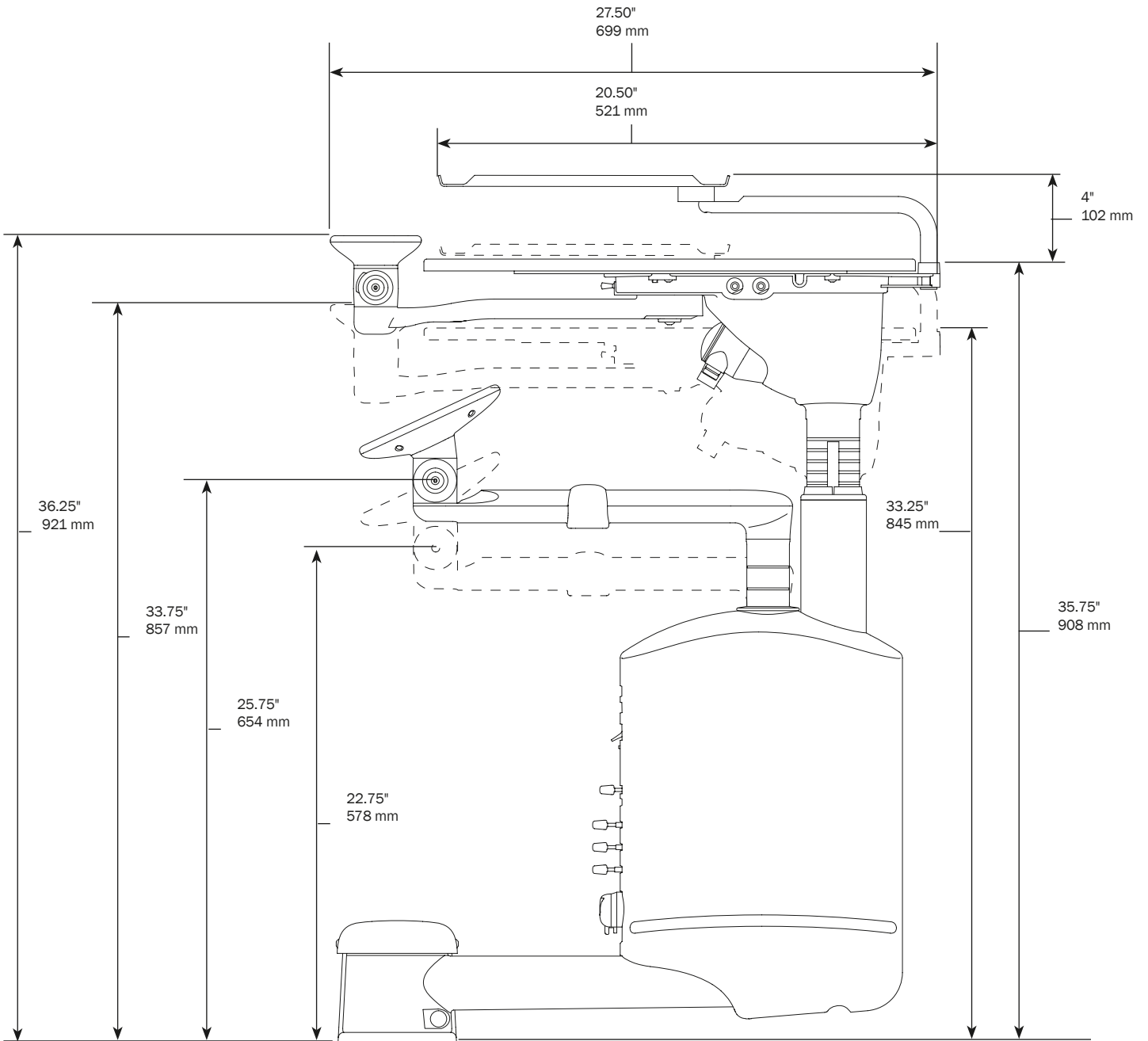
A-dec 500

A-DEC 541 12 O'CLOCK DUO DELIVERY SYSTEM AND 545 ASSISTANT'S INSTRUMENTATION



A-dec 500

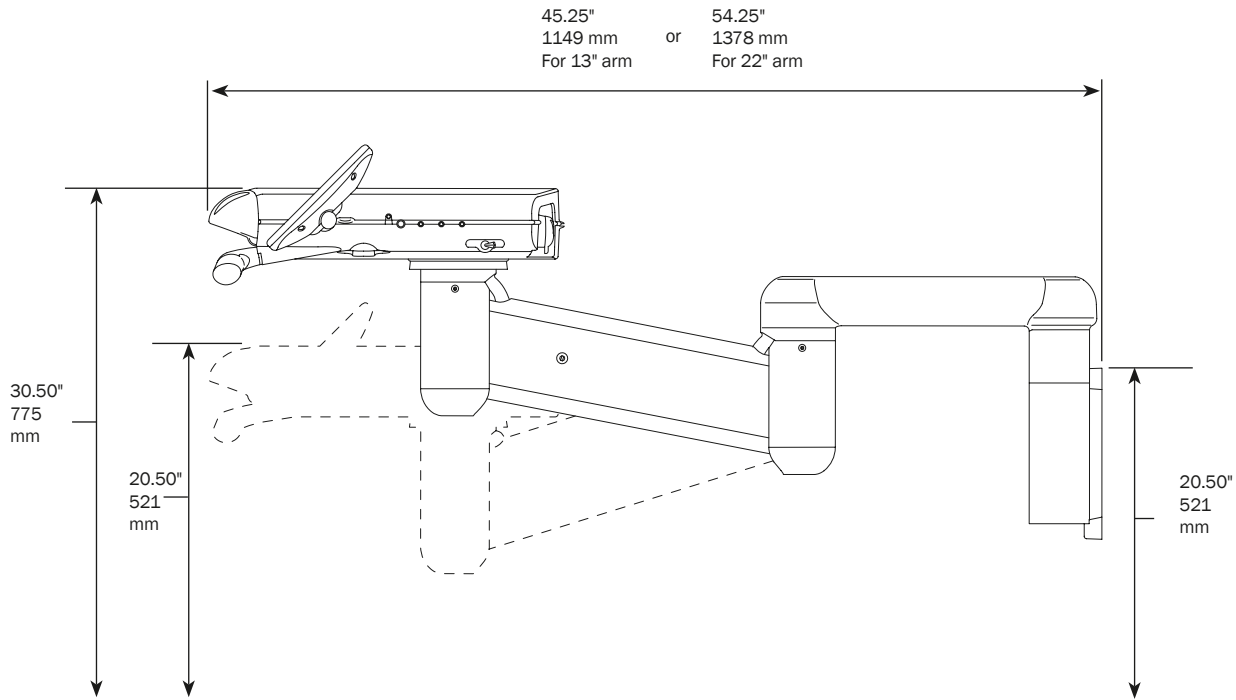
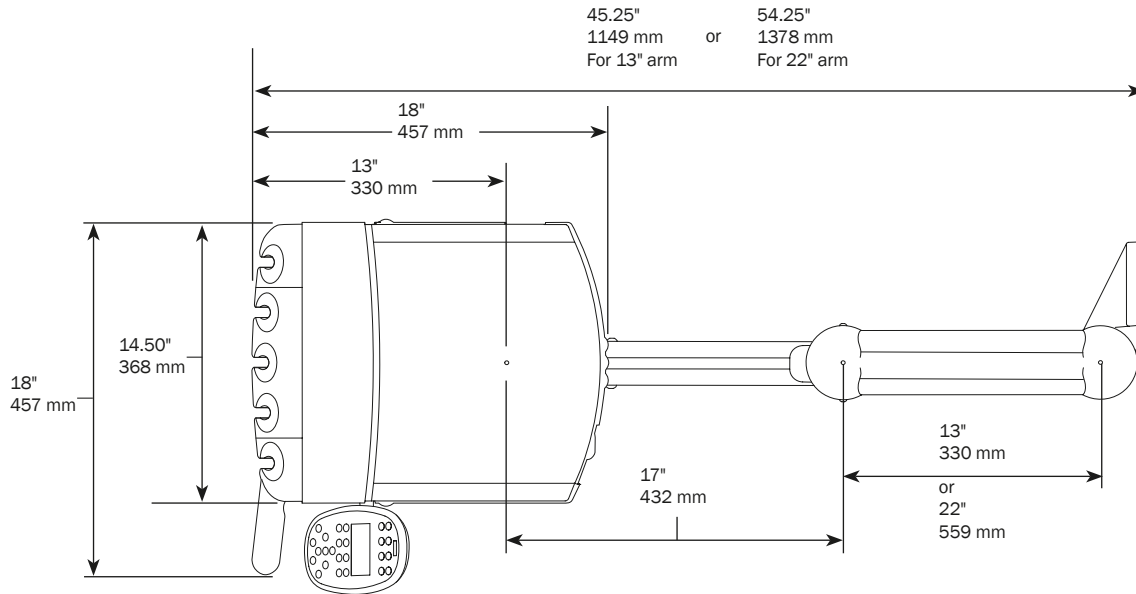
A-DEC 541 12 O'CLOCK DUO DELIVERY SYSTEM AND 545 ASSISTANT'S INSTRUMENTATION



Estimated shipping weight:
A-dec 541 delivery system 99 lb. (55 kg)
A-dec 545 assistant's instrumentation
89 lb. (40 kg)

A-dec 500

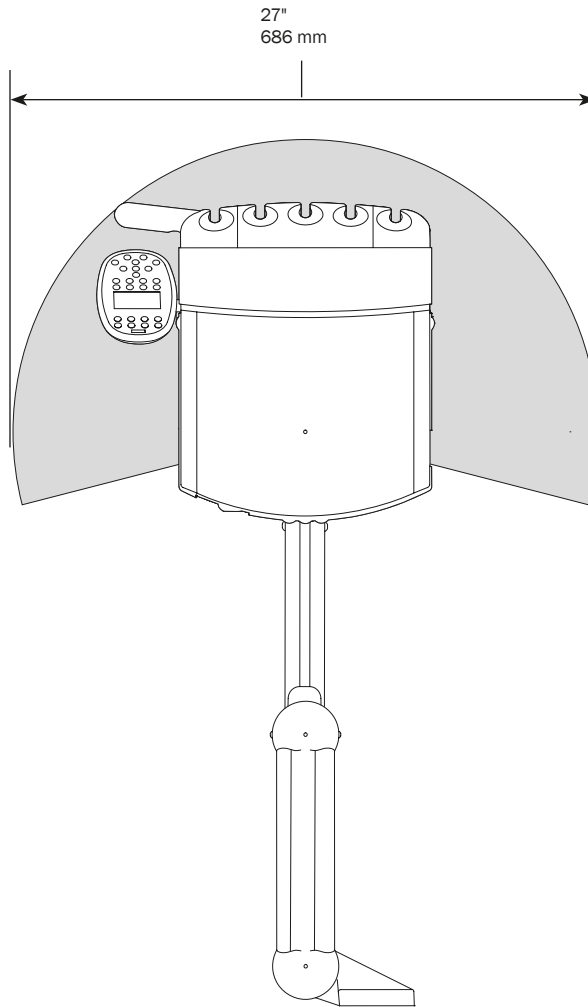
A-DEC 542 SIDE DELIVERY SYSTEM



Estimated shipping weight:
A-dec 542 delivery system
94 lb. (43 kg)

A-dec 500

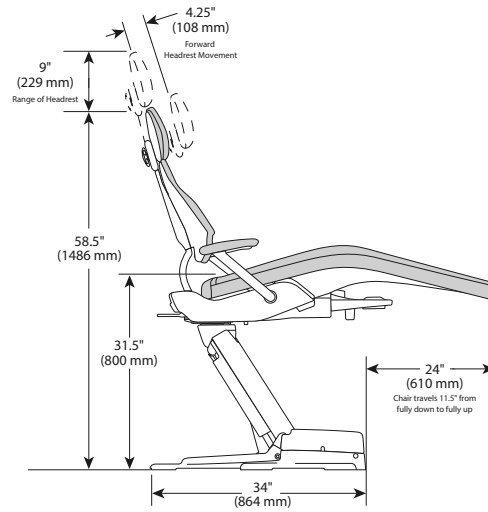
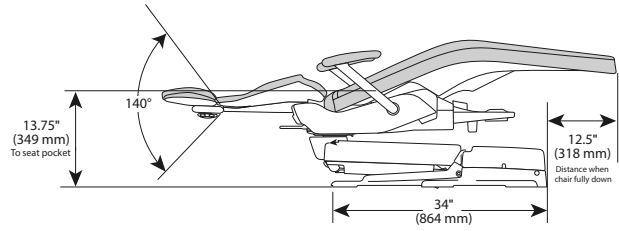
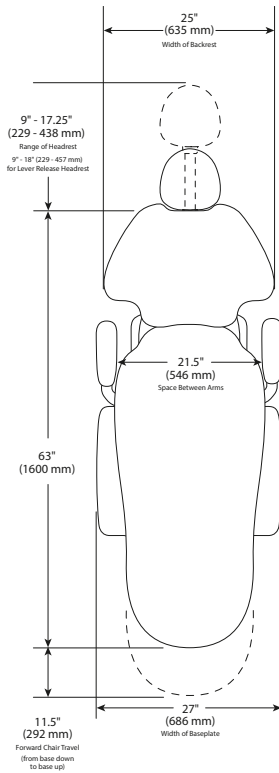
A-DEC 542 SIDE DELIVERY SYSTEM



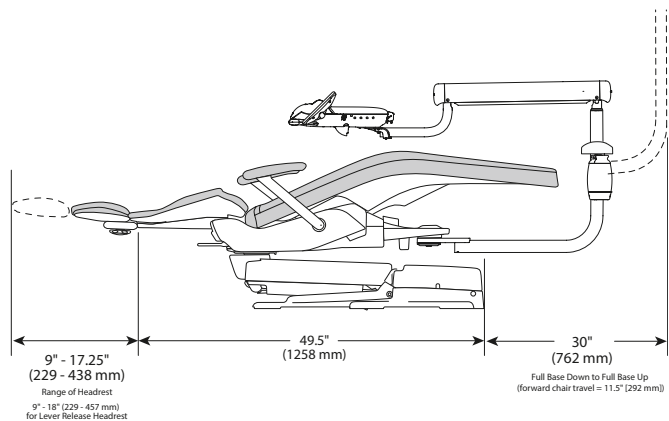
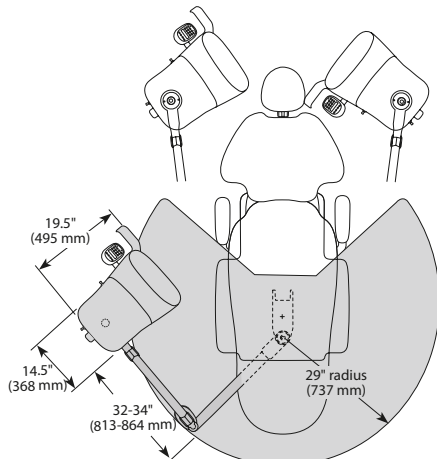
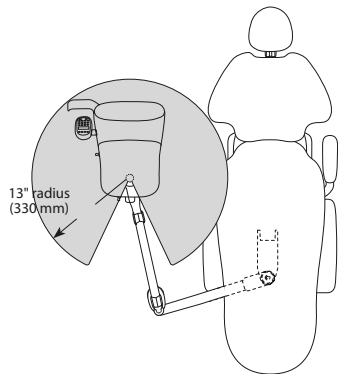
Estimated shipping weight:
A-dec 542 delivery system
94 lb. (43 kg)

A-dec 400

A-DEC 411 CHAIR

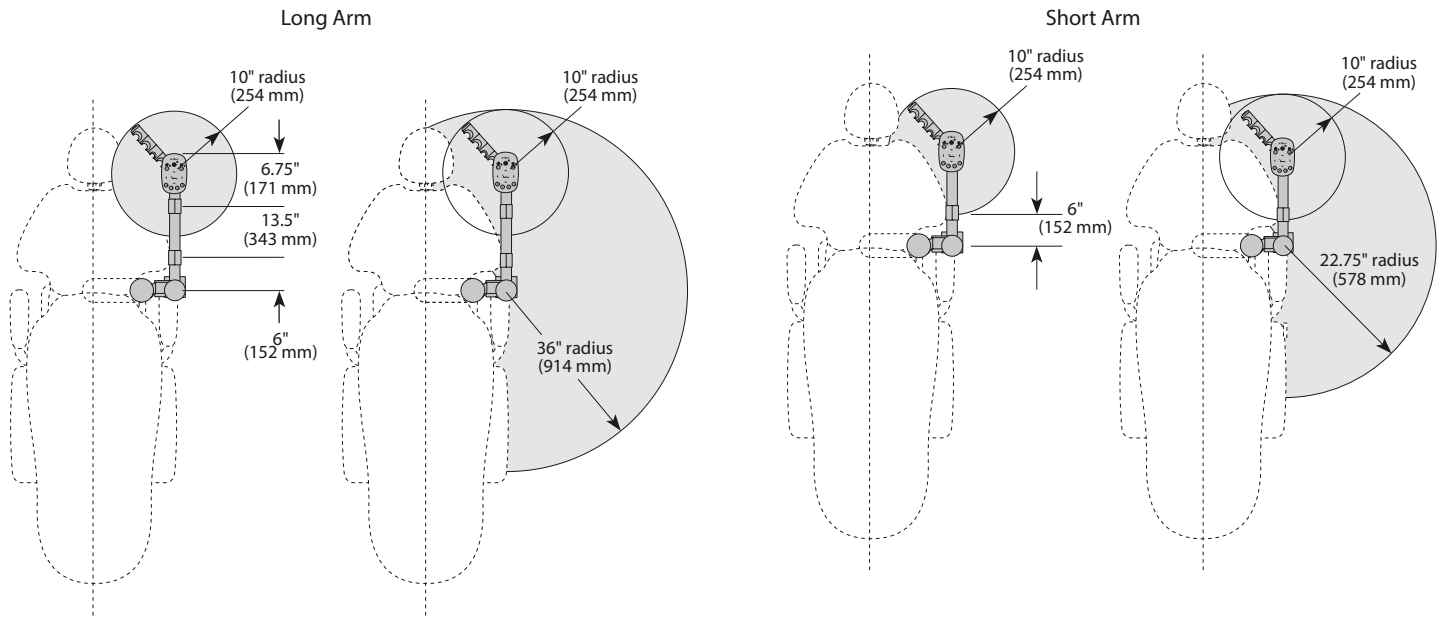


A-DEC 332/333 RADIUS DELIVERY SYSTEM

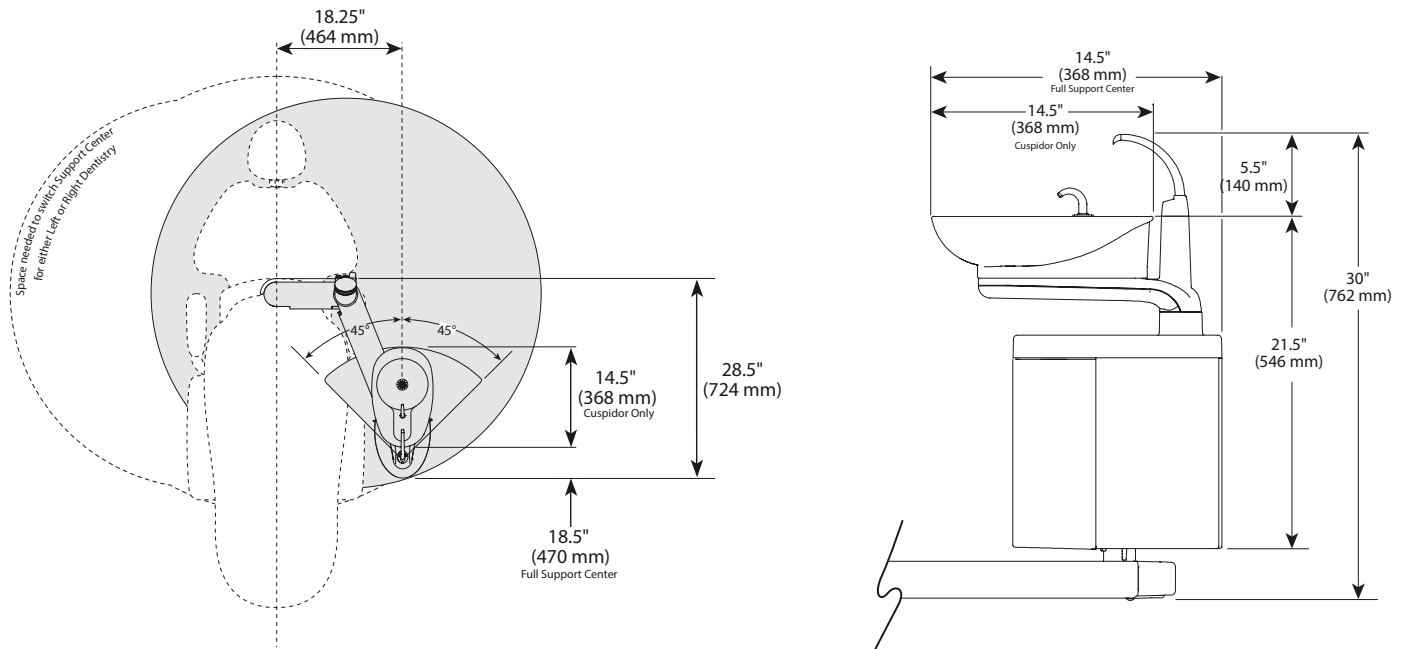


A-dec 400

A-DEC 551 ASSISTANT'S INSTRUMENTATION

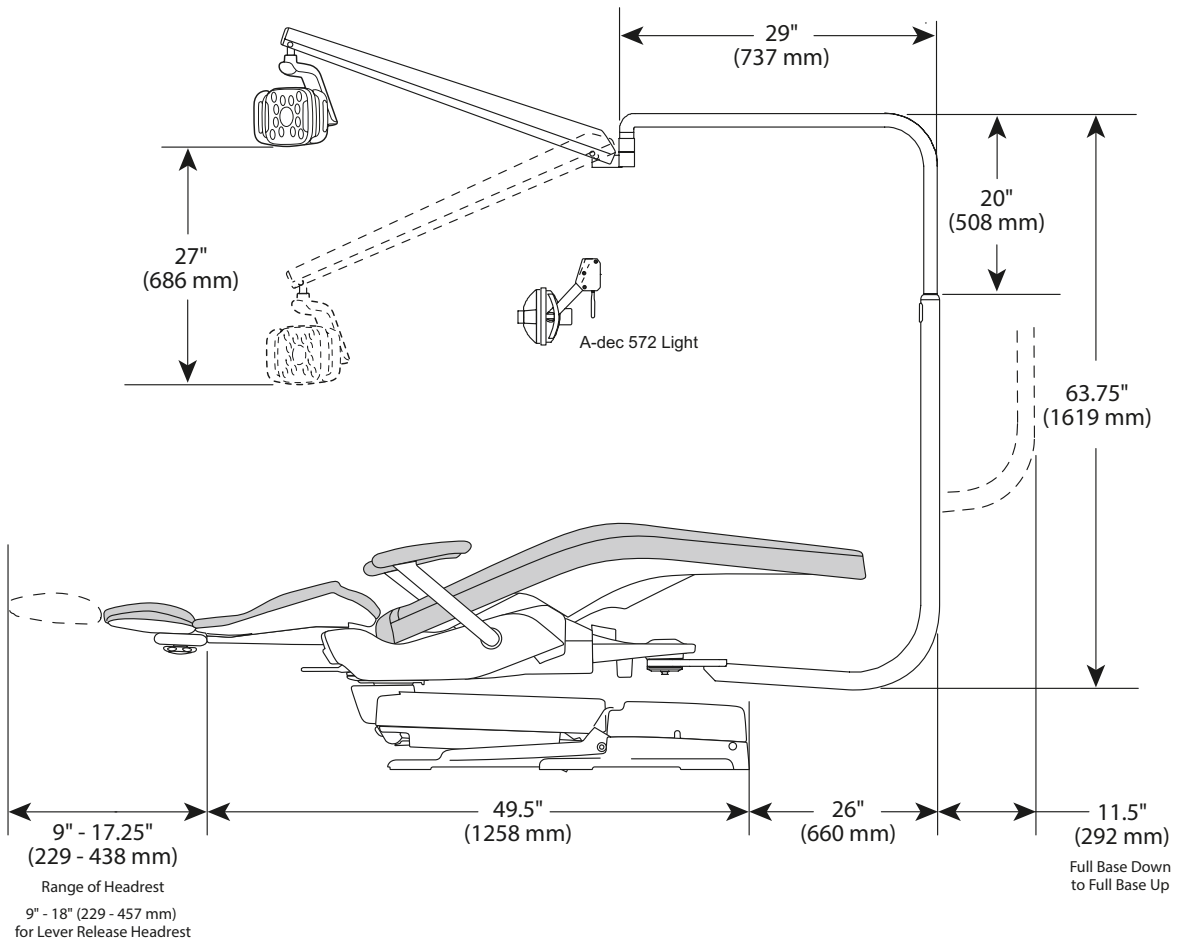
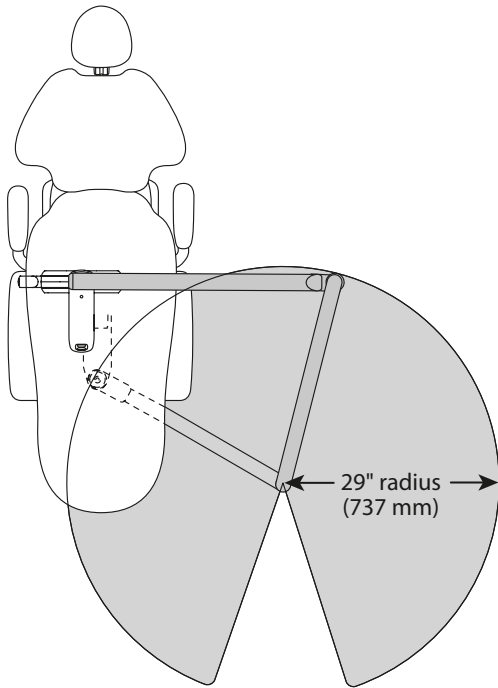


A-DEC 461 CUSPIDOR WITH SUPPORT CENTER



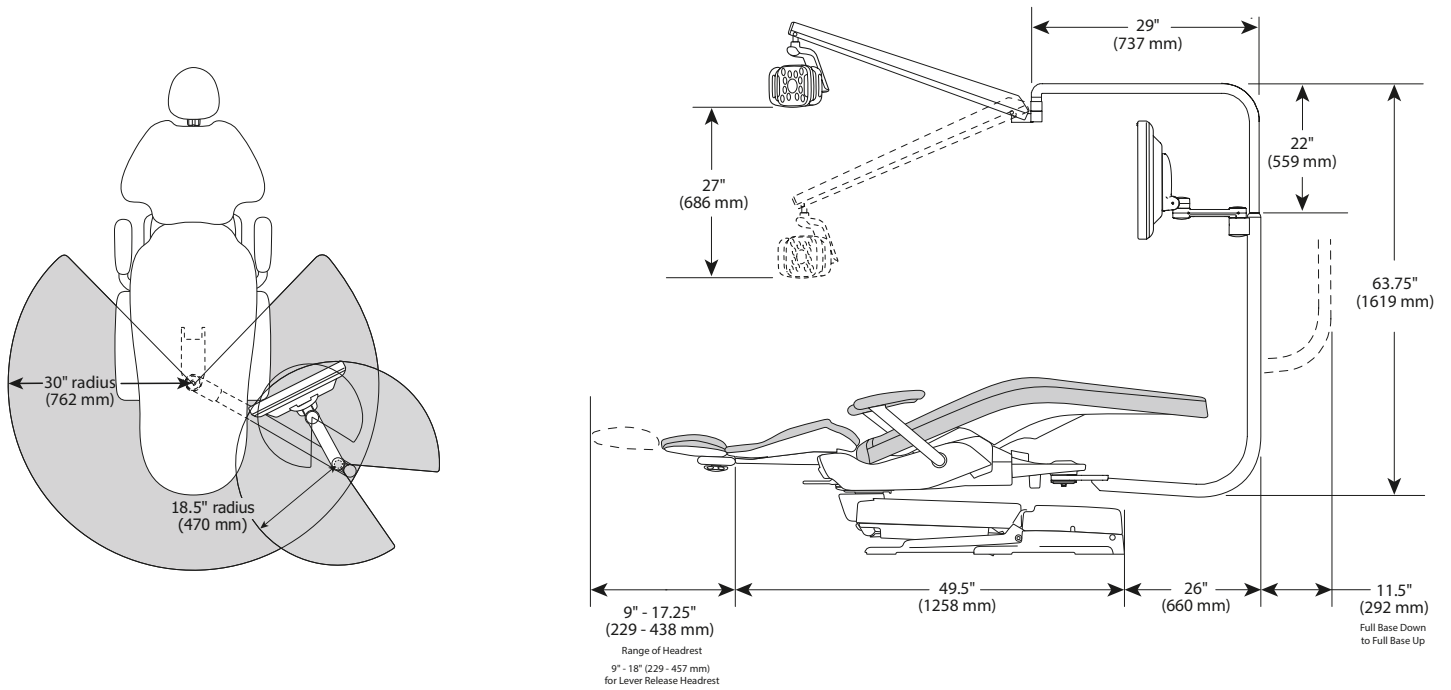
A-dec 400

A-DEC 572/ 572L DENTAL LIGHT

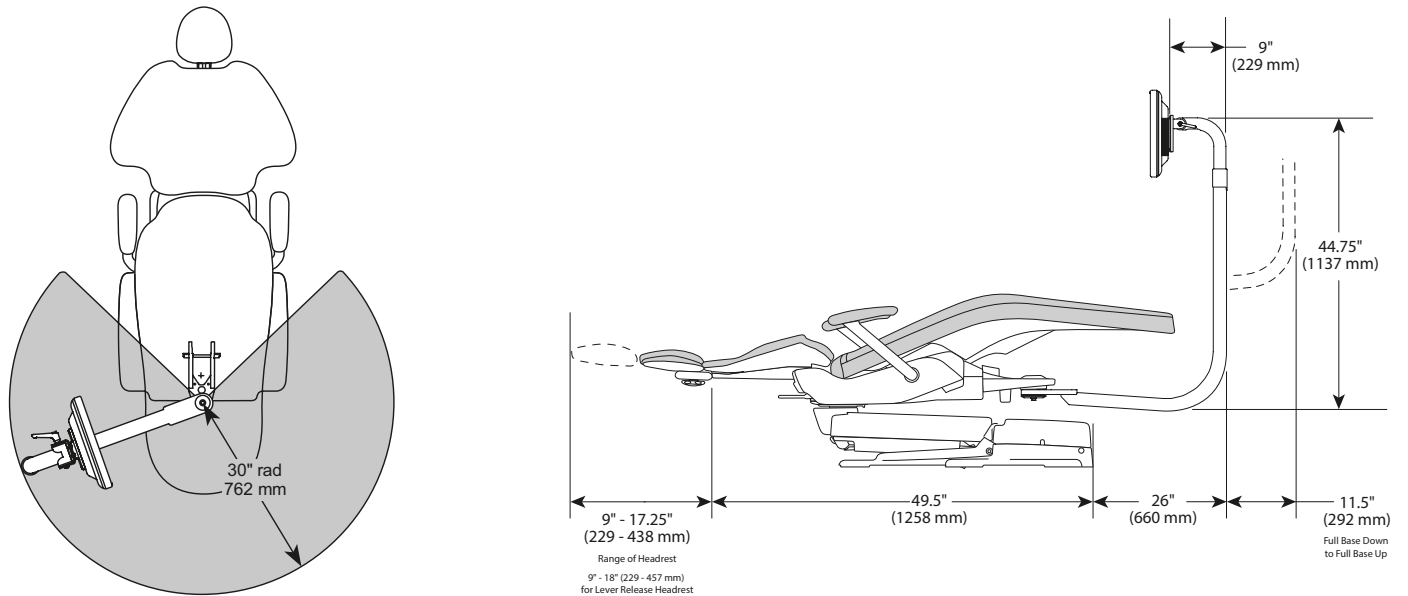


A-dec 400

A-DEC 482 MONITOR MOUNT WITH DENTAL LIGHT

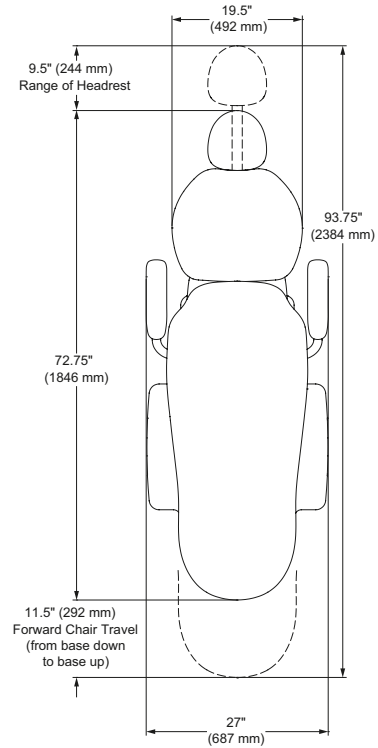
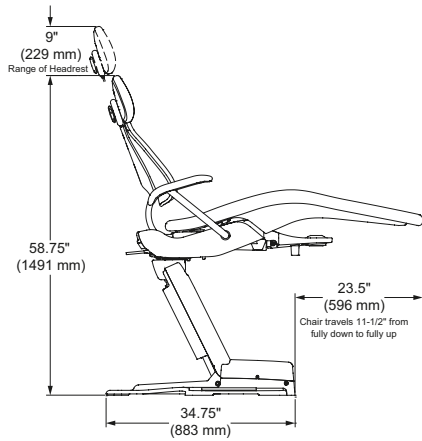
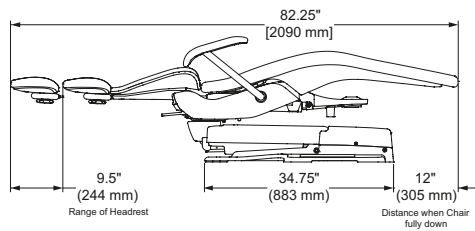


A-DEC 382 RADIUS MONITOR MOUNT



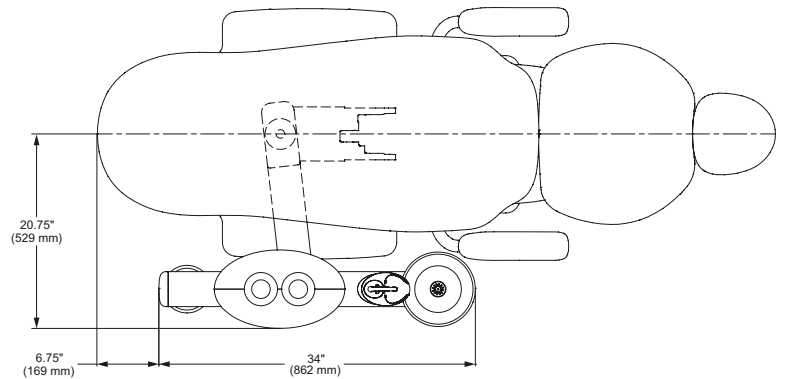
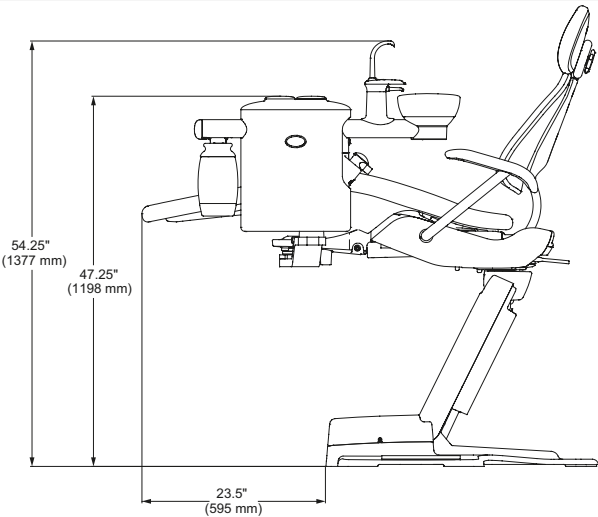
A-dec 300

A-DEC 311 CHAIR WITH DUAL-ARTICULATING GLIDING HEADREST



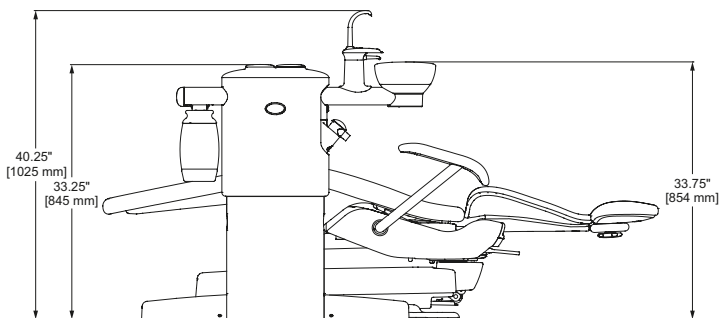
Estimated shipping weight 401 lb. (182 kg)

A-DEC 362 POST MOUNT SUPPORT CENTER

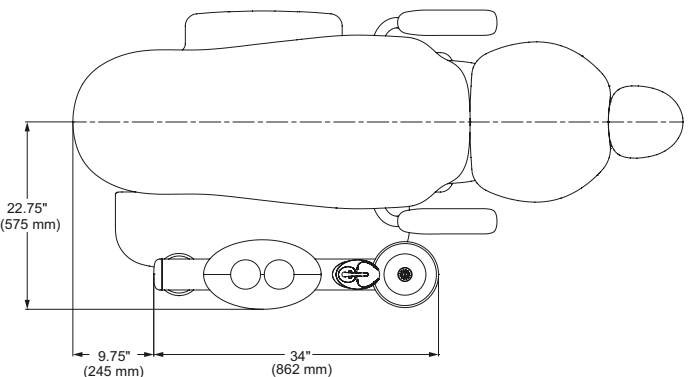


Estimated shipping weight 84 lb. (38 kg)

A-DEC 363 PEDESTAL MOUNT SUPPORT CENTER

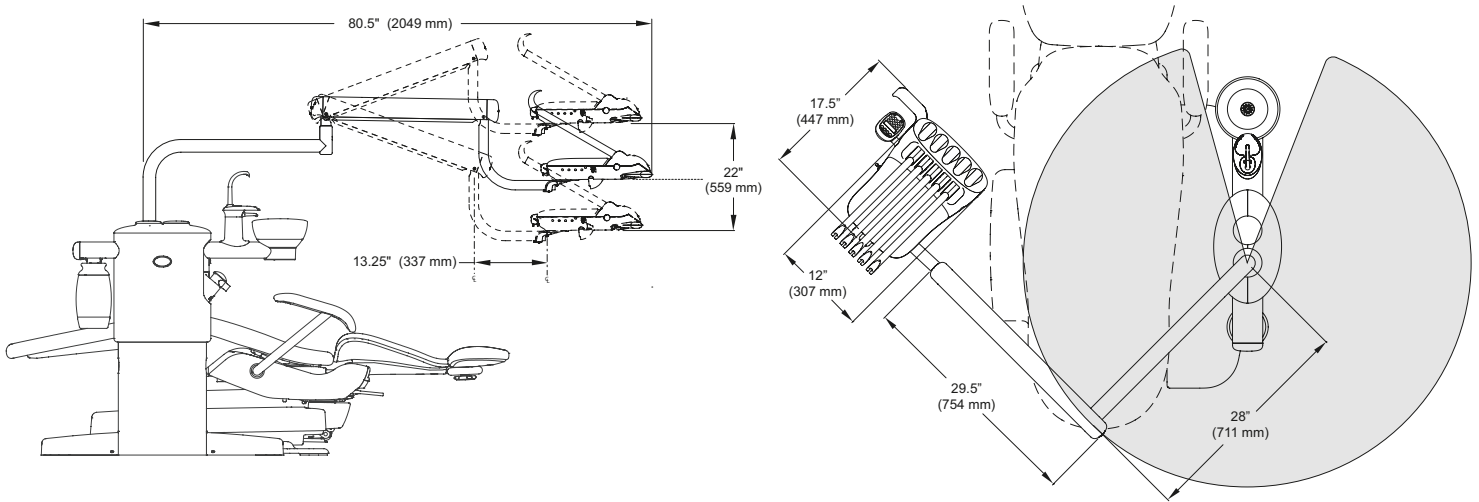


Estimated shipping weight 73 lb. (33 kg)

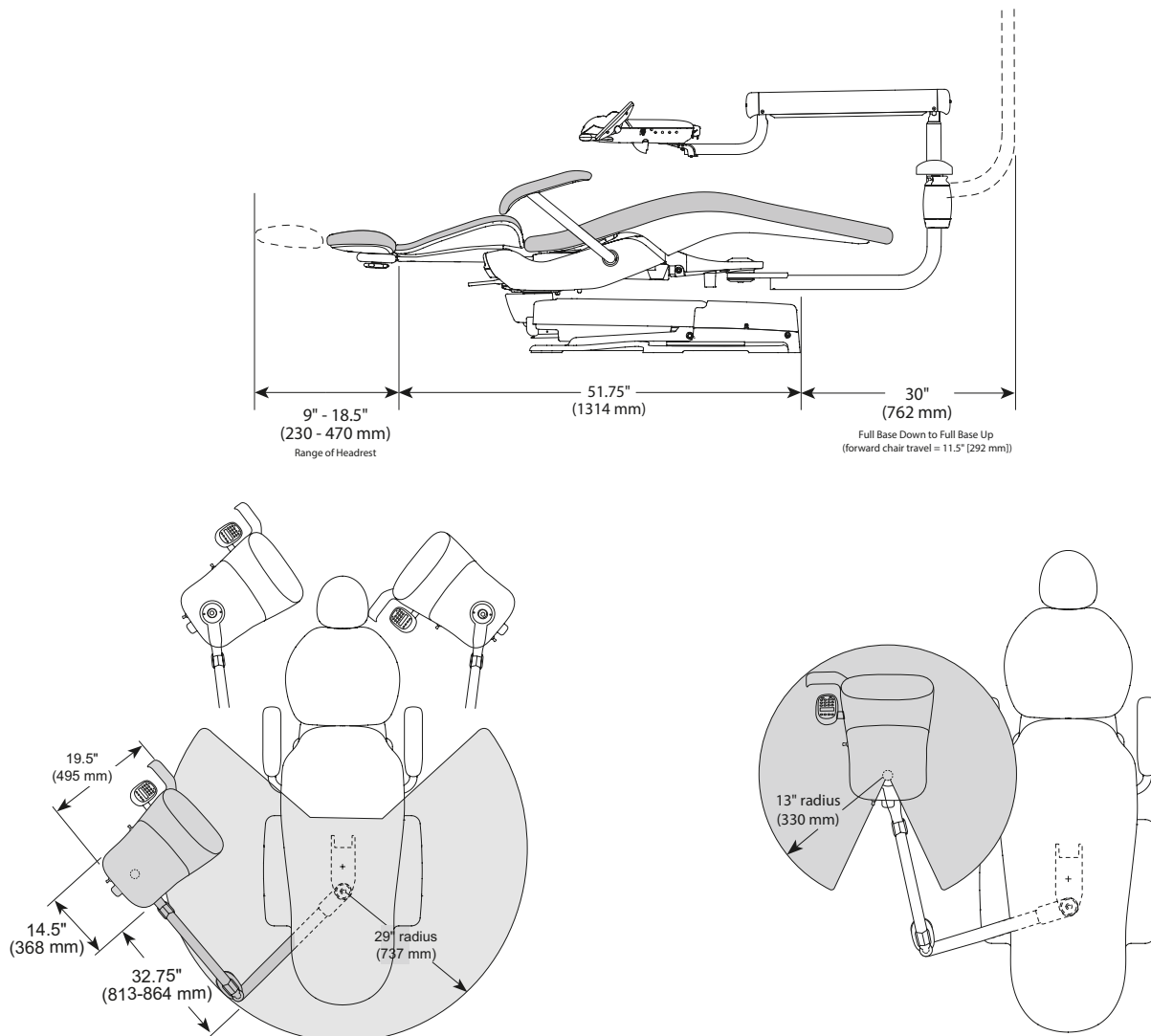


A-dec 300

A-DEC 334 TRADITIONAL AND 335 CONTINENTAL SUPPORT-MOUNT DELIVERY SYSTEM



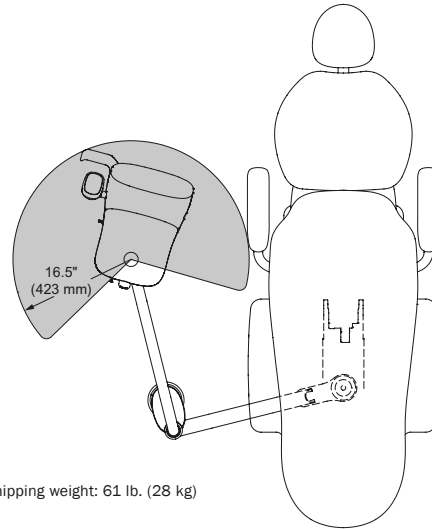
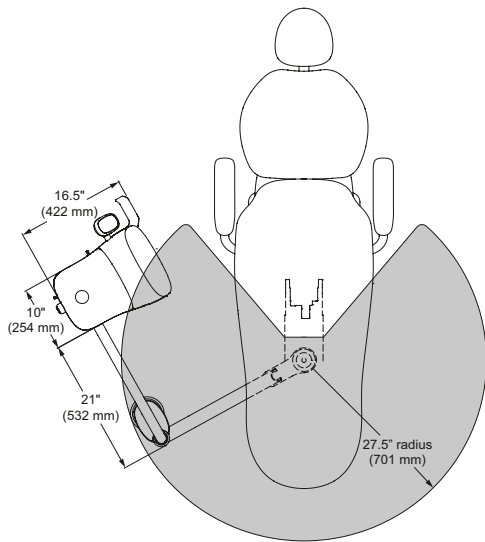
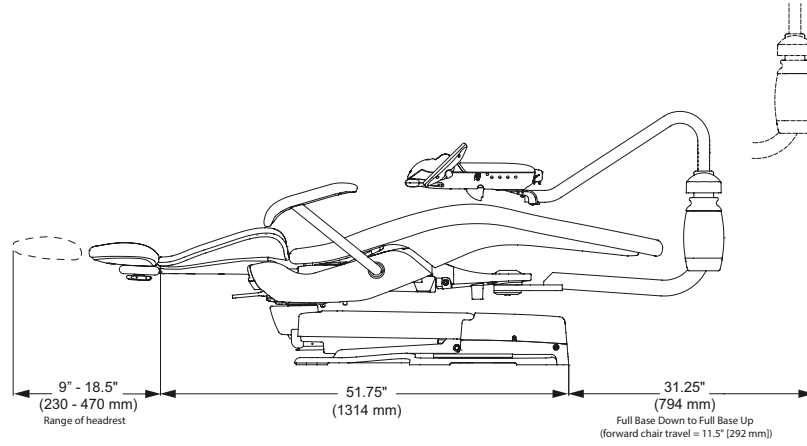
A-DEC 332 TRADITIONAL AND 333 CONTINENTAL RADIUS STYLE DELIVERY SYSTEM



Estimated shipping weight:
 332/334 - 61 lb. (28 kg)
 333/335 - 55 lb. (25 kg)

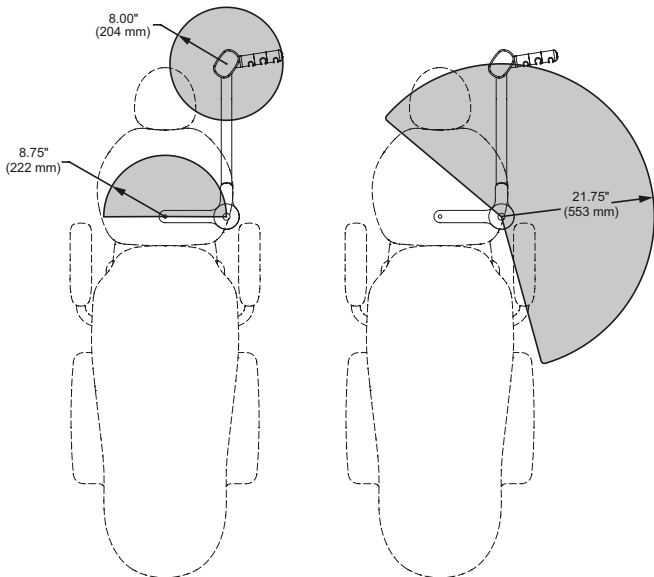
A-dec 300

A-DEC 336 TRADITIONAL RADIUS STYLE DELIVERY SYSTEM



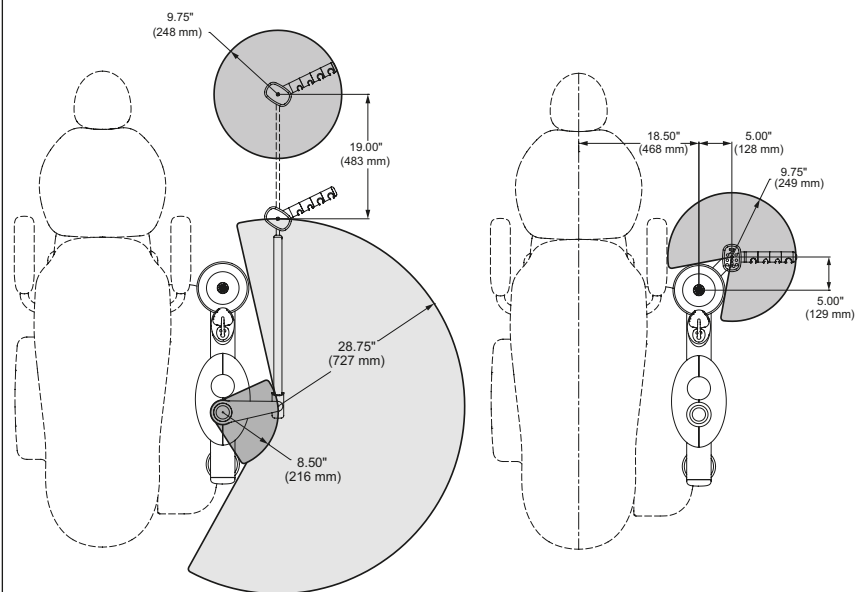
Estimated shipping weight: 61 lb. (28 kg)

A-DEC 351 ASSISTANT'S INSTRUMENTATION



Estimated shipping weight: 28 lb. (13 kg)

A-DEC 352/353 ASSISTANT'S INSTRUMENTATION

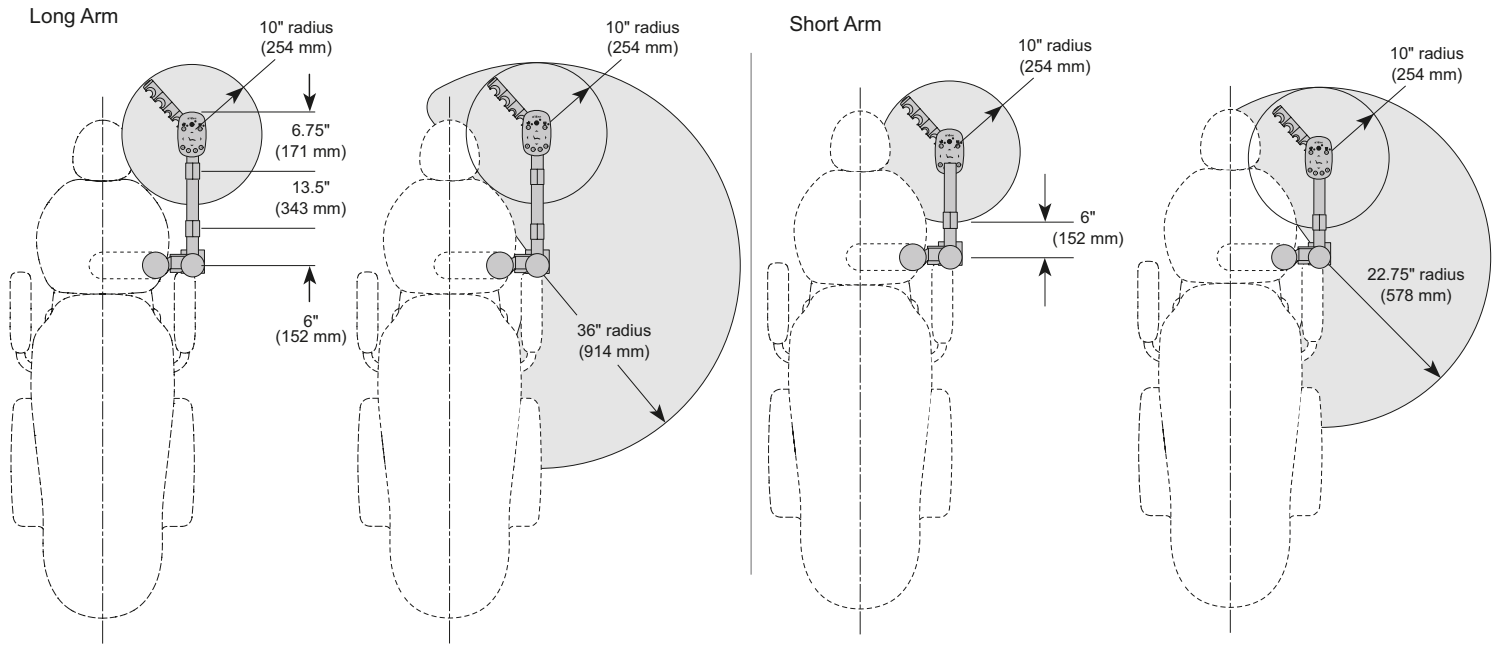


Estimated shipping weight: 352 - 15 lb. (7 kg)

Estimated shipping weight: 353 - 7 lb. (3 kg)

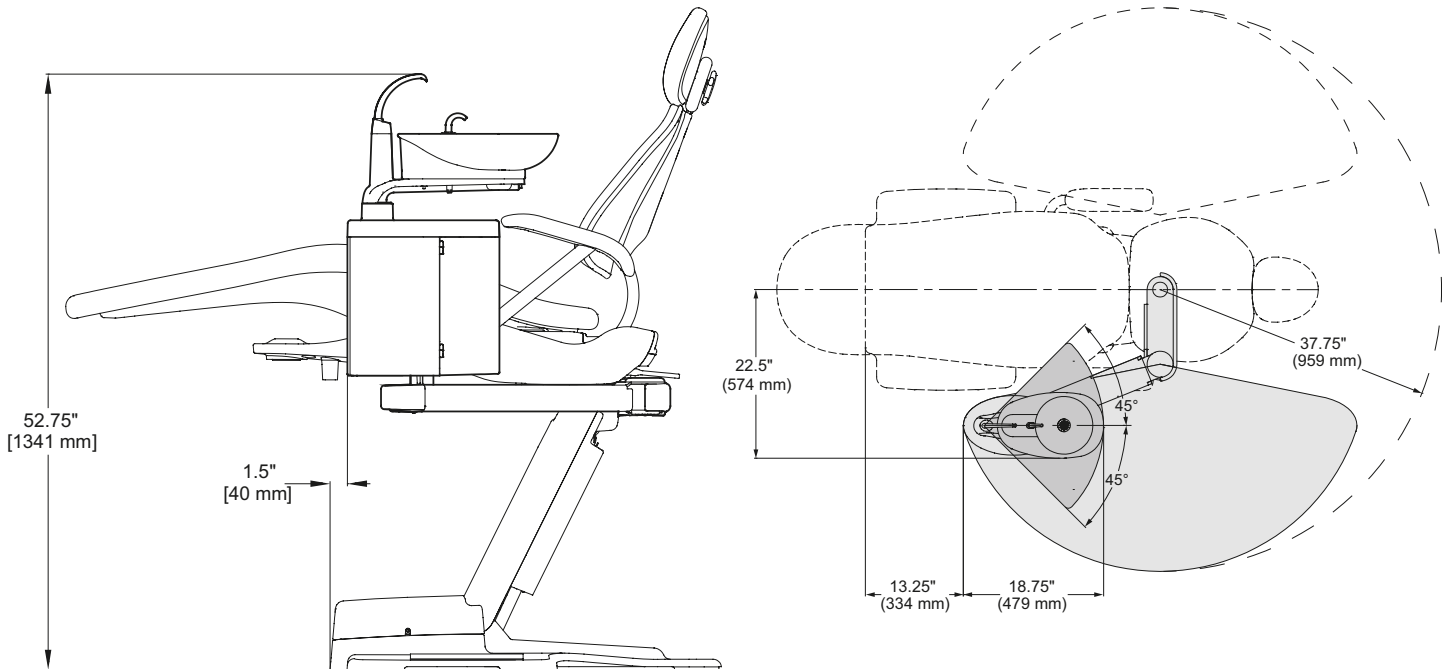
A-dec 300

A-DEC 551 ASSISTANT'S INSTRUMENTATION ON 311



Estimated shipping weight: 39 lb. (18 kg)

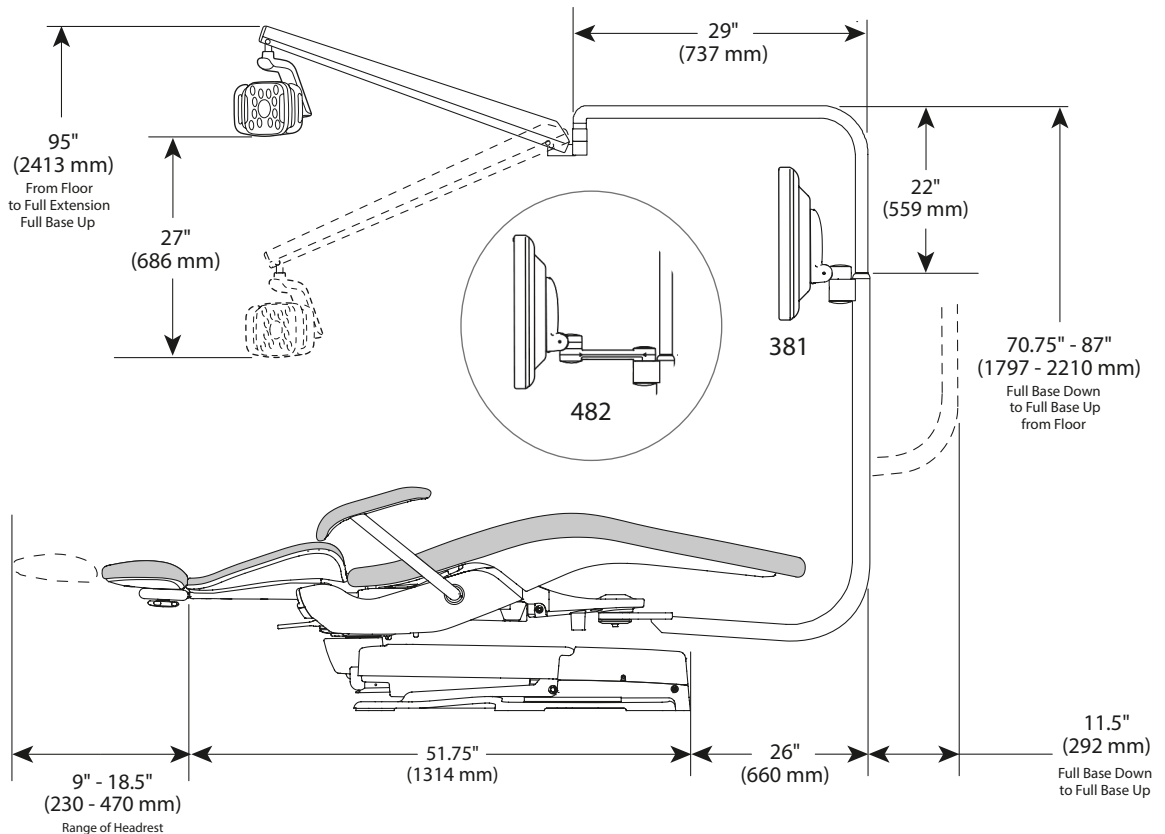
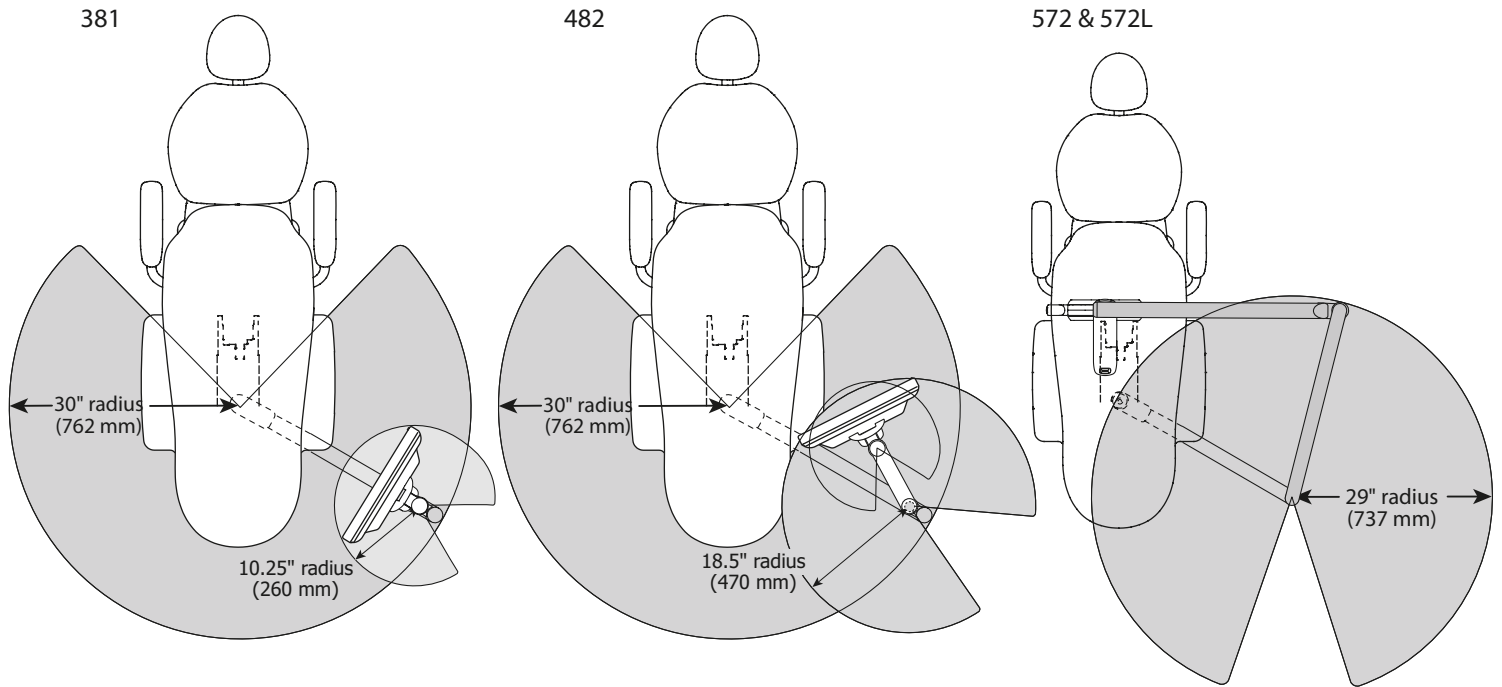
A-DEC 461 SUPPORT CENTER AND CUSPIDOR ON 311



Estimated shipping weight: 66 lb. (30 kg)

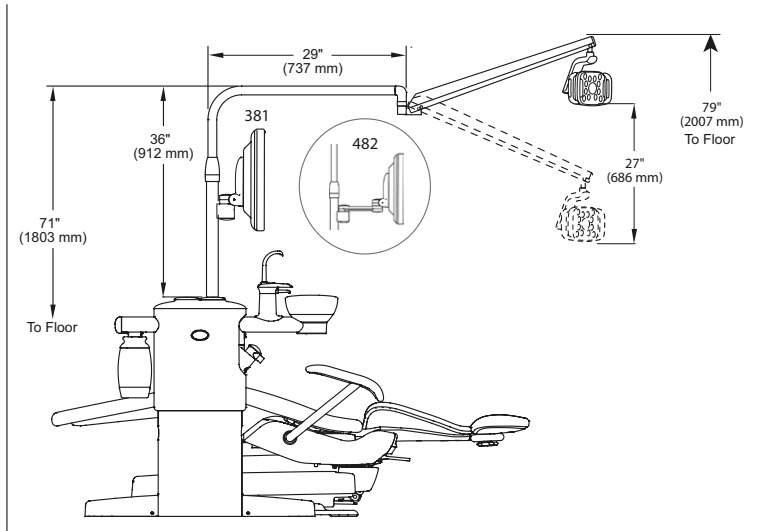
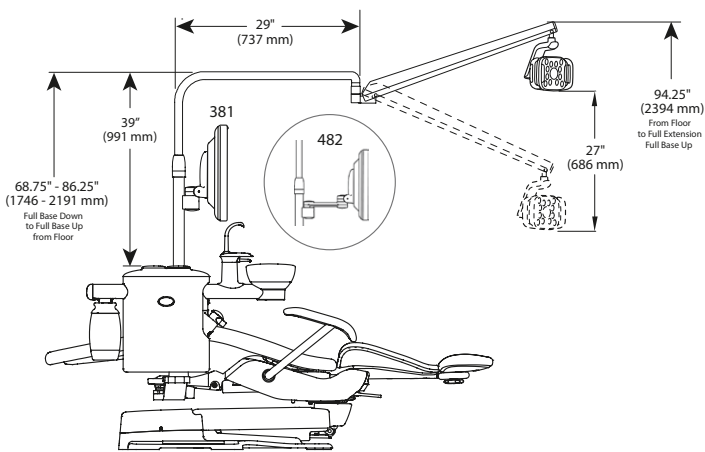
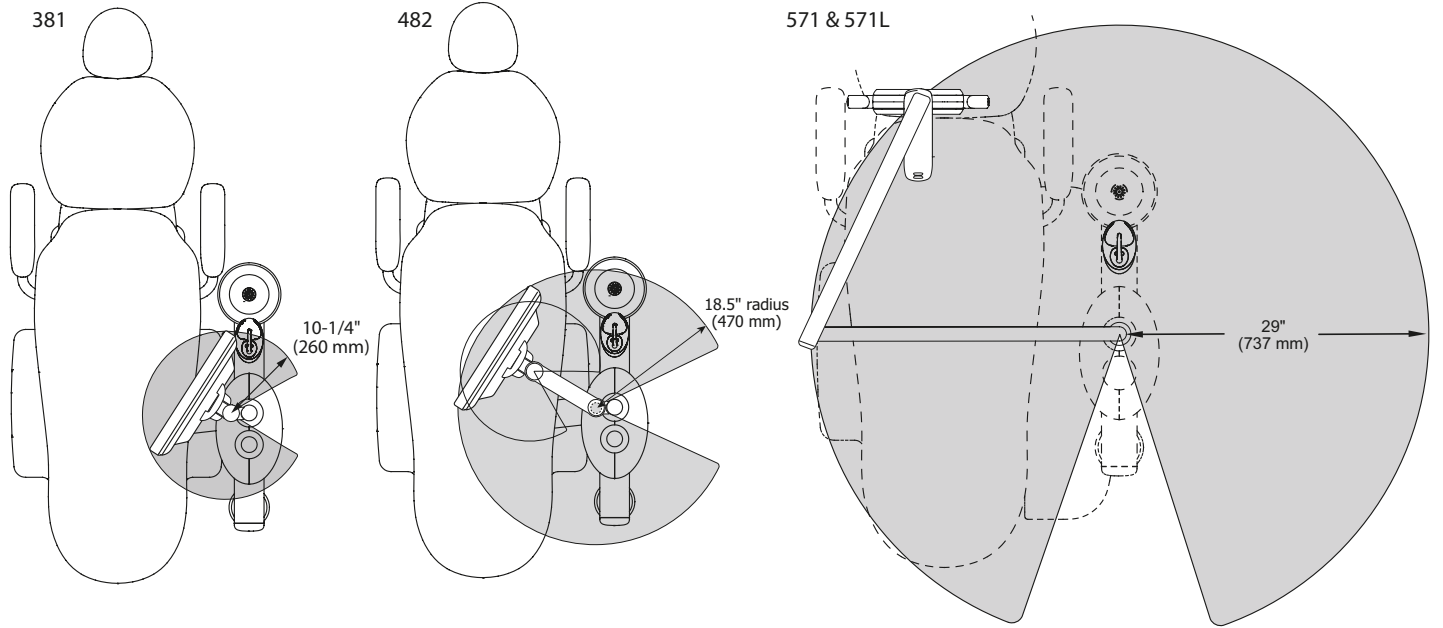
A-dec 300

A-DEC 381/482 MONITOR MOUNT WITH 572/572L DENTAL LIGHT

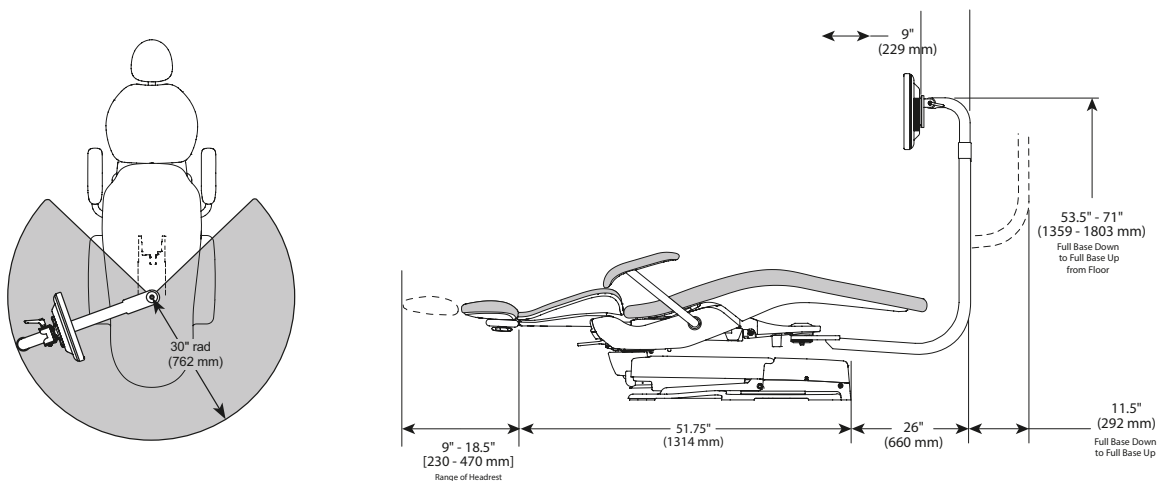


A-dec 300

A-DEC 381/482 MONITOR MOUNT ON 362 AND 363 WITH 571/571L DENTAL LIGHT

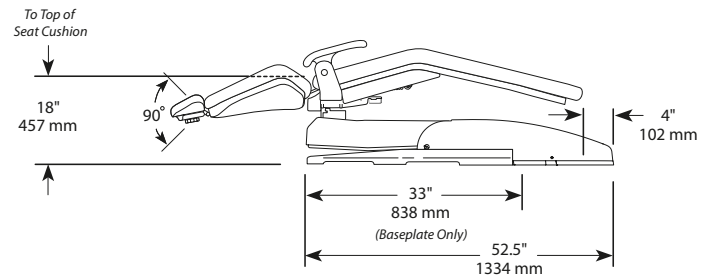
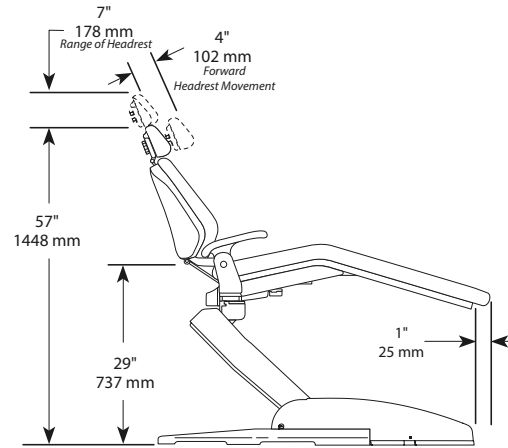
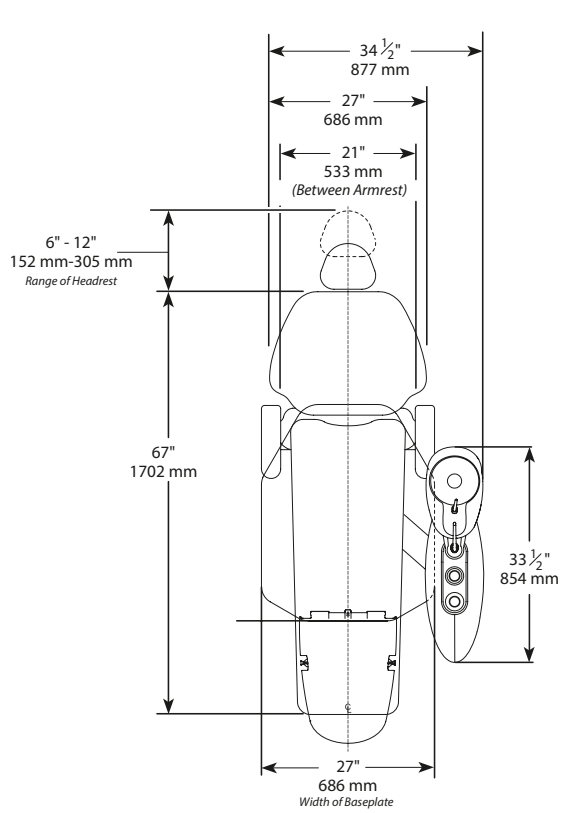


A-DEC 382 MONITOR MOUNT

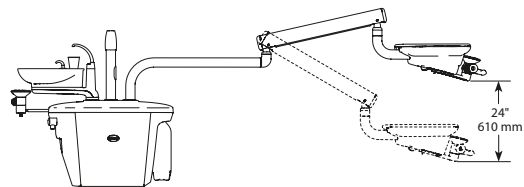
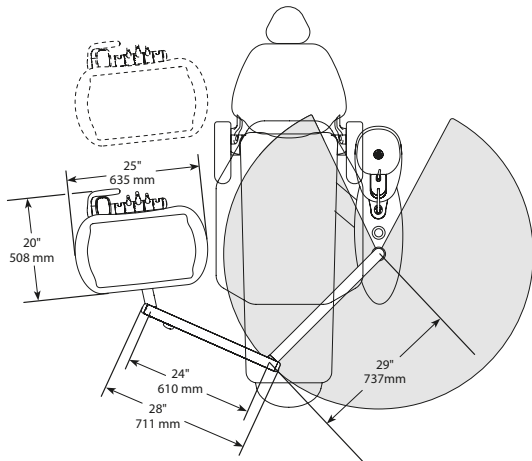


A-dec 200

A-DEC 200 CHAIR WITH SUPPORT CENTER



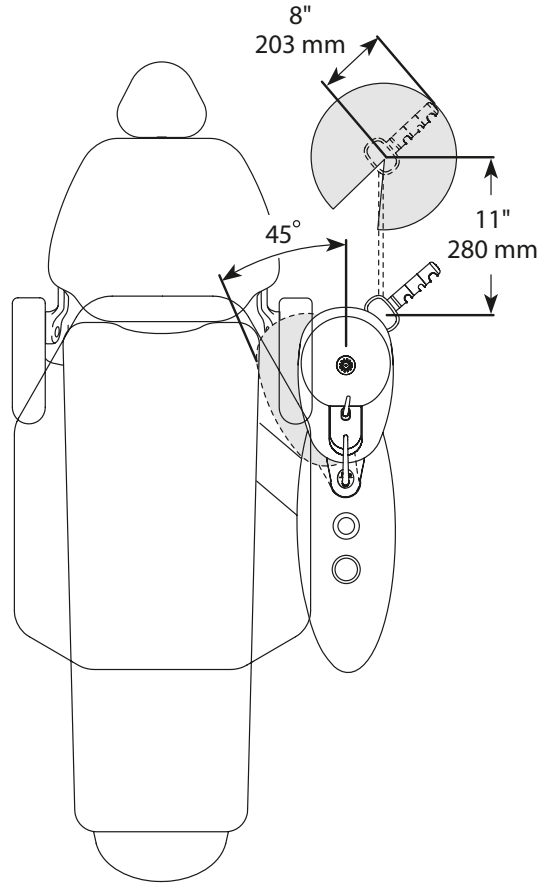
A-DEC 200 DELIVERY SYSTEM



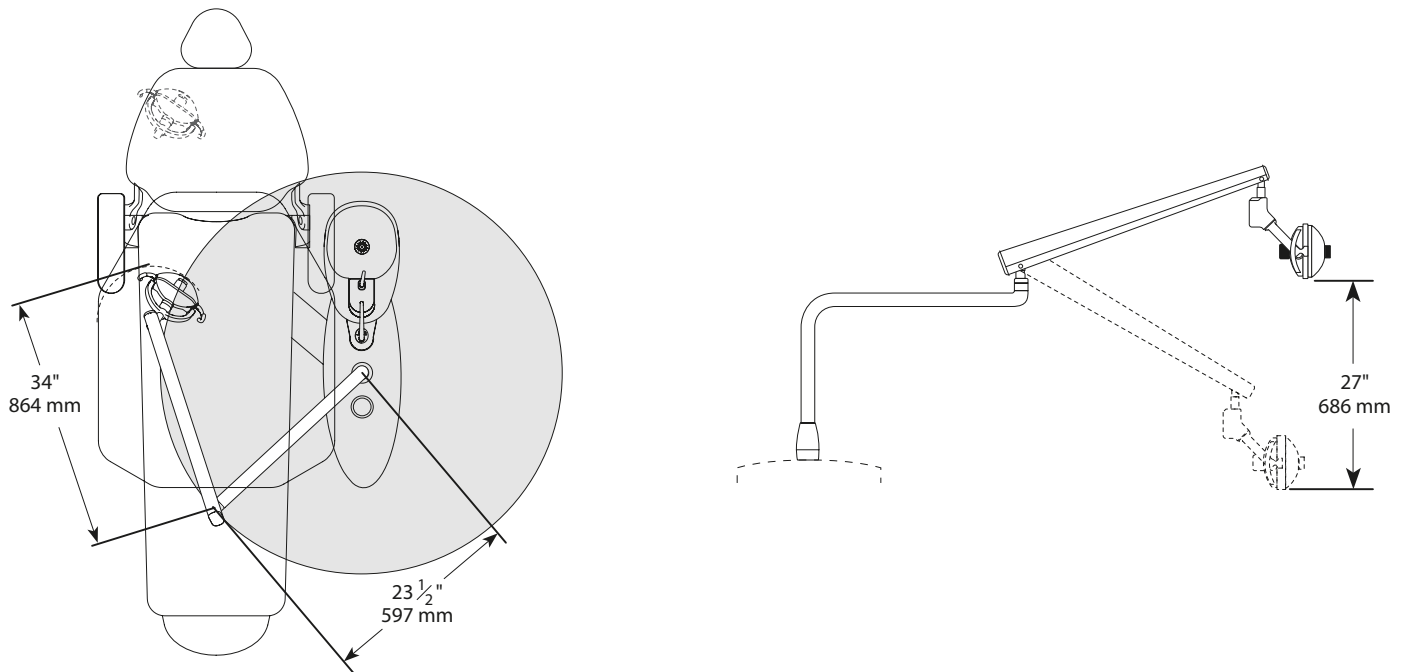
Lorem ipsum

A-dec 200

A-DEC 200 CHAIR WITH SUPPORT CENTER, CUSPIDOR, AND ASSISTANT'S INSTRUMENTATION

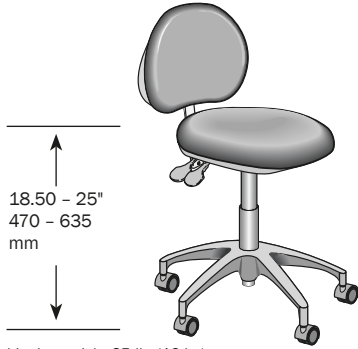


A-DEC 200 DENTAL LIGHT



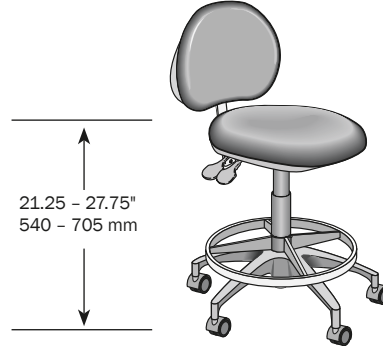
A-dec Stools

A-DEC 421 DOCTOR'S STOOL



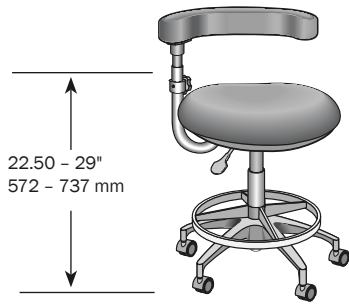
Estimated shipping weight 35 lb. (16 kg)

A-DEC 422 ASSISTANT'S STOOL



Estimated shipping weight 44 lb. (20 kg)

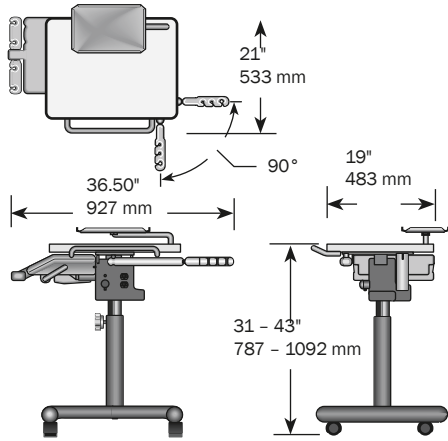
A-DEC 422 ASSISTANT'S STOOL



Estimated shipping weight 44 lb. (20 kg)

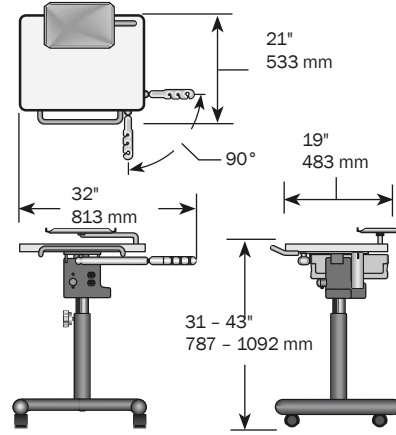
A-dec Cart Delivery System

CASCADE 2671 DUO CART DELIVERY SYSTEM



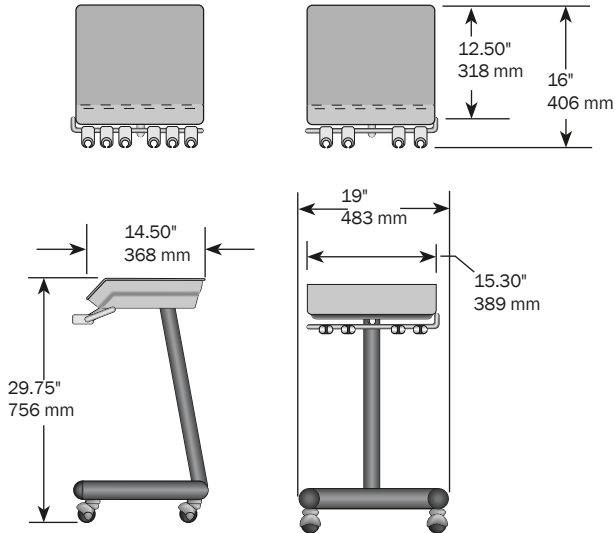
Estimated shipping weight 117 lb. (53 kg)

CASCADE 2615 ASSISTANT'S CART



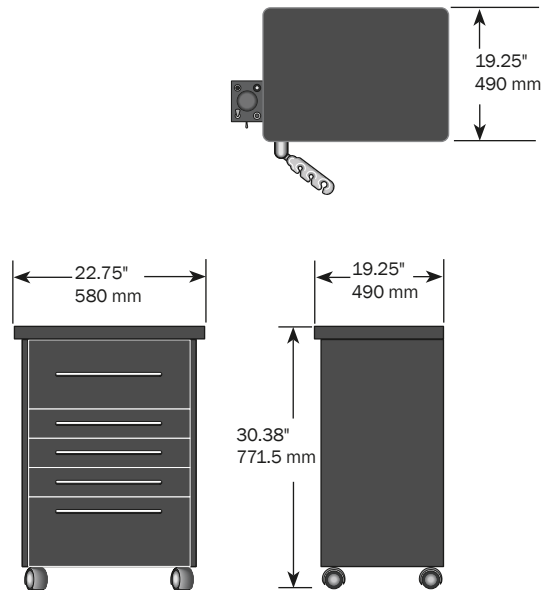
Estimated shipping weight 100 lb. (45 kg)

DECADE 2561 DUO AND 2562 DOCTOR'S CARTS



Estimated shipping weight 60 lb. (27 kg)

5744 OREGON CART

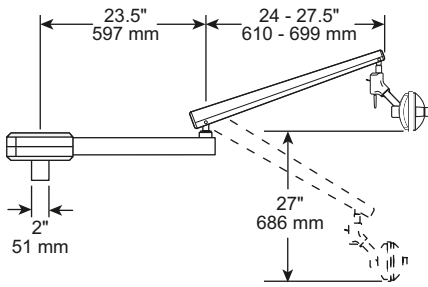


Estimated shipping weight 115 lb. (52.2 kg)

A-dec Dental Light

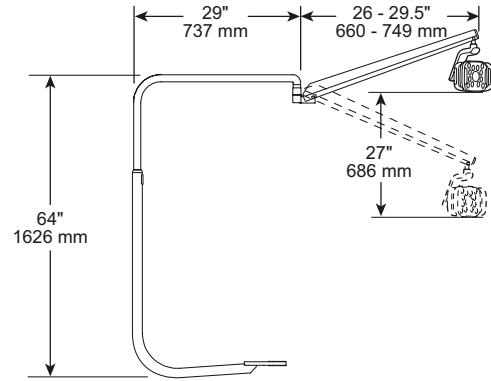
(LED Head shown where available)

CHAIR-MOUNT LIGHTS



Post-Mount Light

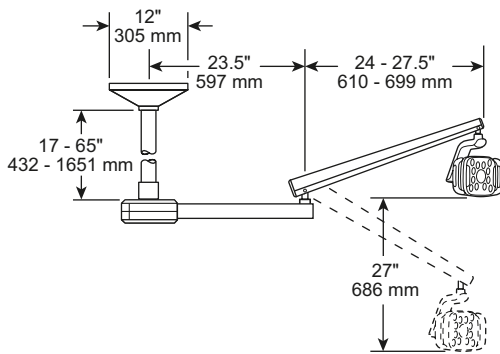
Estimated shipping weight 38 lb. (17 kg)



Radius Light

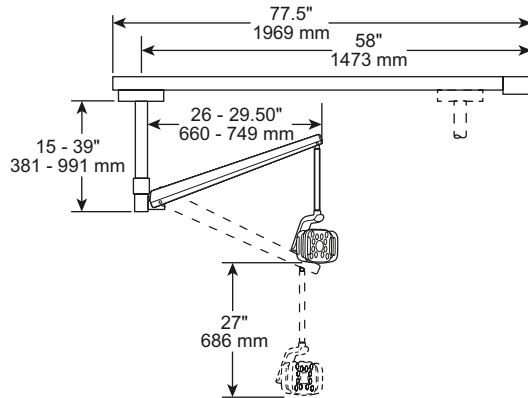
Estimated shipping weight 30 lb. (14 kg)

CEILING-MOUNT AND TRACK-MOUNT LIGHTS



Ceiling-Mount Light

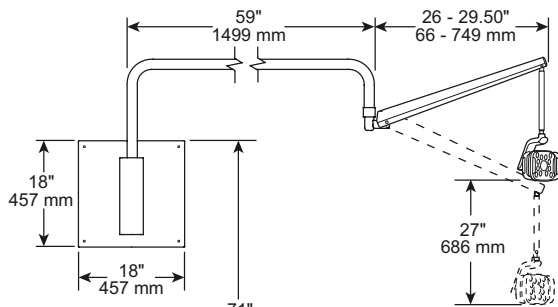
Estimated shipping weight 44 lb. (20 kg)



Track-Mount Light

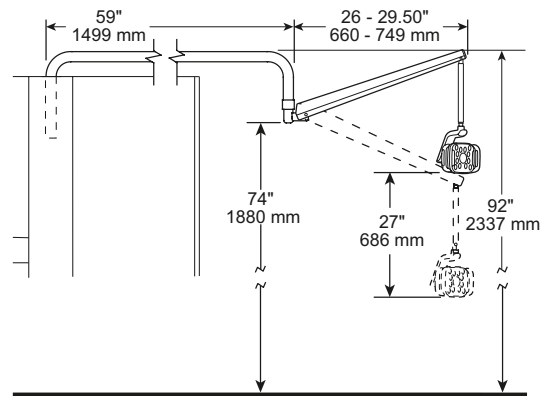
Estimated shipping weight 54 lb. (25 kg)

WALL- OR CABINET-MOUNT LIGHTS



Wall-Mount Light

Estimated shipping weight 50 lb. (23 kg)

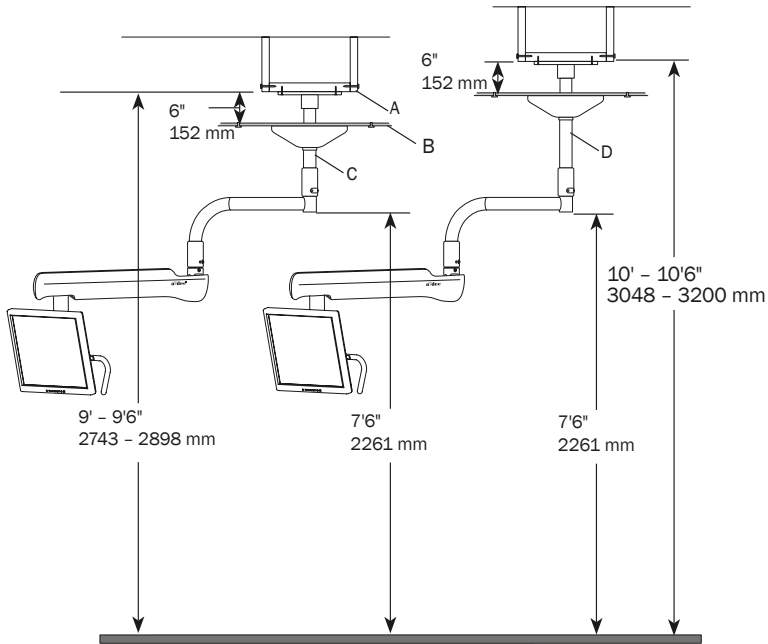


Preference-Mount Light

Estimated shipping weight 50 lb. (23 kg)

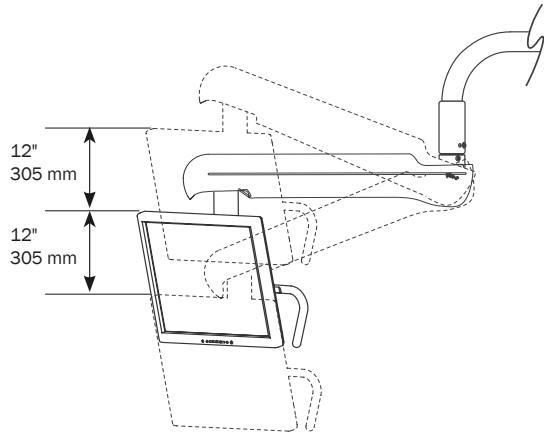
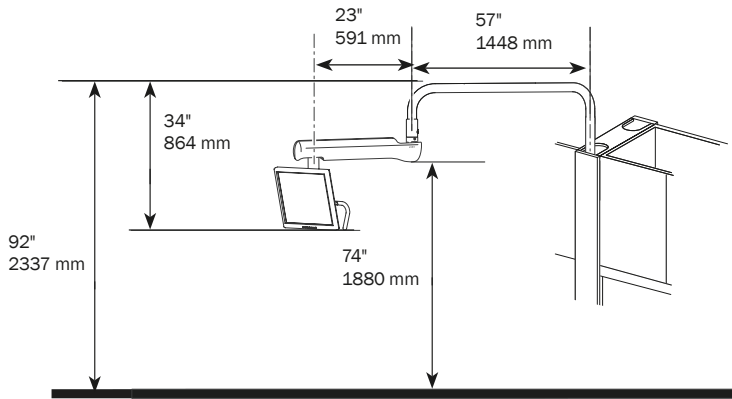
A-dec Monitor Mounts

586 MONITOR MOUNT



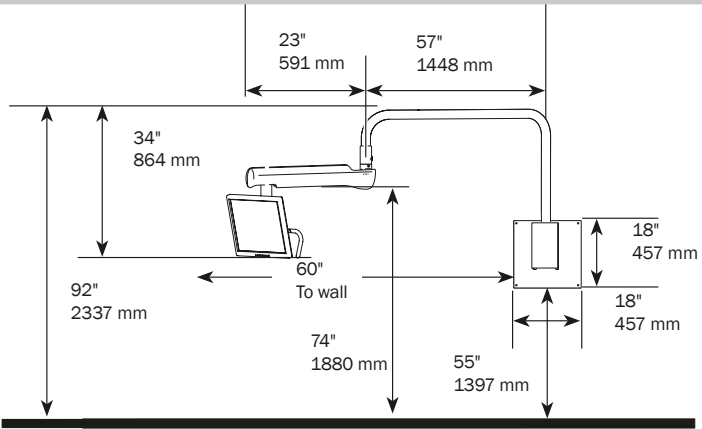
A-Support Structure; B-False Ceiling; C-Short Post (14³/₈" [365 mm]);
D-Long Post (26³/₈" [670 mm])

584 MONITOR MOUNT



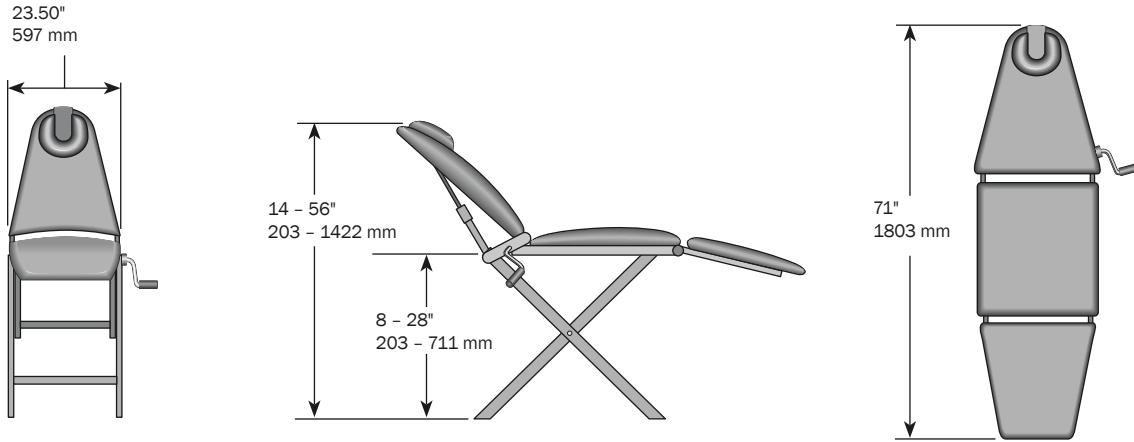
A-dec Monitor Mounts

585 MONITOR MOUNT

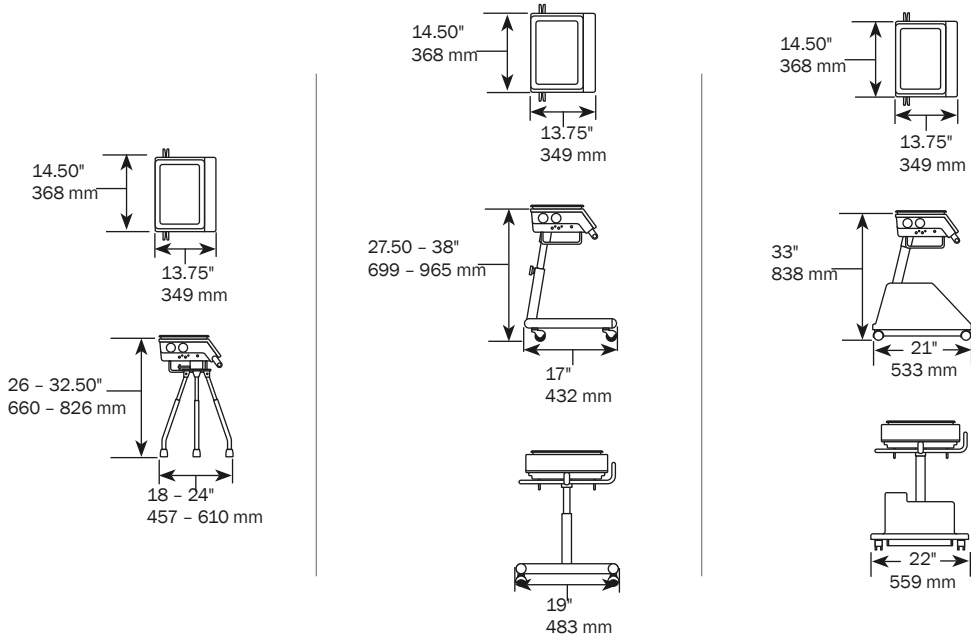


A-dec Portable Chair and Delivery Systems

PORTA-CHAIR 3460



PORTABLE DELIVERY SYSTEMS



Pac 1 Field Unit

Pac 1 Institutional Unit

Pac 1 Self-Contained Unit

Part Number Index

Part Number	Page	Part Number	Page	Part Number	Page	Part Number	Page
0.01905510	135	24.0234.01	17, 20, 23, 26, 91, 93	41.0407.00	125	54.0291.00	17, 20, 24, 27, 28, 30, 33, 52, 56, 58, 59, 60, 69, 144, 156
0.02752500	135	024.246.01	124	41.0408.00	125	54.0294.00	18, 21, 24, 53, 56, 69, 149, 157
0.04059400	135	24.0471.00	126	41.0413.00	125	54.0311.00	27, 149
11.0210.00	135	24.0474.00	124	41.0413.01	124	54.0392.00	18, 21, 24, 27, 53, 56, 69, 148, 157
11.1009.00	135	24.0475.00	124	41.0414.00	125	54.0393.00	18, 21, 24, 27, 53, 56, 69, 148, 157
11.1025.14	136	026.062.00	17, 20, 23, 26, 31, 33, 35, 41, 52, 55, 58, 62, 68, 82, 91, 93, 158	41.0416.00	124	54.0406.00	18, 21, 24, 27, 53, 57, 70, 146, 157
11.1127.02	136	026.130.00	137	41.0417.00	124	54.0421.00	18, 21, 24, 27, 53, 56, 69, 148, 157
11.1147.00	135	026.134.00	137	041.554.00	127	54.0422.00	18, 21, 24, 27, 53, 56, 69, 148, 157
11.1286.01	136	026.158.00	17, 20, 23, 26, 31, 33, 35, 41, 52, 55, 58, 62, 68, 82, 91, 93, 158	041.555.00	127	54.0437.01	17, 20, 23, 27, 52, 56, 69, 143, 156
11.1287.01	136	28.1030.01	102	041.582.00	125	54.0438.00	143
11.1288.01	136	28.1262.01	102	041.637.00	127	54.0442.00	143
11.1292.01	136	28.1263.01	102	041.637.02	127	54.0443.00	143
11.1293.01	136	28.1264.00	67	041.637.04	127	54.0446.00	143
11.1294.01	136	28.1276.00	67	041.637.05	127	54.0446.01	17, 20, 23, 52, 56, 69, 143, 156
11.1296.01	136	28.1435.00	91, 128	041.637.06	127	54.0447.00	143
11.1305.01	136	28.1436.00	91, 128	41.1317.00	125	54.0447.01	27, 143
11.1307.01	136	28.1479.00	23, 30, 128	41.1454.00	125	54.0471.00	18, 21, 24, 27, 53, 56, 69, 148, 157
11.1315.00	136	28.1480.00	23, 30, 91, 128	41.1454.01	125	54.0472.00	18, 21, 24, 27, 53, 56, 69, 148, 157
11.1335.00	136	28.1481.00	23, 30, 91, 128	41.1455.00	93, 125	54.0474.00	17, 20, 24, 27, 28, 30, 33, 52, 56, 58, 59, 60, 69, 144, 156
11.1355.00	136	28.1802.00	109	41.1456.00	91, 125	54.0478.00	141
11.1356.00	136	28.1810.00	97, 99	41.1456.01	124	54.0479.03	17, 20, 23, 27, 52, 56, 69, 156
11.1359.00	136	28.1810.01	97, 99	41.1457.00	124	54.0480.03	17, 20, 23, 27, 52, 56, 69, 156
12.0796.00	118	28.1810.02	97, 99	41.1458.00	125	54.0493.00	141
12.0910.13	136	28.1810.03	97, 99	41.1464.02	124	54.0494.00	141
12.1227.01	136	28.1810.04	97, 99	41.1467.01	124	54.0495.00	141
12.1228.01	136	28.1810.05	97, 99	41.1477.00	17, 20, 23, 26, 58, 62, 68	54.0496.00	141
12.1231.01	136	28.1810.06	97, 99	41.1477.01	82	54.0497.00	17, 20, 23, 52, 56, 69, 141, 156
12.1232.01	136	28.1810.07	97, 99	41.1483.01	17, 20, 33, 35, 41	54.0498.00	27, 141
12.1235.01	136	28.1810.08	97, 99	41.1490.01	28, 31, 124	54.0580.00	18, 21, 24, 27, 53, 57, 70, 146, 157
12.1236.01	136	28.1817.00	98, 100	41.1491.01	23, 124	54.0581.00	18, 21, 24, 27, 53, 57, 70, 146, 157
12.1237.01	136	28.1817.01	98, 100	41.1506.01	15, 40, 124	54.0582.00	18, 21, 24, 53, 57, 70, 146, 157
12.1238.01	136	28.1817.02	98, 100	41.1507.00	124	54.0583.00	27, 146
12.1239.01	136	28.1817.03	98, 100	41.1519.00	33, 35, 41	54.0584.00	18, 21, 24, 27, 53, 56, 69, 149, 157
12.1246.00	157	28.1817.04	98, 100	41.1521.00	33, 41	54.0601.01	17, 20, 23, 27, 52, 56, 69, 143, 156
12.1257.00	136	28.1826.01	84	41.1522.00	33, 41	54.0602.00	143
12.1258.00	136	28.1924.00	98	41.1540.00	48, 124	54.0603.01	143
013.064.01	130	28.1925.00	98	42.0572.00	118	54.0604.01	143
14.0010.00	118	28.1976.00	102	043.001.00	81, 132	54.0605.00	143
14.0416.00	118	30.0855.00	91	043.006.00	132	54.0605.01	17, 20, 23, 52, 56, 69, 143, 156
14.0464.02	35, 41	35.1741.00	62	43.0035.00	15	54.0606.00	143
14.0471.00	58	35.1742.00	62	43.0036.00	15	54.0606.01	27, 143
17.0807.02	91, 118	35.1743.00	62	43.0093.00	129	61.2265.01	123
17.1047.00	132	38.0631.00	91, 118	43.0095.00	129	61.3125.01	67
23.1011.00	130	38.0648.00	138	43.0259.00	23, 26, 30, 62, 128	62.0163.01	15, 40, 48, 67, 80
23.1015.00	130	38.0825.00	52, 55, 68, 91	43.0260.00	23, 26, 30, 62, 128	62.0631.00	123
23.1067.00	130	38.1821.00	52, 55, 126	43.0261.00	23, 26, 30, 62, 128		
23.1090.00	130	38.1829.00	17, 20, 126	43.0328.01	129		
23.1096.00	130	38.1829.01	23, 26, 126	43.0329.00	129		
23.1110.00	130	38.1834.00	52, 55, 68, 126	45.0392.00	119		
23.1112.00	130	38.1838.00	52, 55, 126	45.0438.00	118		
23.1193.01	130	38.1838.00	52, 55, 126	45.0445.00	118		
23.1232.01	130	38.1862.00	52, 55, 68, 81, 126	45.0447.00	118		
23.1277.00	130	38.1871.00	17, 20, 52, 55, 68, 81, 126	45.0465.00	118		
23.1278.00	130	38.1871.01	91, 126	45.1253.117	119		
23.1290.01	20, 23, 26, 56, 69	38.1871.02	52, 55, 126	45.1268.00	118, 128		
23.1291.01	17, 52, 130	38.1871.03	23, 26, 126	54.0185.00	144		
23.1294.01	28, 30, 59-60, 130	38.1889.00	91, 118, 126	54.0202.00	146		
23.1302.00	82, 130	38.1890.00	91, 118, 126	54.0226.00	149		
23.1303.00	130	39.0790.02	132	54.0228.00	149		
23.1303.00	20, 23, 26, 28, 30, 33, 56, 59, 60, 69, 91, 93, 118	41.0016.02	125	54.0263.00	18, 21, 24, 27, 53, 56, 69, 148, 157		
23.1305.00	17, 52, 130	41.0034.00	125	54.0264.00	18, 21, 24, 27, 53, 56, 69, 148, 157		
23.1306.01	33, 58, 130	041.317.00	134				
23.1311.00	71, 130						
23.1314.00	130						
23.1314.01	130						
23.1362.00	58, 130						

Part Number Index

Part Number	Page	Part Number	Page	Part Number	Page	Part Number	Page
62.0853.00	123	77.1301.00	62	90.1495.00	131		
62.0890.13	80	77.1308.00	109	90.1508.00	113		
62.0890.32	80	77.1323.00	85	90.1509.00	113		
62.0890.33	80	77.1378.00	75	90.1546.00	126		
62.0890.37	80	77.1421.00	67	90.1566.00	71, 82		
62.0890.41	80	77.1459.01	82	98.0012.02	134		
62.0890.46	80	77.1460.01	82	98.1033.01	91, 118		
62.0890.98	80	77.1461.01	82	98.1034.01	91, 118		
62.0890.118	80	77.1462.04	81	98.1035.01	91, 118		
62.0891.13	80	77.1618.04	81	98.1036.01	91, 118		
62.0891.32	80	77.1619.04	81	98.1086.00	17, 20, 23, 52,		
62.0891.33	80	77.1620.04	81	56, 69, 134, 156		
62.0891.37	80	83.0428.01	158	98.1087.00	17, 20, 23, 52,		
62.0891.41	80	83.0542.01	158	56, 69, 134, 156		
62.0891.46	80	83.0621.00	158	98.1088.00	17, 20, 23, 52,		
62.0891.98	80	83.0679.01	158	56, 69, 134, 156		
62.0891.118	80	83.0687.01	156	98.1089.00	17, 20, 23, 52,		
70.1054.01	81	83.0694.01	158	56, 69, 134, 156		
76.2025.00	82, 137	83.0723.01	158	98.1093.00	52, 56, 69,		
76.2030.00	82, 137	90.0370.00	137	91, 118		
77.0291.02	17, 138	90.1012.00	128	98.1094.00	52, 56, 69,		
77.0297.01	17, 20, 23, 131	90.1064.00	150	91, 118, 134		
77.0350.01	109, 133	90.1065.00	150	98.1095.00	52, 56, 69,		
77.0351.01	109, 133	90.1073.00	128	91, 118, 134		
77.0462.01	26, 30, 133	90.1074.00	128	98.1096.00	52, 56, 69,		
77.0543.01	26, 30, 133	90.1075.00	128	91, 118, 134		
77.0614.00	151	90.1078.01	131	98.1106.00	26, 134		
77.0615.00	151	90.1080.00	17, 20, 23, 26, 30,	98.1107.00	26, 134		
77.0616.00	151	52, 55, 62, 68, 127	98.1108.00	26, 134		
77.0617.00	151	90.1088.01	33, 35, 41,	98.1109.00	26, 134		
77.0618.00	151	58, 124	99.0584.00	91, 118		
77.0619.00	151	90.1091.00	123	99.0618.00	144		
77.0707.00	26, 129	90.1091.01	40, 123	99.0619.00	144		
77.0708.00	30, 129	90.1097.00	26, 30, 137	99.0653.01	144		
77.0919.00	138, 144	90.1098.00	26, 30, 137	99.0653.03	27, 28, 30, 33,		
77.0921.00	62	90.1127.01	26, 131	58, 59, 60, 144		
77.0922.00	62	90.1128.01	28, 30, 131	99.0681.00	144		
77.0923.00	62	90.1129.00	129	99.0681.01	138, 144		
77.0932.00	55, 68, 133	90.1133.01	131	99.0684.01	138		
77.0933.00	55, 68, 133	90.1134.01	131	99.0705.00	144		
77.0941.01	59, 60, 62	90.1135.01	131	99.0705.01	28, 31, 138, 144		
77.0942.00	51, 133	90.1166.00	62, 137	99.0706.01	28, 31, 138		
77.0943.00	51, 133	90.1168.00	52, 56, 69, 127	99.0707.01	28, 31, 138		
77.0980.00	26, 129	90.1171.00	158	99.1136.00	102		
77.0981.00	30, 129	90.1179.00	128				
77.1019.00	82, 124	90.1180.00	128				
77.1020.00	33, 35, 97, 99, 109	90.1184.00	58, 59, 60, 131				
77.1023.00	20, 23, 133	90.1185.00	131				
77.1023.01	17, 133	90.1189.00	62				
77.1024.00	20, 23, 133	90.1196.00	52, 56, 69, 131				
77.1024.01	17, 133	90.1197.00	52, 56, 69, 131				
77.1029.00	35, 97, 99, 109	90.1205.00	52, 138				
77.1115.04	81	90.1238.00	156				
77.1117.04	81	90.1241.00	156				
77.1118.04	81	90.1242.00	156				
77.1119.01	82	90.1244.00	158				
77.1120.01	82	90.1249.00	156				
77.1121.01	82	90.1252.00	156				
77.1136.00	82	90.1261.00	156				
77.1165.00	51, 55, 97, 99, 109	90.1263.00	157				
77.1183.04	81	90.1281.00	52, 55				
77.1203.00	109	90.1285.00	81				
77.1203.01	109	90.1287.00	71, 82				
77.1203.02	109	90.1359.00	91, 118, 127				
77.1203.03	109	90.1360.00	127				
77.1239.00	23, 129	90.1382.00	127				
77.1240.00	23, 129	90.1422.00	41				
77.1256.00	33	90.1451.00	55, 68				

Identifier Index

Identifier	Page	Identifier	Page	Identifier	Page	Identifier	Page
V0001.0001	15	V0043.0011	18, 21, 24, 27,	V0080.0001	52, 55	V0158.0004	18, 21, 24, 27,
V0001.0002	15		53, 56, 69, 157	V0080.0003	55, 68		53, 57, 70, 157
V0001.0004	15	V0053.0003	17, 20, 23, 27,	V0083.0001	67	V0158.0005	18, 21, 24, 27,
V0001.0005	67		52, 56, 69, 156	V0083.0003	48		53, 57, 70, 157
V0001.0006	67	V0053.0004	17, 20, 23, 27,	V0083.0004	113	V0164.0001	158
V0003.0005	62		52, 56, 69, 156	V0086.0003	52, 56, 69,	V0169.0001	17, 20, 23, 26,
V0003.0008	26, 30	V0053.0005	17, 20, 23, 27,		91, 118		30, 52, 55, 62, 68
V0003.0009	26, 30		52, 56, 69, 156	V0086.0005	156	V0195.0005	91
V0004.0014	28, 30, 33,	V0053.0006	17, 20, 23, 27,	V0087.0001	91, 93	V0195.0006	91
	58, 59, 60		52, 56, 69, 156	V0087.0003	28, 30, 33,	V0195.0016	48
V0004.0050	28, 30, 33,	V0055.0001	26, 30		58, 59, 60	V0195.0023	55
	58, 59, 60	V0055.0003	26, 30	V0088.0001	17, 20, 23,	V0195.0026	51
V0005.0001	28, 31	V0055.0006	51, 55		26, 91, 93	V0195.0029	55
V0005.0002	28, 31	V0055.0009	51, 55	V0089.0012	97, 99	V0195.0032	51
V0005.0007	28, 31	V0055.0013	93	V0089.0013	97, 98, 99, 100	V0195.0034	118
V0006.0008	28	V0055.0021	158	V0089.0014	97, 99	V0195.0035	118
V0007.0002	28, 30	V0055.0022	158	V0089.0015	97, 99	V0195.0036	118
V0007.0004	58, 59, 60	V0055.0024	158	V0089.0016	97, 99	V0195.0039	58
V0019.0002	118	V0055.0028	51, 55	V0089.0017	97, 98, 99, 100	V0195.0050	59
V0021.0001	118	V0055.0038	51, 55	V0089.0018	97, 98, 99, 100	V0195.0064	60
V0022.0001	118	V0055.0044	158	V0089.0019	97, 98, 99, 100	V0195.0079	75, 109
V0022.0002	118	V0060.0001	26	V0089.0020	97, 98, 99, 100	V0195.0081	109
V0023.0001	156	V0060.0002	23	V0090.0001	33, 35, 97,	V0195.0083	40
V0024.0001	156	V0060.0003	23		99, 109	V0195.0086	156
V0030.0001	33	V0060.0004	26	V0090.0002	33	V0195.0087	156
V0030.0004	33	V0060.0005	23, 26, 30,	V0091.0001	35, 97, 99, 109	V0195.0089	41
V0030.0007	23		62, 156	V0094.0001	97, 99	V0195.0094	75, 109
V0030.0008	23	V0060.0006	23, 26, 30,	V0094.0003	99	V0195.0096	15
V0032.0002	114		62, 91, 156	V0100.0001	41	V0195.0099	20
V0032.0003	113, 114	V0060.0007	23, 26, 30,	V0100.0003	41	V0195.0101	17
V0032.0004	113		62, 91, 156	V0100.0004	58	V0195.0103	26
V0035.0001	40	V0060.0009	23, 30, 91, 156	V0101.0004	91, 118	V0195.0106	23
V0035.0002	40	V0060.0010	23, 30, 91, 156	V0101.0005	156	V0195.0125	30
V0036.0003	17, 20, 23, 26	V0060.0011	23, 30, 156	V0101.0006	52, 56, 69	V0195.0146	33
V0036.0006	52, 56, 69	V0060.0015	30	V0102.0003	52	V0195.0180	74, 84, 97
V0036.0007	52, 56, 69	V0060.0016	30	V0102.0004	17	V0195.0186	74, 97
V0036.0008	156	V0060.0020	118	V0103.0002	157	V0195.0196	102
V0036.0009	23, 26	V0060.0021	118	V0104.0002	158	V0195.0198	93
V0037.0003	91	V0062.0002	23, 26, 31, 33,	V0105.0005	93	V0195.0199	93
V0040.0001	15, 40, 48		52, 55, 58, 68, 158	V0105.0016	93	V0195.0200	93
V0040.0002	40	V0062.0003	23, 26, 31, 33,	V0105.0082	71	V0195.0201	93
V0040.0006	93		52, 55, 58, 68, 158	V0111.0001	62	V0195.0202	93
V0040.0011	93	V0062.0006	17, 20, 35, 41,	V0111.0002	62	V0195.0203	97
V0040.0013	91		62, 91, 93	V0111.0010	35	V0195.0204	97
V0040.0014	23, 28, 31	V0062.0007	17, 20, 35, 41,	V0112.0001	59, 60, 62	V0195.0205	97
V0040.0018	67		62, 91, 93	V0113.0001	33, 35, 41, 58, 62	V0195.0206	98
V0041.0002	52, 55, 68,	V0070.0006	17, 20, 23, 109	V0114.0001	62	V0195.0215	158
	91, 118	V0070.0007	17, 20, 23, 109	V0116.0001	35, 41	V0195.0219	109
V0041.0003	52, 55, 68,	V0070.0008	26, 30	V0116.0002	58	V0195.0221	109
	91, 118	V0070.0009	26, 30	V0116.0003	118	V0195.0222	109
V0041.0004	17, 20, 23, 26	V0070.0010	51, 55, 68	V0117.0001	33, 35	V0195.0223	109
V0041.0006	17, 20, 23, 26	V0070.0011	51, 55, 68	V0117.0003	41	V0195.0226	93
V0041.0007	52, 55, 68, 91	V0070.0012	156	V0117.0004	41	V0195.0240	35
V0042.0002	15, 40, 48, 67	V0070.0014	118	V0118.0002	102	V0195.0241	55
V0043.0002	18, 21, 24, 27,	V0071.0002	17, 20	V0118.0003	102	V0195.0242	62
	53, 56, 69, 157	V0071.0004	91	V0118.0004	102	V0195.0243	62
V0043.0005	18, 21, 24, 27,	V0071.0005	91	V0118.0005	102	V0195.0244	114
	53, 56, 69, 157	V0071.0007	33, 35	V0118.0008	109	V0195.0245	114
V0043.0006	18, 21, 24, 27,	V0071.0008	91	V0118.0010	102	V0195.0246	113
	53, 56, 69, 157	V0071.0009	91	V0118.0013	158	V0195.0247	113
V0043.0007	18, 21, 24, 27,	V0075.0013	15, 40, 48	V0127.0001	91	V0195.0249	67
	53, 56, 69, 157	V0075.0014	15, 40, 48, 67	V0128.0002	17, 20, 23, 26,	V0195.0250	68
V0043.0008	18, 21, 24, 27,	V0077.0003	157		52, 56, 69	V0195.0251	72
	53, 56, 69, 157	V0077.0004	157	V0141.0002	158	V0195.0252	71
V0043.0009	18, 21, 24, 27,	V0077.0005	157	V0144.0002	91, 118	V0195.0253	74, 84, 99
	53, 56, 69, 157	V0077.0006	157	V0156.0001	17, 20, 23, 26,	V0195.0254	74, 99
V0043.0010	18, 21, 24, 27,	V0078.0002	157		58, 62, 68, 91	V0195.0259	99
	53, 56, 69, 157	V0079.0001	52, 55, 68, 91			V0195.0260	99

Identifier Index

Identifier	Page	Identifier	Page	Identifier	Page	Identifier	Page
V0195.0261.....	99	V0267.0078..	18, 21, 24, 53,	VC0463.0219	123		
V0195.0262	100	57, 70, 157	VC0463.0220	123		
V0195.0263	158	V0267.0079..	18, 21, 24, 53,	VC0463.0225	123		
V0196.0001... 18, 21, 24, 27,		57, 70, 157	VC0463.0227	123		
..... 53, 57, 70, 157		V0267.0080.....	17, 20, 23,	VC0463.0230	123		
V0200.0001	71	52, 56, 69, 156				
V0200.0002	28, 30, 33,	V0267.0081.....	27				
..... 58, 59, 60		118				
V0200.0006	60	V0281.0002	118				
V0200.0007	71	V0283.0001	91				
V0201.0002	118	V0283.0004	118				
V0267.0001.. 17, 20, 23, 26,		V0300.0002	109				
..... 52, 56, 69, 156		V0334.0002	26, 30				
V0267.0002.. 17, 20, 23, 26,		V0334.0003	26, 30				
..... 52, 56, 69, 156		V0334.0004	26, 30				
V0267.0003.. 17, 20, 23, 26,		V0334.0069	93				
... 28, 30, 33, 58, 59, 60, 91		V0334.0070	93				
V0267.0004.. 17, 20, 23, 26,		V0334.0071.....	93				
..... 52, 56, 69		V0334.0091	156				
V0267.0005.. 17, 20, 23, 26,		V0402.0002 . 28, 30, 33, 58,					
..... 52, 56, 69, 91, 118	 59, 60, 157					
V0267.0006.. 17, 20, 23, 26,		V0403.0001	28, 30, 33,				
..... 52, 56, 69, 156	 58, 59, 60					
V0267.0008.. 18, 21, 24, 53,		V0404.0002	30				
..... 56, 69, 157		V0406.0001	158				
V0267.0014... 17, 20, 24, 27,		V0407.0001.....	156				
..... 52, 56, 69, 156		V0407.0003.....	156				
V0267.0015.. 17, 20, 23, 26,		V0407.0004.....	156				
..... 52, 56, 69, 156		V0407.0006.....	156				
V0267.0017.....	91, 118	V0408.0006	71				
V0267.0018.....	91, 118	V0408.0007	71				
V0267.0019.....	91, 118	V0409.0002	158				
V0267.0020.....	91, 118	V0409.0003	74, 84, 99				
V0267.0025.....	157	V0460.0055	157				
V0267.0028..... 52, 56, 69,		V0460.0057	157				
..... 91, 118		V0462.0001 . 27, 28, 30, 33,					
V0267.0029..... 52, 56, 69,	 58, 59, 60					
..... 91, 118		V0474.0001.....	113				
V0267.0030..... 52, 56, 69,		V0475.0001.....	113				
..... 91, 118		V0490.0002	71				
V0267.0031..... 52, 56, 69,		VC0009.0001	123				
..... 91, 118		VC0009.0002	123				
V0267.0033.....	156	VC0013.0001	123				
V0267.0041.. 17, 20, 23, 52,		VC0013.0002	123				
..... 56, 69, 156		VC0035.0001	123				
V0267.0044..... 28, 30, 33,		VC0035.0002	123				
..... 58, 59, 60		VC0035.0004	123				
V0267.0049.. 17, 20, 23, 52,		VC0035.0005	123				
..... 56, 69, 156		VC0075.0014	123				
V0267.0050... 17, 20, 24, 27,		VC0463.0007	123				
..... 52, 56, 69, 156		VC0463.0010	123				
V0267.0051.....	157	VC0463.0011	123				
V0267.0052.....	157	VC0463.0024	123				
V0267.0054.....	157	VC0463.0027	123				
V0267.0061..... 28, 30, 33,		VC0463.0166	123				
..... 58, 59, 60		VC0463.0167	123				
V0267.0064.....	27	VC0463.0189	123				
V0267.0065.....	27	VC0463.0192	123				
V0267.0067.....	27	VC0463.0195	123				
V0267.0072.. 18, 21, 24, 53,		VC0463.0198	123				
..... 57, 70, 157		VC0463.0200	123				
V0267.0073.....	27	VC0463.0205	123				
V0267.0074.. 18, 21, 24, 53,		VC0463.0206	123				
..... 56, 69, 157		VC0463.0207	123				
V0267.0075.....	27	VC0463.0210	123				
V0267.0076.....	27	VC0463.0211	123				
V0267.0077.....	27	VC0463.0212	123				

Alphabetical Index

- 25-watt power supply 128
60-watt power supply 128
300 Delivery Systems: Getting Started... 49
300 Touchpad Options 50
300-watt power supply 128
311 Dental Chair 48
332/334/336
 Traditional Delivery Systems 54-57
333/335
 Continental Delivery Systems 51-53
351 Assistant's Instrumentation 58
352 Assistant's Instrumentation 59
353 Assistant's Instrumentation 60
362/363 Cuspidor and
 Support Center 61-62
411 Dental Chair 40
461 Cuspidor and Support Center 41
500 Options 36
511 Dental Chair 15
532 Traditional Delivery System 19-21
533 Continental Delivery System 16-18
541 12 O'Clock Duo Delivery System 25-28
542 Side Delivery System 22-24
545 12 O'Clock
 Assistant's Instrumentation 29-31
551 Assistant's Instrumentation 32-33
561 Cuspidor and Support Center 34-35
3460 Porta-Chair 119
5744 Oregon Cart 92-93
- A**
Accessory holder 144
A-dec 200 Doctor's stool 85
A-dec 300 LED dental light 99-100
A-dec 500 LED dental light 97-98
A-dec 532 Traditional delivery system ... 19
A-dec 533 Continental delivery system... 16
A-dec 542 side delivery system 22
A-dec relay module 127
Assistant's stool 113-114
Autoclavable QD HVE 135
- B**
Bitewing viewer 81
- C**
Cascade unitized 3-position holder 144
Control module 142-143
- D**
Data board 127
Data cables 127
Data Cables 127
Decade 2561 duo and
 2562 Doctor's cart 90-91
- Dental lights**
200 dental light 84
371L-200 dental light 84
371L dental light 99
372L dental light 99
374L dental light 99
375L dental light 99
376L dental light 99
377L dental light 100
378L dental light 158
571L-200 dental light 84
571L dental light 97
572L dental light 97
573L dental light 102
574L dental light 97
575L dental light 97
576L dental light 97
577L dental light 98
578L dental light 158
Performer 73-74
Dental light specifications 103
Dentsply Cavitron ultrasonic instrument 147
- Dimensions**
A-dec 200 179-180
A-dec 300 173-178
A-dec 400 169-172
A-dec 500 162-168
A-dec Cart Delivery System 182
A-dec Dental Light 183
A-dec Monitor Mounts 184-185
A-dec Portable Chair and
 Delivery Systems 186
A-dec Stools 181
Doctor's stool 113-114
Dry block conversion kit 138
- E**
EA-53 141
EasyFlex tubing 136
Education/diagnostics, preventive 148-149
Electric handpiece systems,
 restorative 142-143
- F**
Filling, restorative 144
Flex-holder 138, 144
- Floor box**
A-dec 300 124
A-dec 511 124
Stainless steel 124-125
Stainless steel recessed 125
- H**
Handpiece holders and
 whip assemblies 138
- I**
ICV vacuum-line cleaning system 151
ICX® 150
Imaging 148
Intraoral light source 127
- L**
LED light upgrade kit 98
Lower support arm 97, 99
- M**
Monitor mounts
381 light post monitor mount,
 floating 107-108
382 Radius locking
 monitor mount 107-108
482 light post monitor mount with
 arm, floating 107-108
581 support center floating
 monitor mount 107-108
584 central cabinet floating
 monitor mount 107-108
585 wall/side cabinet floating
 monitor mount 107-108
586 ceiling floating monitor
 mount 107-108
Performer monitor mount 75
- N**
NLX nano 142
NLZ 142
- P**
Pac 1 3420 delivery system 117-118
Pac 1 field unit 117
Pac 1 institutional unit 117
Pac 1 self-contained unit 117
Performer 8000 dental chair 67
Performer 8100 Traditional
 delivery system 68-70
Performer 8200 cuspidor and
 support center 72
Performer 8500 Assistant's
 instrumentation 71
Porta-chair 119
Post-mount dental lights 101-102
Posts for post-mount light 102
Power supplies 128
Power supply cables 129
Programmable footswitch 40
- Q**
QD kits 137
- R**
Remote touchpad kit 131
- S**
Satelec Mini LED curing light 144
Satelec ScanWave curing light 144
Simulator 155-158
Sopro diagnostic intraoral cameras 148
Sopro intraoral cameras 148
Support link 97, 99
Syringe 130
- T**
Touchpads 131
Trays 132-133
Treatment of tartar and soft tissue,
 preventive 146-147
Tubing 134, 136
- U**
Upholstery, replacement 123
- V**
Vacuum components 135-136
Vacuum-line cleaning system -
 infection control 151
Vacuum tubing assemblies 136
- W**
Water treatment, infection control 150
Wet/dry foot control 126
Worksurface and countertop options... 159





A-dec Headquarters

A-dec Headquarters
2601 Crestview Drive
Newberg, Oregon 97132 USA

Tel: 1.800.547.1883 within USA/CAN
Tel: +1.503.538.7478 outside USA/CAN
Fax: +1.503.538.0276

a-dec.com

A-dec Australia

Tel: 1.800.225.010 within AUS
Tel: +61.(0)2.8332.4000 outside AUS

A-dec China

Tel: 400.600.5434 within CN
Tel: +86.571.89026088 outside CN

A-dec United Kingdom

Tel: 0800.233285 within UK
Tel: +44.(0)24.7635.0901 outside UK



**SEE INSIDE COVER
FOR DEALER TOOLS!**

